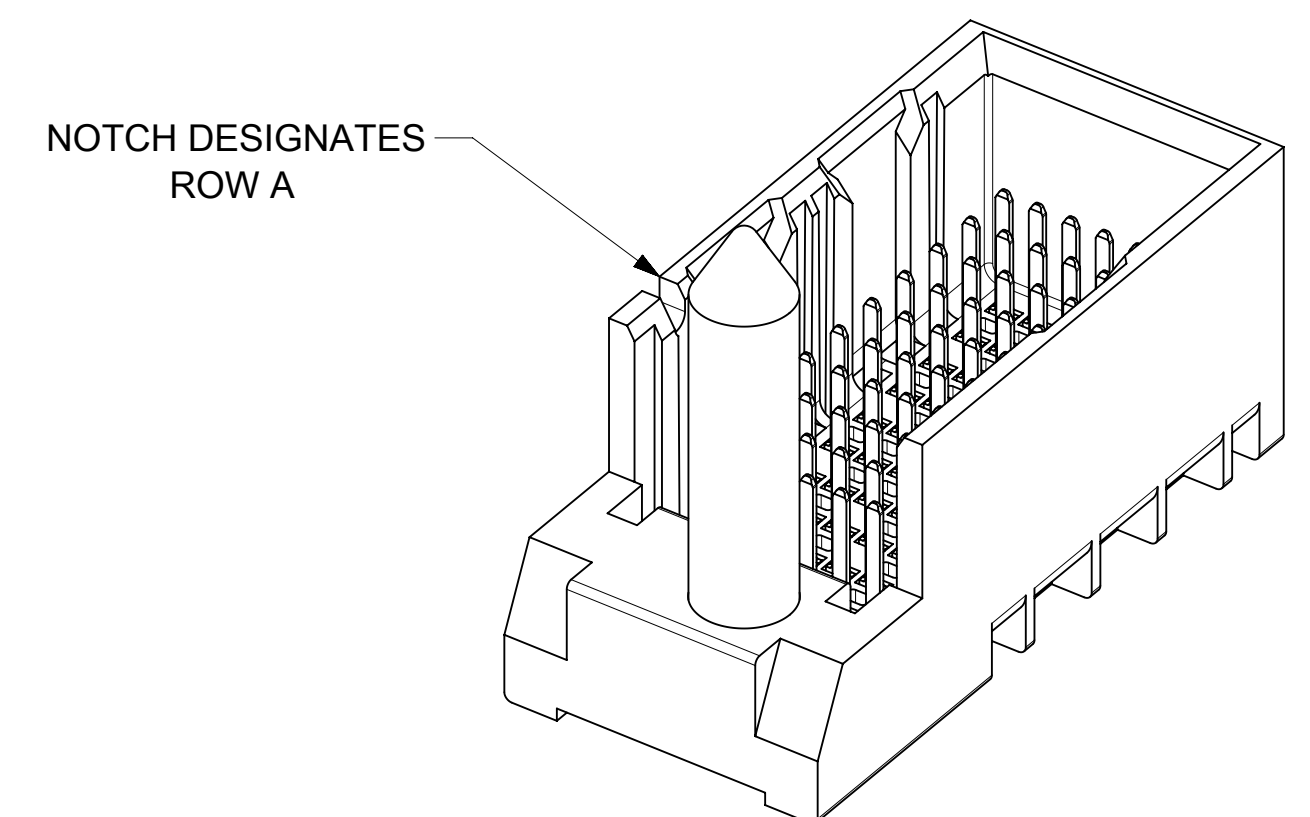
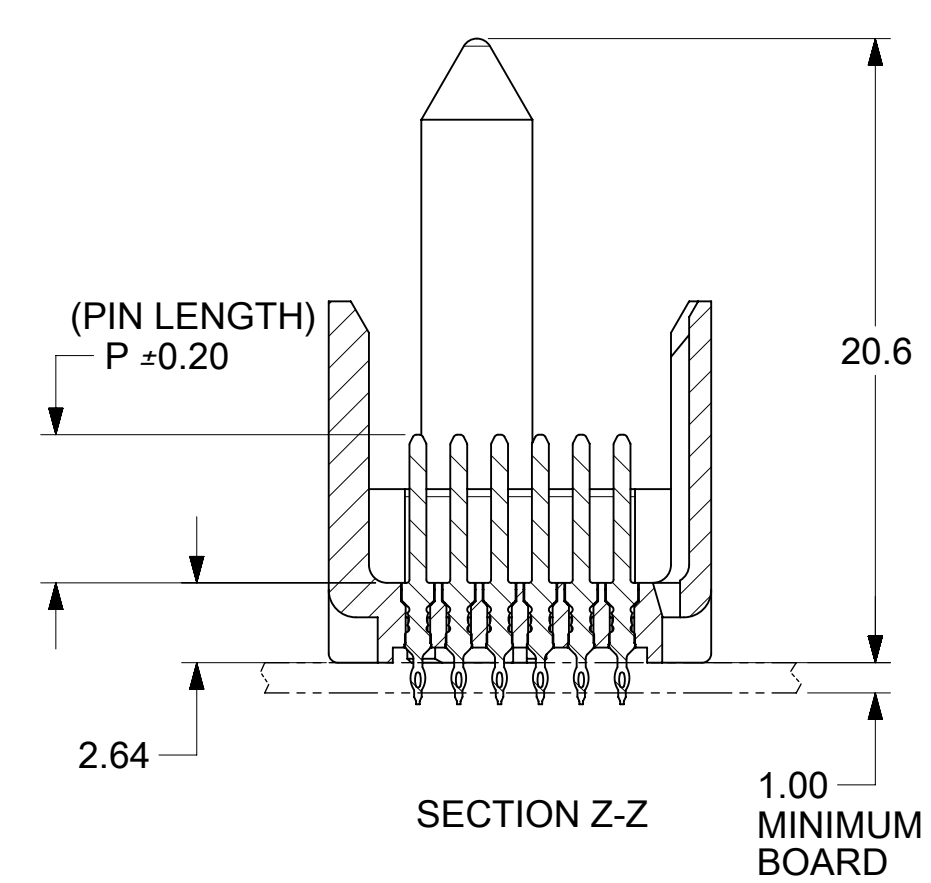
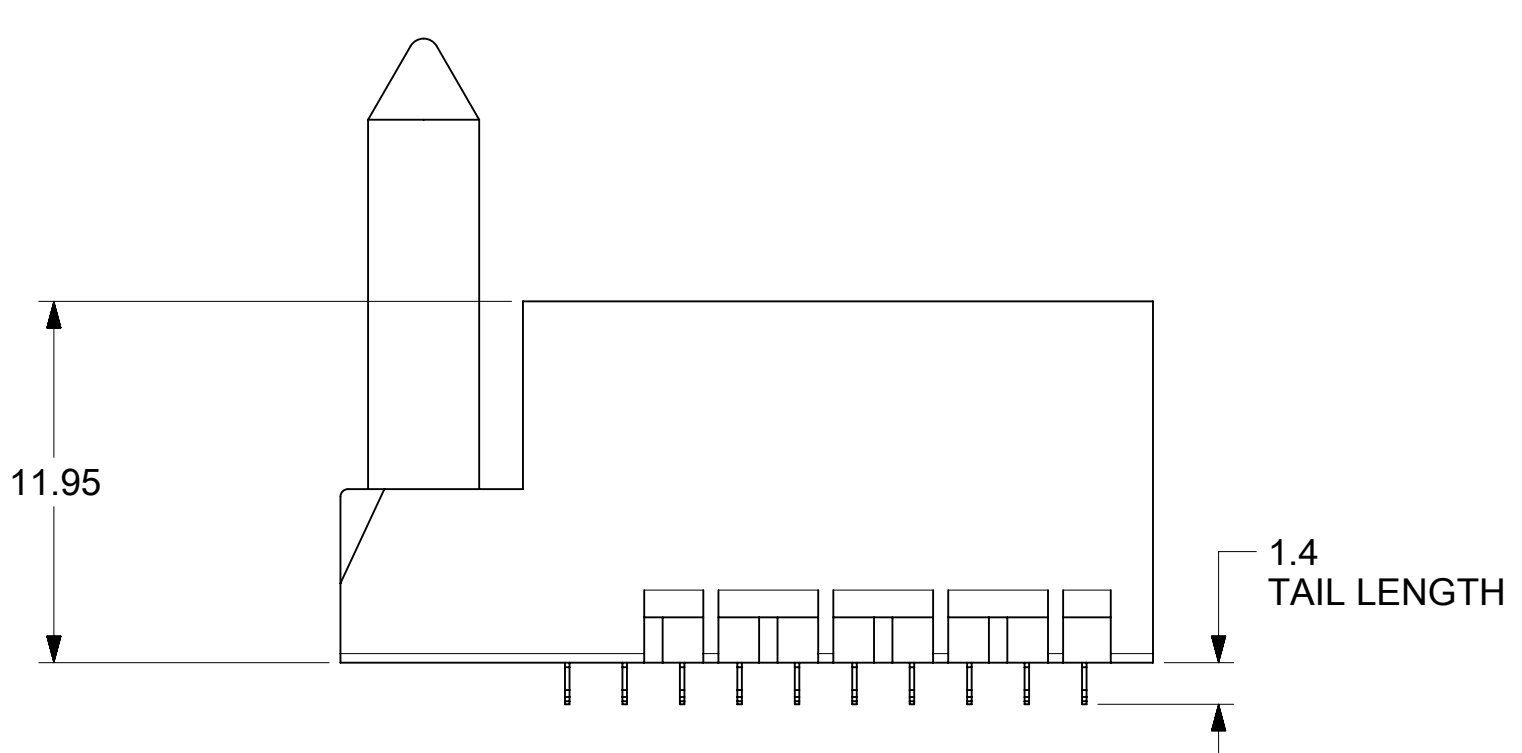


LEFT GUIDED
BACKPLANE HOLE PATTERN
(CONNECTOR SIDE)
SEE NOTE 11



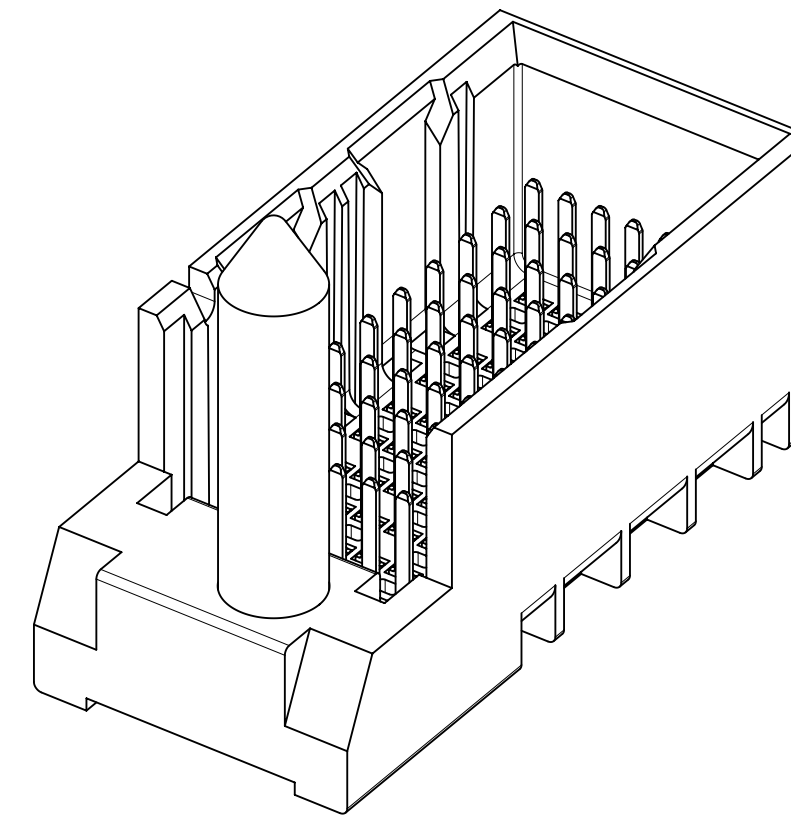
- NOTES:**
- MATERIALS: HOUSING - LIQUID CRYSTAL POLYMER (LCP) GLASS-FILLED, UL94V-0
TERMINALS - HIGH PERFORMANCE COPPER ALLOY
 - FINISH: 30µ MIN GOLD IN CONTACT AREA.
SELECTIVE TIN ON PCB TAILS.
NICKEL OVERALL.
 - REFER TO MOLEX PRODUCT SPECIFICATION PS-76060-999 FOR PERFORMANCE SPECIFICATIONS AND ADDITIONAL PCB INFORMATION.
 - THIS PART CONFORMS TO CLASS B REQUIREMENTS OF MOLEX COSMETIC SPEC PS-45499-002.
 - PACKAGE PER: PK-70873-761.
 - SEE SHEETS 2 & 3 FOR PART NUMBERS AND BOARD RELATIONSHIPS.
 - MATES WITH IMPACT DC SERIES NO. 76460.
 - KEEP OUT ZONE FOR BP HOUSING LENGTH INCLUDES AN ADDITIONAL 1.0MM TO ACCOMMODATE FOR SPACE REQUIRED BY DC FRONT HOUSING.
 - REFER TO MOLEX PCB ROUTING GUIDE AS-76060-990 FOR ANTIPAD AND ROUTING RECOMMENDATIONS.
 - CONNECTORS SUPPLIED WITH A 2-56 UNC-2A SCREW.
 - "THESE DIMENSIONS REPRESENT THE AREA NEEDED TO ACCOMMODATE CONNECTOR INSERTION AND REPAIR ON THE PC BOARD. THIS IS REFERRED TO AS THE "CONNECTOR KEEP OUT ZONE" AND DOES NOT REPRESENT THE ACTUAL PERIMETER OF THE CONNECTOR. WHEN LAYING OUT A PC BOARD FOR CONNECTORS STACKED TOGETHER, USE A 1.9mm PROGRESSION."

THIS DRAWING CONTAINS INFORMATION THAT IS PROPRIETARY TO MOLEX ELECTRONIC TECHNOLOGIES, LLC AND SHOULD NOT BE USED WITHOUT WRITTEN PERMISSION

DRAWING CORRECTION EC NO: 175272 DRWN: HILGOH CHKD: JLTAN06 REV / APPR: DWLE01	2018/04/19	2018/04/23	2018/05/09	GENERAL TOLERANCES (UNLESS SPECIFIED) ANGULAR TOL ± 0.5 ° 4 PLACES ± 3 PLACES ± 2 PLACES ± 0.13 1 PLACE ± 0.25 0 PLACES ± DRAFT WHERE APPLICABLE MUST REMAIN WITHIN DIMENSIONS	DIMENSION UNITS MM	SCALE 4:1	
	DRWN BY MSANDBERG	DATE 2007/06/18	CHKD BY JLAURX		DATE 2007/06/18	PRODUCT CUSTOMER DRAWING	
	APPR BY JLAURX	DATE 2010/10/15	SERIES 76455		MATERIAL NUMBER SEE TABLE	CUSTOMER GENERAL MARKET	
	DRAWING SIZE C	THIRD ANGLE PROJECTION	DOCUMENT NUMBER SD-76455-002		DOC TYPE PSD	DOC PART 001	

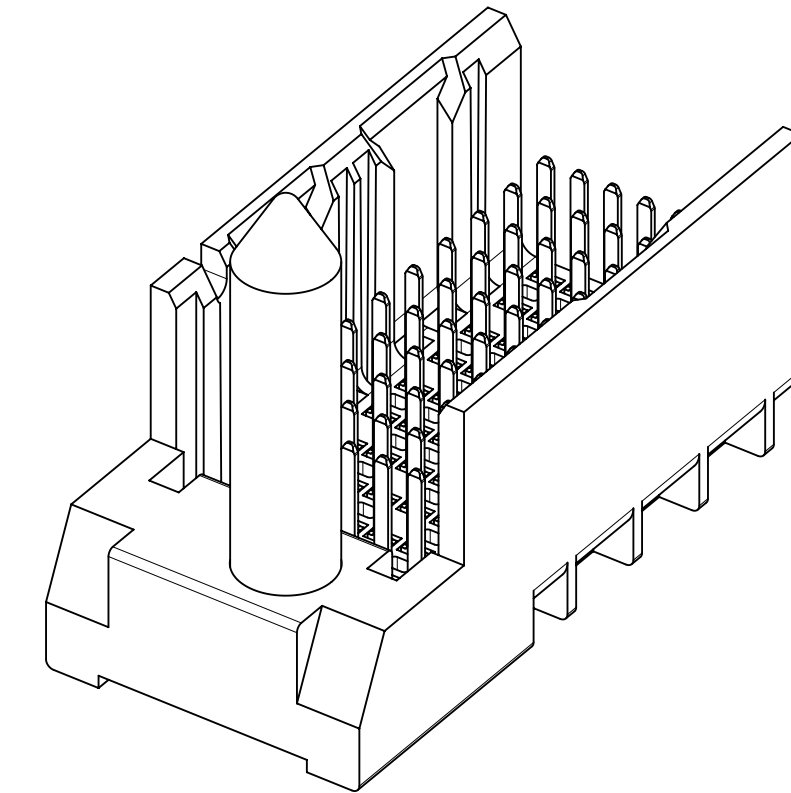
PART NUMBER TABLE

MATERIAL NUMBER	# OF COLUMNS	# OF DIFF PAIR	DIM 'A'	DIM 'B'	GUIDE LEFT END WALL OPTION
76455-*10*	10	20	26.9	17.10	
76455-*60*	16	32	38.3	28.50	



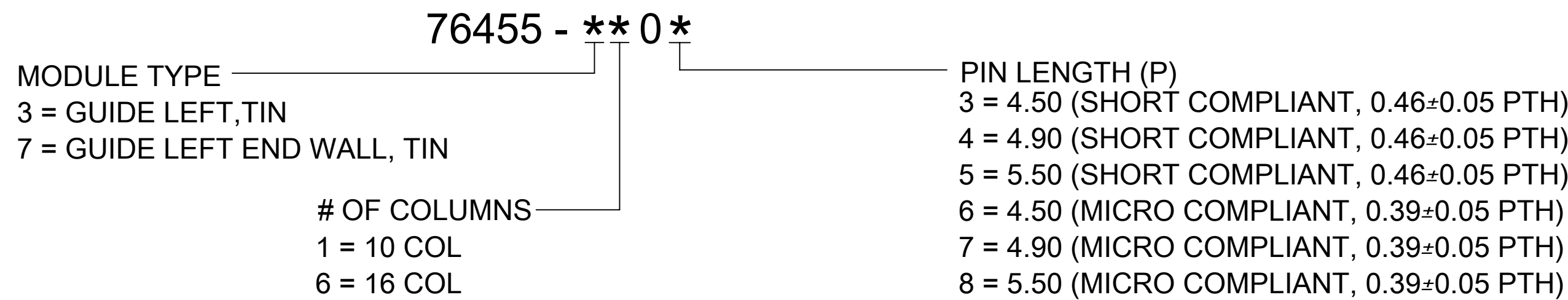
GUIDE LEFT
END WALL
OPTION

MATERIAL NUMBER	# OF COLUMNS	# OF DIFF PAIR	DIM 'A'	DIM 'B'	GUIDE LEFT OPEN WALL OPTION
76455-*10*	10	20	25.5	17.10	
76455-*60*	16	32	36.9	28.50	



GUIDE LEFT
OPEN WALL
OPTION

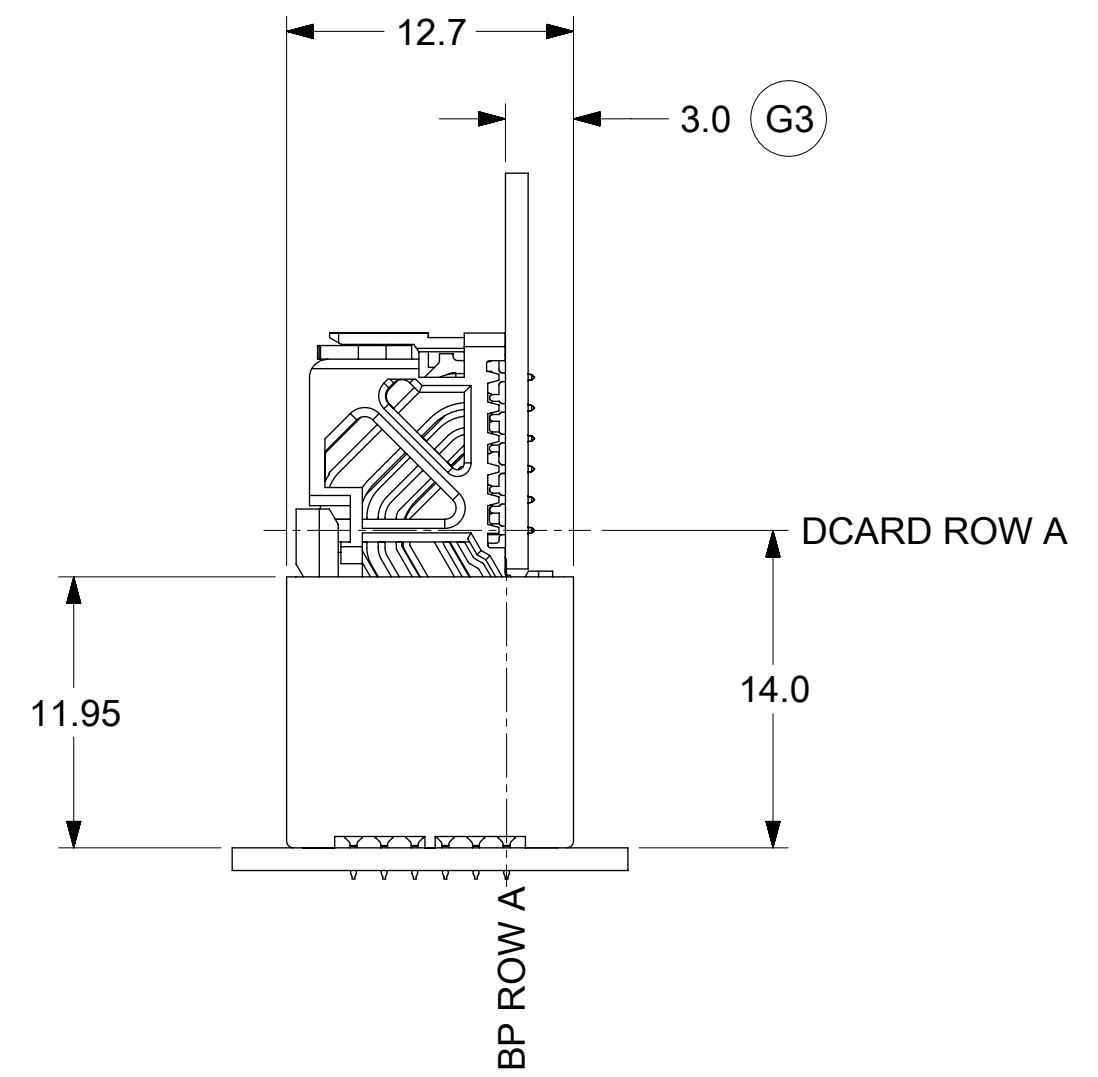
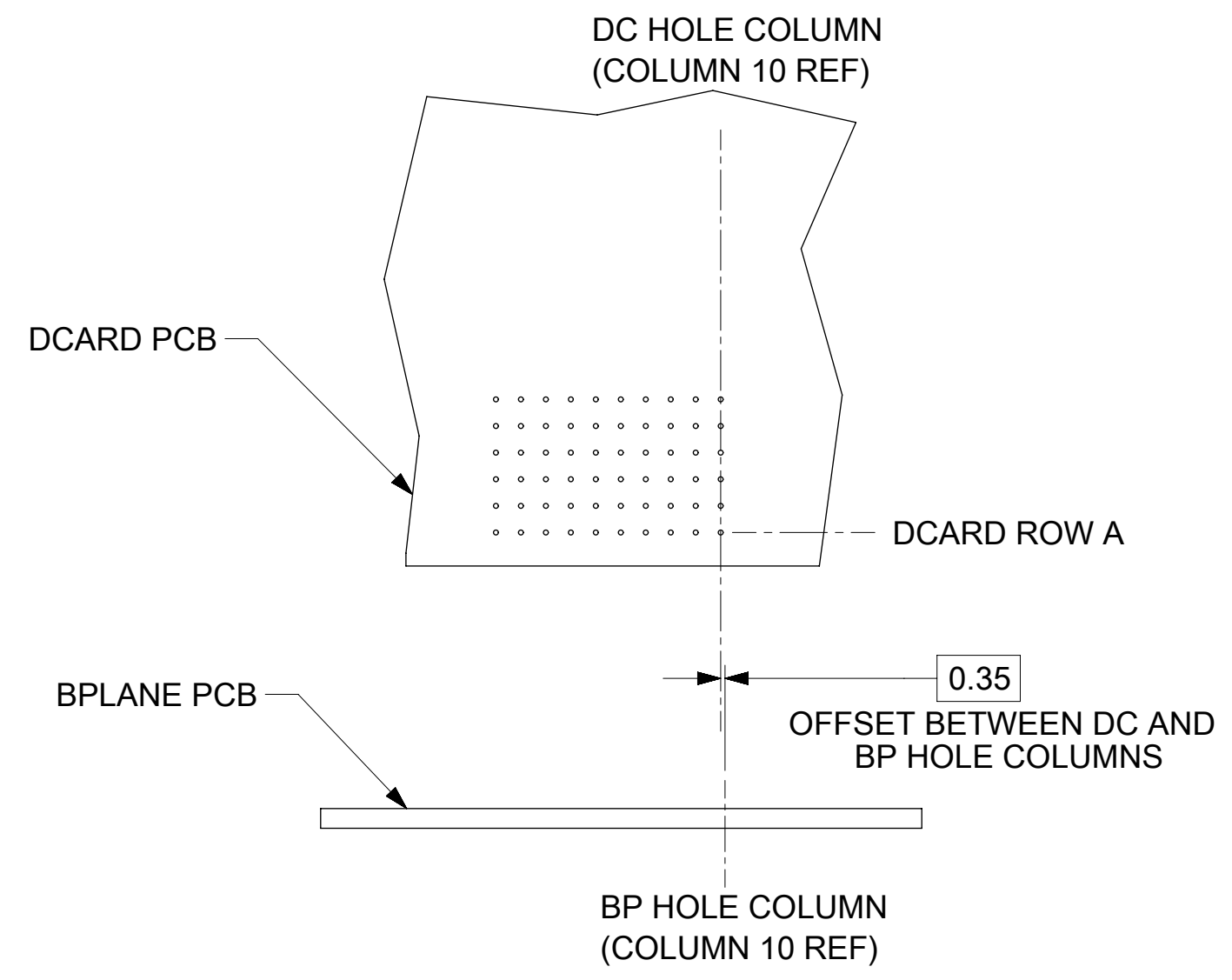
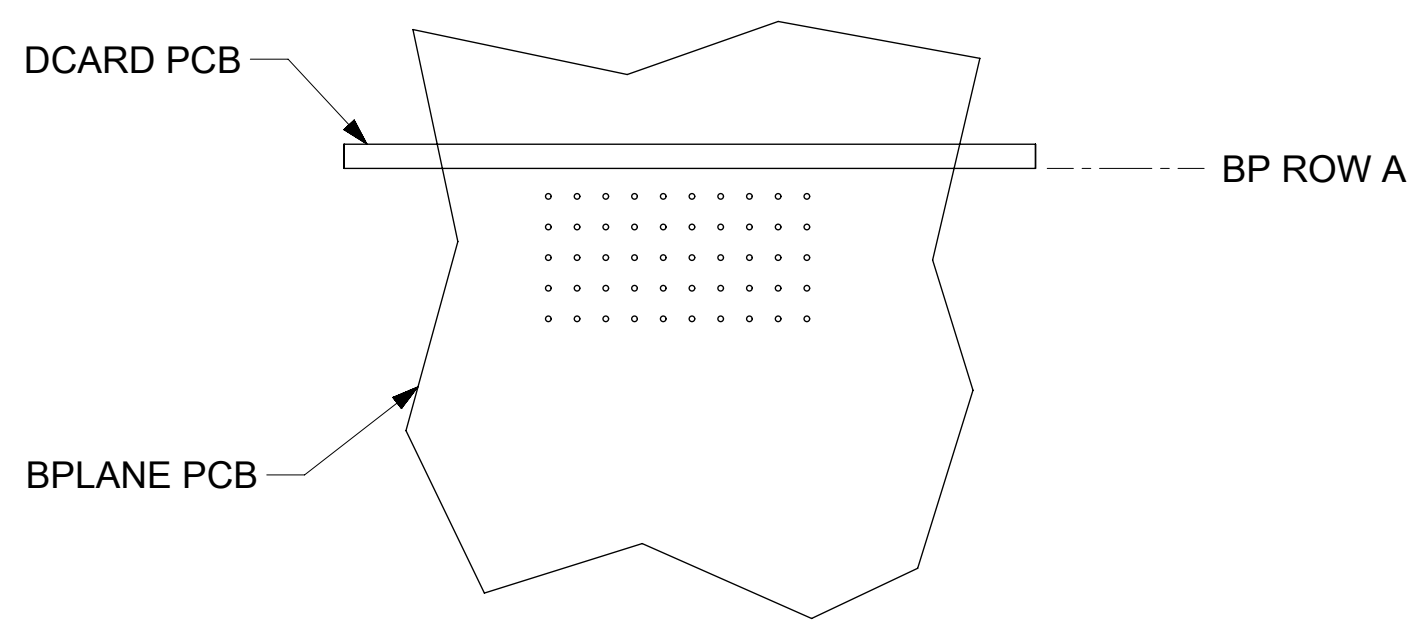
PART NUMBER LOGIC



THIS DRAWING CONTAINS INFORMATION THAT IS PROPRIETARY TO MOLEX ELECTRONIC TECHNOLOGIES, LLC AND SHOULD NOT BE USED WITHOUT WRITTEN PERMISSION

DRAWING CORRECTION	2018/04/19	GENERAL TOLERANCES (UNLESS SPECIFIED)	DIMENSION UNITS	SCALE	molex			
	2018/04/23		MM	4:1				
	2018/05/09		ANGULAR TOL ± 0.5 °	DRWN BY		DATE		
			4 PLACES ±	MSANDBERG		2007/06/18		
	3 PLACES ±	CHK'D BY	DATE	IMPACT 2 PAIR HEADER LEFT GUIDED ASSEMBLY SALES DRAWING				
	2 PLACES ± 0.13	JLAURX	2007/06/18					
	1 PLACE ± 0.25	APPR BY	DATE	PRODUCT CUSTOMER DRAWING				
	0 PLACES ±	JLAURX	2010/10/15					
EC NO: 175272	DRWN: HILGOH	DRAFT WHERE APPLICABLE MUST REMAIN WITHIN DIMENSIONS	DRAWING SIZE	THIRD ANGLE PROJECTION	SERIES	MATERIAL NUMBER	CUSTOMER	
G3	CHK'D: JLTAN06		C	⊕	76455	SEE TABLE	GENERAL MARKET	
REV	APPR: DWLEED01				DOCUMENT NUMBER	DOC TYPE	DOC PART	SHEET NUMBER
					SD-76455-002	PSD	001	2 OF 3

IMPACT 2 PAIR BOARD RELATIONSHIPS



THIS DRAWING CONTAINS INFORMATION THAT IS PROPRIETARY TO MOLEX ELECTRONIC TECHNOLOGIES, LLC AND SHOULD NOT BE USED WITHOUT WRITTEN PERMISSION											
DRAWING CORRECTION	EC NO:	175272	GENERAL TOLERANCES (UNLESS SPECIFIED)		DIMENSION UNITS	SCALE	molex IMPACT 2 PAIR HEADER LEFT GUIDED ASSEMBLY SALES DRAWING				
	DRWN:	HILGOH	ANGULAR TOL ± 0.5 °		MM	2:1					
	CHKD:	JL TAN06	4 PLACES	±	DRWN BY	DATE	PRODUCT CUSTOMER DRAWING				
	REV	APPR: DWLE01	3 PLACES	±	MSANDBERG	2007/06/18					
	REV	APPR: DWLE01	2 PLACES	± 0.13	CHKD BY	DATE	SERIES MATERIAL NUMBER CUSTOMER				
	REV	APPR: DWLE01	1 PLACE	± 0.25	JLAURX	2007/06/18					
REV	APPR: DWLE01	0 PLACES	±	APPR BY	DATE	76455	SEE TABLE	GENERAL MARKET			
DRAFT WHERE APPLICABLE MUST REMAIN WITHIN DIMENSIONS		DRAWING SIZE	THIRD ANGLE PROJECTION		C		DOCUMENT NUMBER SD-76455-002 DOC TYPE PSD DOC PART 001 SHEET NUMBER 3 OF 3				