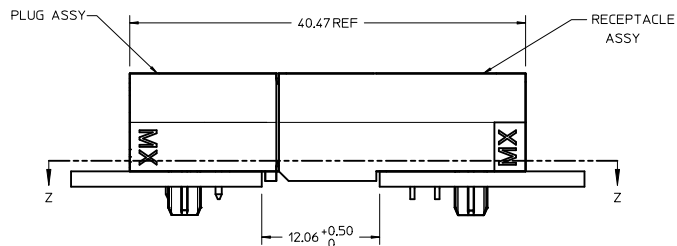
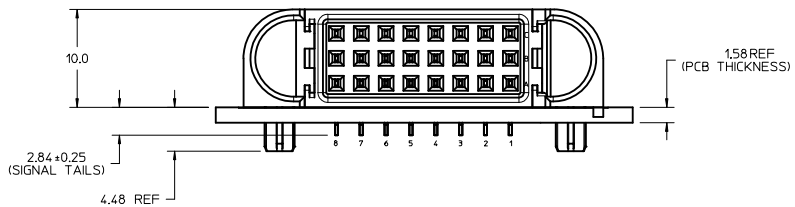
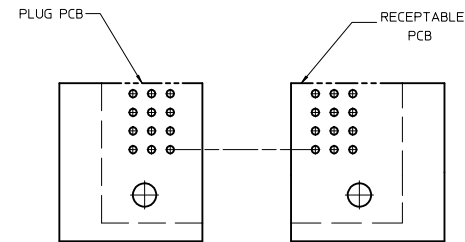


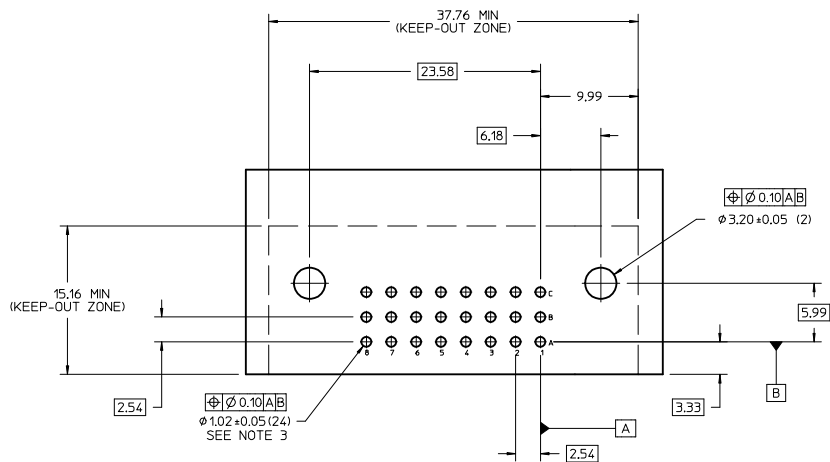
P/N: 46436-1444



MATED PROFILE



PARTIAL OF Z-Z
(CKTS ARE ALIGNED)

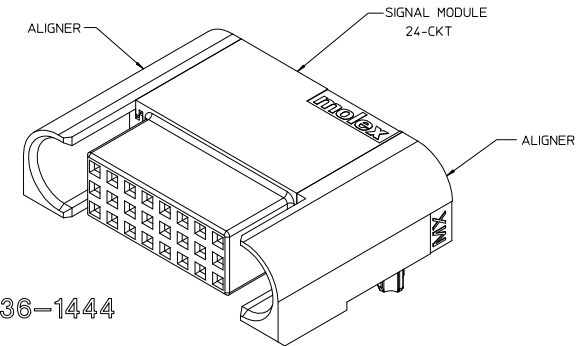
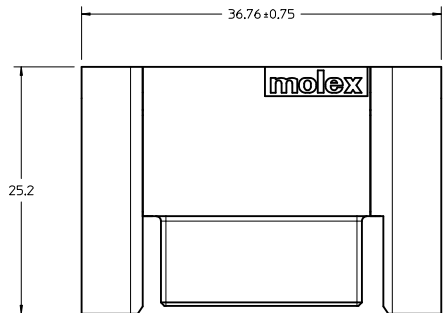


RECOMMENDED PCB LAYOUT AND KEEP-OUT ZONE

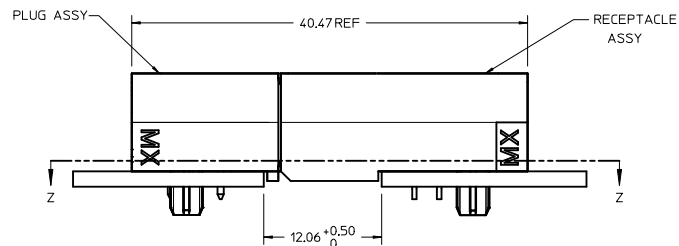
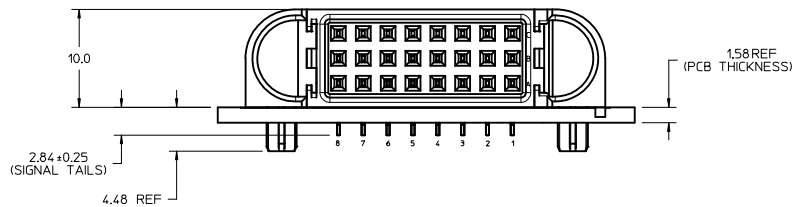
NOTES:

- MATERIAL:
 - HOUSINGS: LCP UL94 V-0, COLOR: BLACK
 - TERMINALS: COPPER ALLOY
 - PLATING: 1.27 MICROMETER (50 MICROINCH) NICKEL OVERALL WITH 2.54 MICROMETER (100 MICROINCH) SELECTIVE TIN ON TAILS AND 0.762 MICROMETER (30 MICROINCH) SELECTIVE GOLD ON CONTACT AREA
- PACKAGING: ASSEMBLIES TO BE TRAY PACKED PER PACKAGING SPEC: TBD
- PLATED THRU HOLE SIZE, REFER TO PS-46436-100 FOR DETAILS
- PRODUCT SPEC: PS-46436-100
- APPLICATION SPEC: AS-46436-100
- PRODUCT TO MEET RoHS REQUIREMENTS
- ASSEMBLY MATES WITH PLUG ASSEMBLY P/N 46437-1444
- TAIL DESIGN: SOLDER TAIL

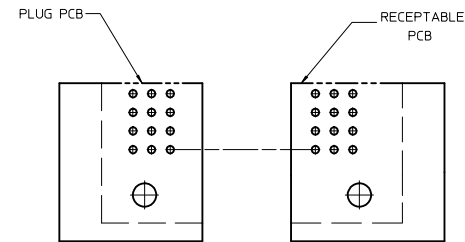
INITIAL RELEASE IEC NO. UCF2013-1554 DRAWN BY CHYK/BPI/SZCZOR 2012/10/25 APPR: APATEL 2013/02/20	QUALITY SYMBOLS	GENERAL TOLERANCES (UNLESS SPECIFIED)	DIMENSION STYLE	SCALE	DESIGN UNITS	THIRD ANGLE PROJECTION
	$\nabla=0$ $\nabla=0$ $\nabla=0$	mm INCH 4 PLACES ± --- ± --- 3 PLACES ± 0.13 ± --- 2 PLACES ± 0.25 ± --- 1 PLACE ± --- ± --- 0 PLACE ± --- ± ---	MM ONLY	4:1	METRIC	
	DRAFT WHERE APPLICABLE MUST REMAIN WITHIN DIMENSIONS	DRAWN BY GES 2012/10/23 CHECKED BY BPI/SZCZOR 2013/02/07 APPROVED BY APATEL 2013/02/20	MATERIAL NO. 46436-1444	TITLE R/A RECEPTACLE ASSY G-24S-G TEN60 POWER FAMILY molex	DOCUMENT NO. SD-46436-1444	SHEET NO. 1 OF 1
	THIS DRAWING CONTAINS INFORMATION THAT IS PROPRIETARY TO MOLEX INCORPORATED AND SHOULD NOT BE USED WITHOUT WRITTEN PERMISSION					



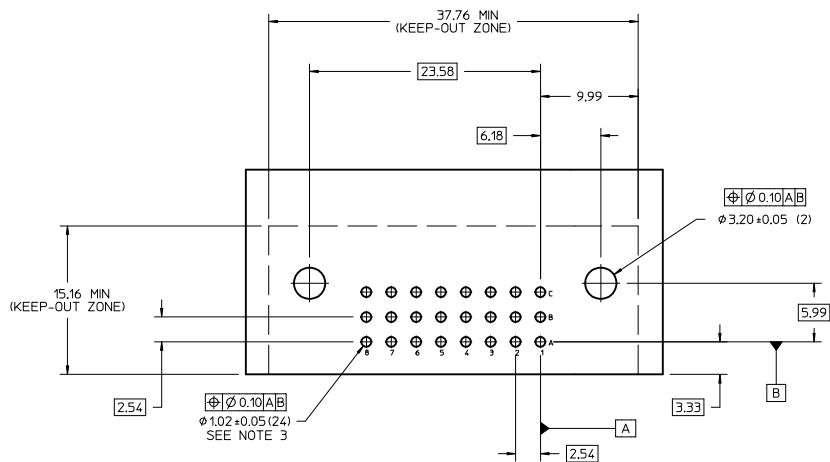
P/N: 46436-1444



MATED PROFILE



PARTIAL OF Z-Z
(CKTS ARE ALIGNED)

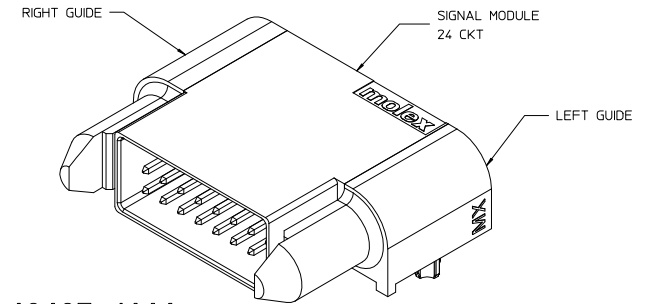
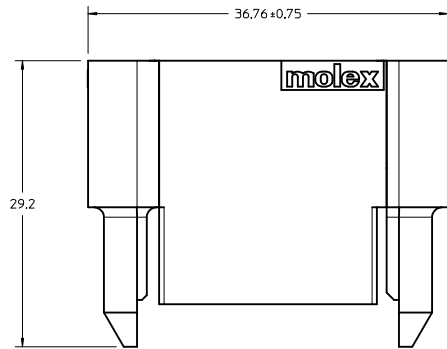


RECOMMENDED PCB LAYOUT AND KEEP-OUT ZONE

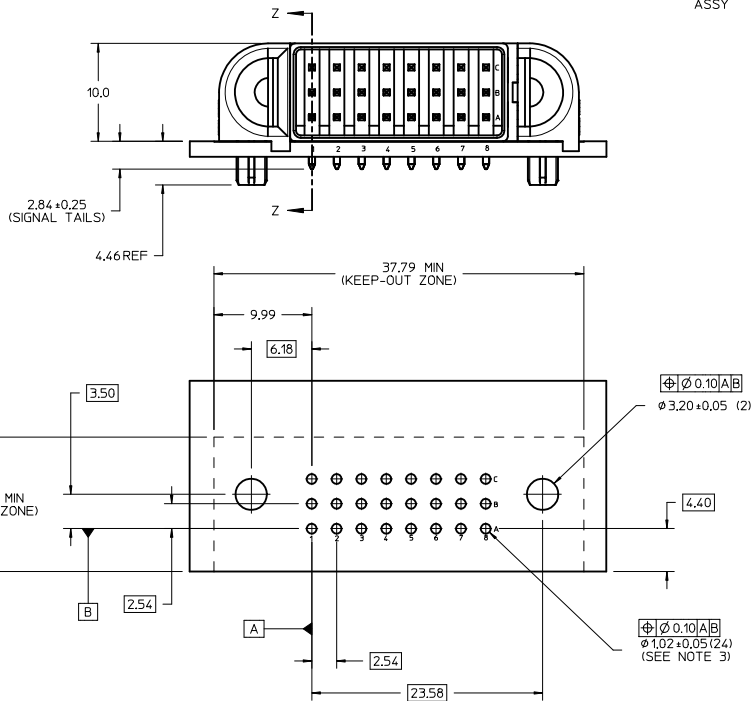
NOTES:

- MATERIAL:
 - HOUSINGS: LCP UL94 V-0, COLOR: BLACK
 - TERMINALS: COPPER ALLOY
 - PLATING: 1.27 MICROMETER (50 MICROINCH) NICKEL OVERALL WITH 2.54 MICROMETER (100 MICROINCH) SELECTIVE TIN ON TAILS AND 0.762 MICROMETER (30 MICROINCH) SELECTIVE GOLD ON CONTACT AREA
- PACKAGING: ASSEMBLIES TO BE TRAY PACKED PER PACKAGING SPEC: TBD
- PLATED THRU HOLE SIZE, REFER TO PS-46436-100 FOR DETAILS
- PRODUCT SPEC: PS-46436-100
- APPLICATION SPEC: AS-46436-100
- PRODUCT TO MEET RoHS REQUIREMENTS
- ASSEMBLY MATES WITH PLUG ASSEMBLY P/N 46437-1444
- TAIL DESIGN: SOLDER TAIL

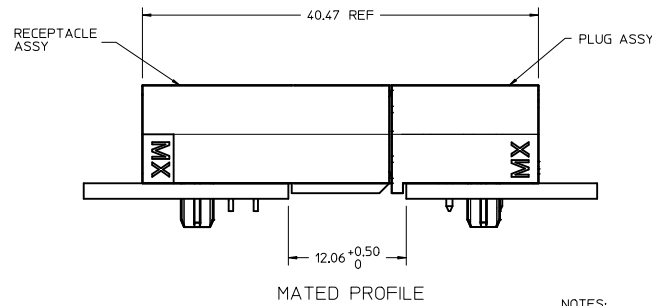
INITIAL RELEASE IEC NO. UCFP2013-1554 DRAWINGS CHYK/BPI/SZCZOR 2013/02/07 APPR:APATEL 2013/02/20	QUALITY SYMBOLS	GENERAL TOLERANCES (UNLESS SPECIFIED)	DIMENSION STYLE	SCALE	DESIGN UNITS	THIRD ANGLE PROJECTION
	▽=0	mm INCH	MM ONLY	4:1	METRIC	☉
	▽=0	4 PLACES ± ---	DRAWN BY	DATE	TITLE	
	▽=0	3 PLACES ± 0.13	GES 2012/10/23	2013/02/07	R/A RECEPTACLE ASSY G-24S-G TEN60 POWER FAMILY	
	ANGULAR ±1/2°	DRAFT WHERE APPLICABLE MUST REMAIN WITHIN DIMENSIONS	MATERIAL NO.	DOCUMENT NO.	SHEET NO.	
			46436-1444	SD-46436-1444	1 OF 1	



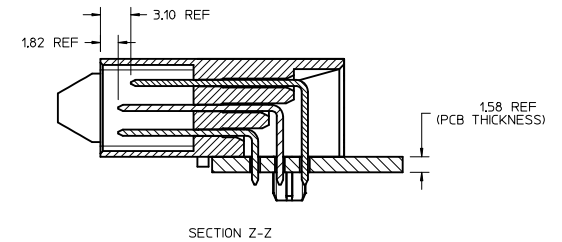
P/N: 46437-1444



RECOMMENDED PCB LAYOUT AND KEEP-OUT ZONE



MATED PROFILE



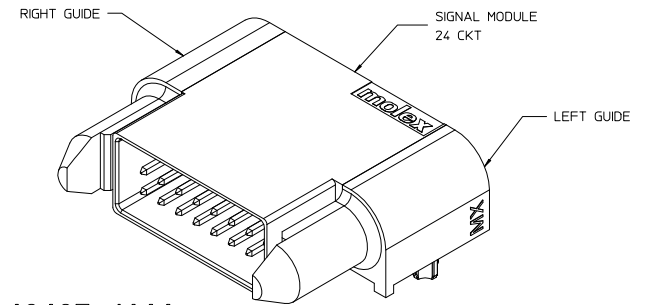
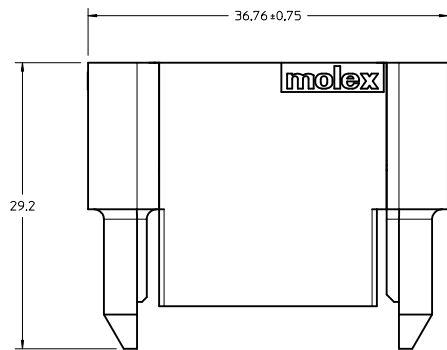
SECTION Z-Z

NOTES:

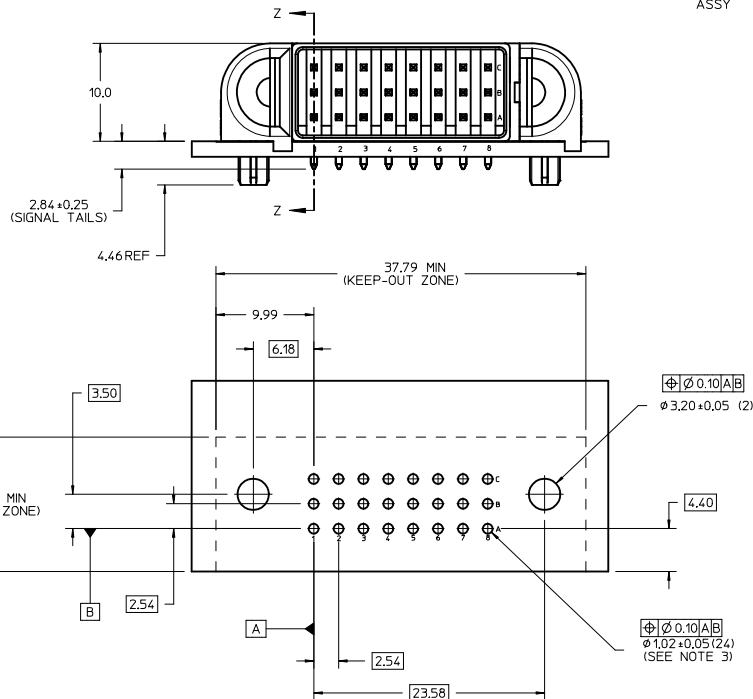
- MATERIAL:
 - HOUSINGS: LCP UL94, V-0, COLOR : BLACK
 - TERMINALS: HIGH CONDUCTIVITY COPPER ALLOY
 - PLATING: 1.27 MICROMETER (50 MICROINCH) NICKEL OVERALL WITH 2.54 MICROMETER (100 MICROINCH) SELECTIVE TIN ON TAILS AND 0.762 MICROMETER (30 MICROINCH) SELECTIVE GOLD ON CONTACT AREA
- PACKAGING: ASSEMBLIES TO BE TRAY PACKED PER PACKAGING SPEC: TBD
- PLATED THRU HOLE SIZE, REFER TO PS-46436-100 FOR DETAILS
- PRODUCT SPEC: PS-46436-100
- APPLICATION SPEC: AS-46436-100
- PRODUCT TO MEET RoHS REQUIREMENTS
- ASSEMBLY MATES TO MOLEX RECEPTACLE ASSEMBLY 46436-1444
- TAIL DESIGN: SOLDER TAIL

INITIAL RELEASE IEC NO. UCP 2013-1554 2012/10/25 DRAWN BY CHYK/BPI/SZCZOR 2013/02/07 APPR: APATEL 2013/02/20	QUALITY SYMBOLS ▽=0 ▽=0 ▽=0	GENERAL TOLERANCES (UNLESS SPECIFIED) mm INCH		DIMENSION STYLE MM ONLY		SCALE 4:1	DESIGN UNITS METRIC	THIRD ANGLE PROJECTION
		4 PLACES ± --- ± --- 3 PLACES ± --- ± --- 2 PLACES ± 0.13 ± --- 1 PLACE ± 0.25 ± --- 0 PLACE ± --- ± ---	DRAWN BY GES 2012/10/23 DATE	CHECKED BY BPI/SZCZOR 2013/02/07 DATE	APPROVED BY APATEL 2013/02/20 DATE	MATERIAL NO. 46437-1444		DOCUMENT NO. SD-46437-1444
ANGLULAR ± 1/2° DRAFT WHERE APPLICABLE MUST REMAIN WITHIN DIMENSIONS		THIS DRAWING CONTAINS INFORMATION THAT IS PROPRIETARY TO MOLEX INCORPORATED AND SHOULD NOT BE USED WITHOUT WRITTEN PERMISSION						

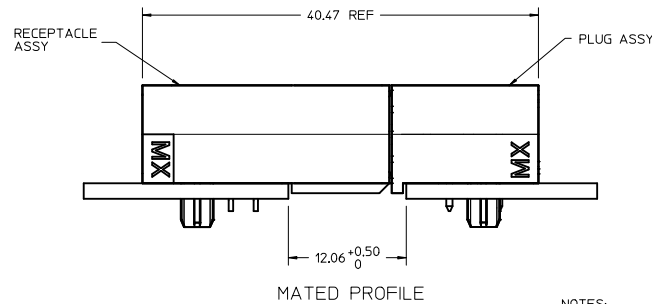
R/A PLUG ASSY
G-24S-G
TEN60 POWER FAMILY
molex



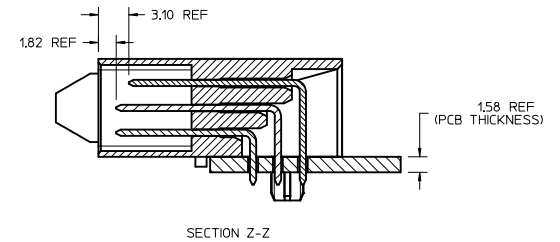
P/N: 46437-1444



RECOMMENDED PCB LAYOUT AND KEEP-OUT ZONE



MATED PROFILE



SECTION Z-Z

NOTES:

- MATERIAL:
 - HOUSINGS: LCP UL94, V-0, COLOR : BLACK
 - TERMINALS: HIGH CONDUCTIVITY COPPER ALLOY
 - PLATING: 1.27 MICROMETER (50 MICROINCH) NICKEL OVERALL WITH 2.54 MICROMETER (100 MICROINCH) SELECTIVE TIN ON TAILS AND 0.762 MICROMETER (30 MICROINCH) SELECTIVE GOLD ON CONTACT AREA
- PACKAGING: ASSEMBLIES TO BE TRAY PACKED PER PACKAGING SPEC: TBD
- PLATED THRU HOLE SIZE, REFER TO PS-46436-100 FOR DETAILS
- PRODUCT SPEC: PS-46436-100
- APPLICATION SPEC: AS-46436-100
- PRODUCT TO MEET RoHS REQUIREMENTS
- ASSEMBLY MATES TO MOLEX RECEPTACLE ASSEMBLY 46436-1444
- TAIL DESIGN: SOLDER TAIL

INITIAL RELEASE IEC NO. UCP 2013-1554 DRAWINGS CHYK/BPI/SZCZOR 2013/02/07 APPR: APATEL 2013/02/20	QUALITY SYMBOLS	GENERAL TOLERANCES (UNLESS SPECIFIED)	DIMENSION STYLE	SCALE	DESIGN UNITS	THIRD ANGLE PROJECTION
	$\nabla=0$ $\nabla=0$ $\nabla=0$	mm INCH 4 PLACES ± --- ± --- 3 PLACES ± --- ± --- 2 PLACES ± 0.13 ± --- 1 PLACE ± 0.25 ± --- 0 PLACE ± --- ± ---	MM ONLY	4:1	METRIC	
	ANGULAR ± 1/2° DRAFT WHERE APPLICABLE MUST REMAIN WITHIN DIMENSIONS	DRAWN BY DATE GES 2012/10/23 CHECKED BY DATE BPI/SZCZOR 2013/02/07 APPROVED BY DATE APATEL 2013/02/20	TITLE R/A PLUG ASSY G-24S-G TEN60 POWER FAMILY molex		MATERIAL NO.	DOCUMENT NO.
			46437-1444	SD-46437-1444	SHEET NO.	1 OF 1