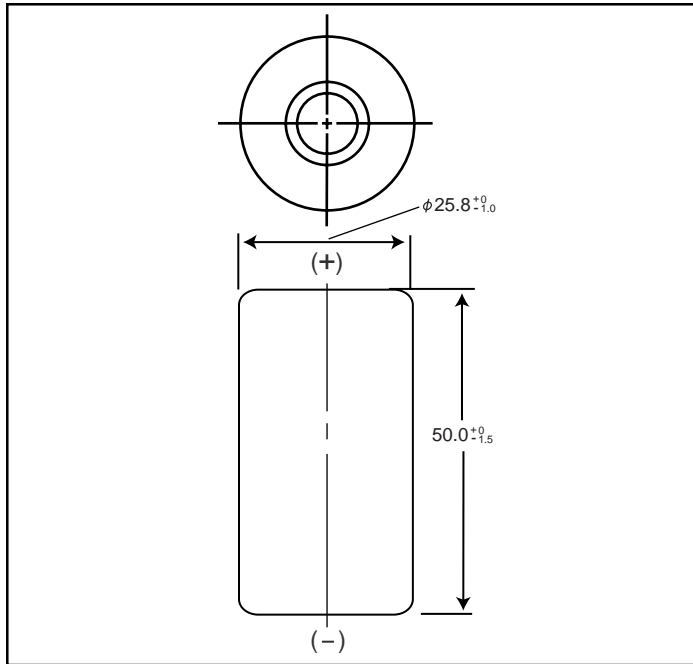


# NICKEL METAL HYDRIDE BATTERIES: INDIVIDUAL DATA SHEET

## HHR300CH Cylindrical C size (HR 26/50) for backup use

### Dimensions (with Tube) (mm)



### Specifications

	mm	inch
<b>Diameter</b>	25.8+0/-1.0	1.02+0/-0.04
<b>Height</b>	50.0+0/-1.5	1.97+0/-0.06
<b>Approximate Weight</b>	<b>Grams</b>	<b>Ounces</b>
	80	2.82

<b>Nominal Voltage</b>		1.2V		
<b>Discharge Capacity<sup>1</sup></b>	<b>Average<sup>2</sup></b>	3300 mAh		
	<b>Rated (Min.)</b>	3100 mAh		
<b>Approx. Internal impedance at 1000Hz at charged state.</b>		5mΩ		
<b>Charge</b>	<b>Standard</b>	300mA (0.1It) x 16hrs.		
	<b>Rapid<sup>3</sup></b>	1500mA (1It) x 2.4 hrs. <sup>4</sup>		
	<b>Low Rate</b>	155mA x 32 hrs. 100mA x 48 hrs.		
<b>Ambient Temperature</b>	<b>Charge</b>	<b>Standard</b>	°C	°F
			0°C to 45°C	32°F to 113°F
		<b>Rapid</b>	10°C to 40°C	32°F to 104°F
	<b>Low Rate</b>	-10°C to 45°C	14°F to 149°F	
	<b>Discharge</b>	-10°C to 65°C 14°F to 113°F		
	<b>Storage</b>	< 1 year	-20°C to 35°C	-4°F to 95°F
< 3 months		-20°C to 35°C	-4°F to 95°F	
< 1 month		-20°C to 55°C	-4°F to 131°F	

<sup>1</sup> After charging at 0.1It for 16 hours, discharging at 0.2It.

<sup>2</sup> For reference only.

<sup>3</sup> Need specially designed control system

#### Control System:

dT/dt cut-off; 1 to 2°C/min

-ΔV cut-off; -ΔV per cell = 5 to 10 mV

T-control; T=65°C

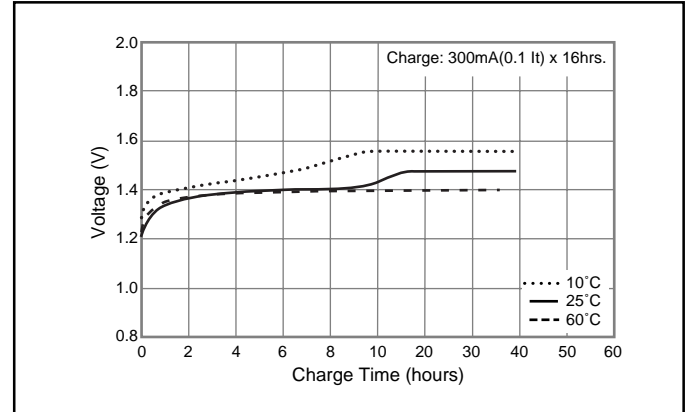
Rapid charger timer; 2.4h (at 1.25a)

Trickle timer; within 2h

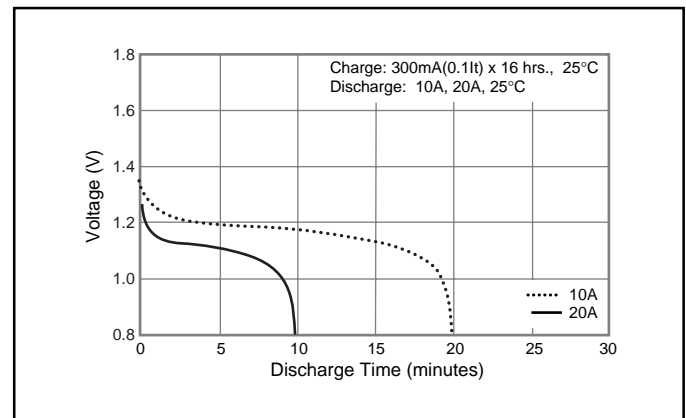
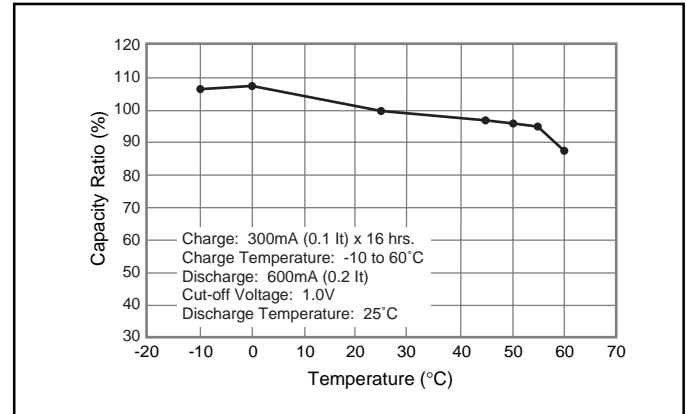
<sup>4</sup> With control system

Battery performance and cycle life are strongly affected by how they are used. In order to maximize battery safety, please consult Panasonic when determining charge / discharge specs, warning label contents and unit design.

### Typical Charge Characteristics



### Typical Discharge Characteristics



**Note:** [It] was previously expressed as [C]. [It] is an IEC standard expression for the amount of charge or discharge current and is expressed as:

$$It(A) = C_n (Ah)/1h.$$

- [It] is the reference test current in amperes
- [C<sub>n</sub>] is the rated capacity of the cell or battery in Ampere-hours.  
n = the time base [hours] for which the rated capacity is declared