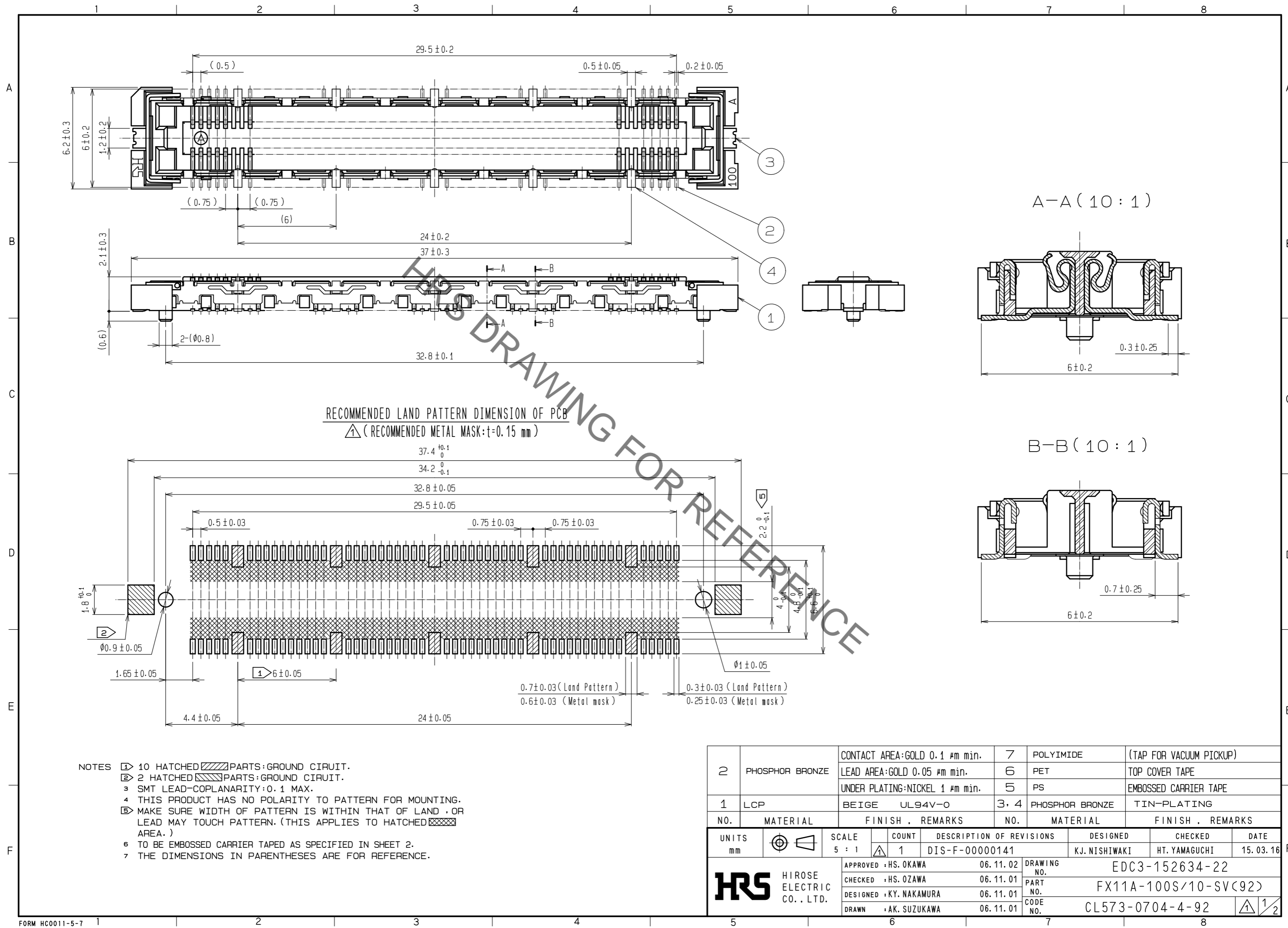


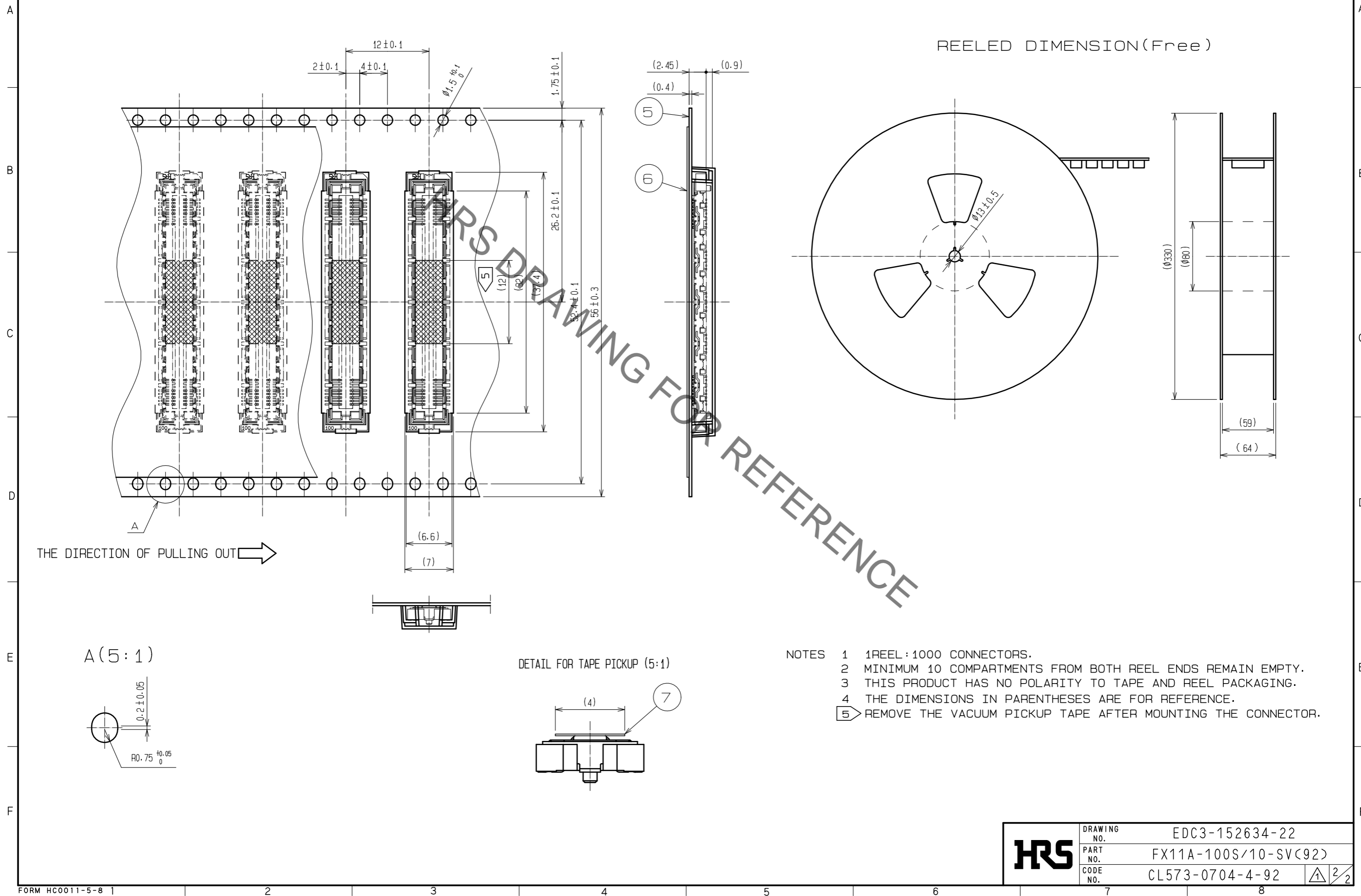
Aug.1.2019 Copyright 2019 HIROSE ELECTRIC CO., LTD. All Rights Reserved.  
 In case of consideration for using Automotive equipment / device which demand high reliability, kindly contact our sales window correspondents.



2	PHOSPHOR BRONZE	CONTACT AREA: GOLD 0.1 μm min.	7	POLYIMIDE	(TAP FOR VACUUM PICKUP)				
		LEAD AREA: GOLD 0.05 μm min.	6	PET	TOP COVER TAPE				
		UNDER PLATING: NICKEL 1 μm min.	5	PS	EMBOSSED CARRIER TAPE				
1	LCP	BEIGE UL94V-0	3, 4	PHOSPHOR BRONZE	TIN-PLATING				
NO.	MATERIAL	FINISH . REMARKS	NO.	MATERIAL	FINISH . REMARKS				
UNITS	mm	SCALE	5 : 1	COUNT	1	DESCRIPTION OF REVISIONS	DESIGNED	CHECKED	DATE
						DIS-F-00000141	KJ. NISHIWAKI	HT. YAMAGUCHI	15.03.16
<b>HRS</b> HIROSE ELECTRIC CO., LTD.		APPROVED : HS. OKAWA	06.11.02	DRAWING NO.		EDC3-152634-22			
		CHECKED : HS. OZAWA	06.11.01	PART NO.		FX11A-100S/10-SV(92)			
		DESIGNED : KY. NAKAMURA	06.11.01	CODE NO.		CL573-0704-4-92			
		DRAWN : AK. SUZUKAWA	06.11.01						

Aug.1.2019 Copyright 2019 HIROSE ELECTRIC CO., LTD. All Rights Reserved.  
 In case of consideration for using Automotive equipment / device which demand high reliability, kindly contact our sales window correspondents.

# DRAWING FOR PACKING(2:1)



<b>HRS</b>	DRAWING NO.	EDC3-152634-22
	PART NO.	FX11A-100S/10-SV(92)
	CODE NO.	CL573-0704-4-92
		$\triangle$ 2/2