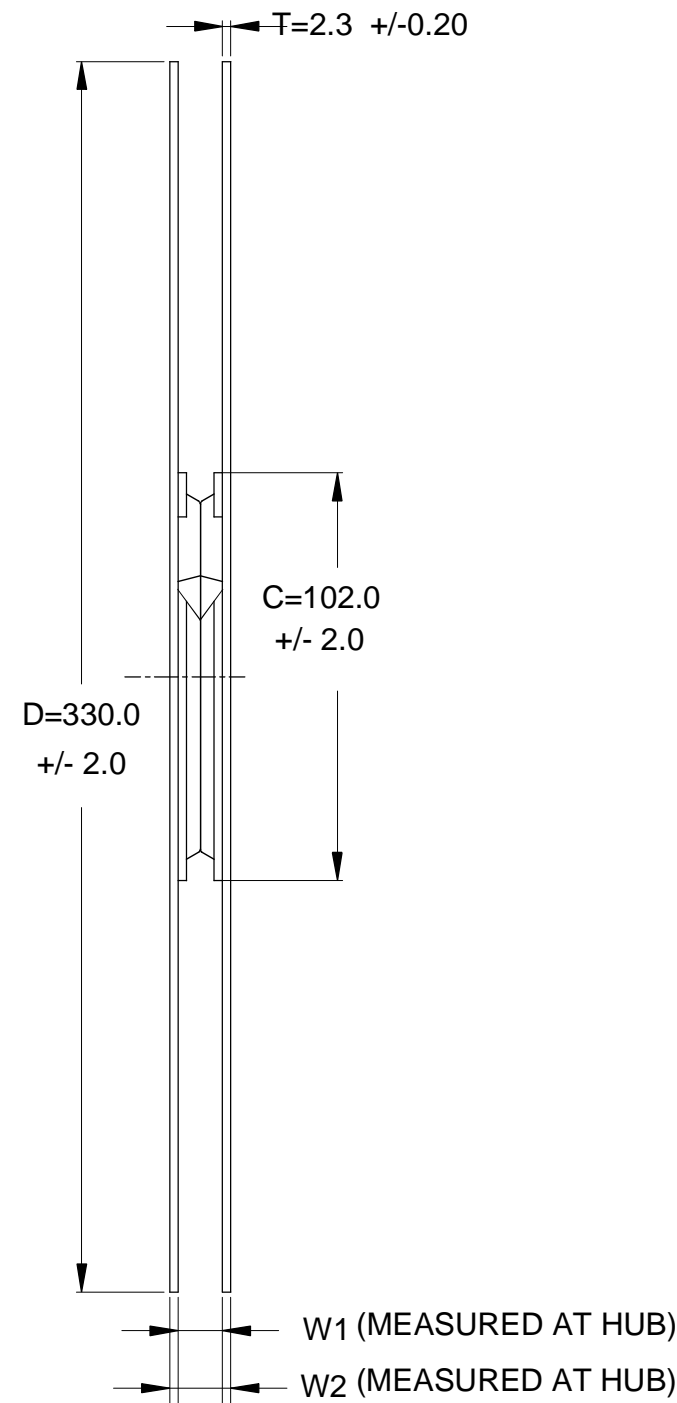
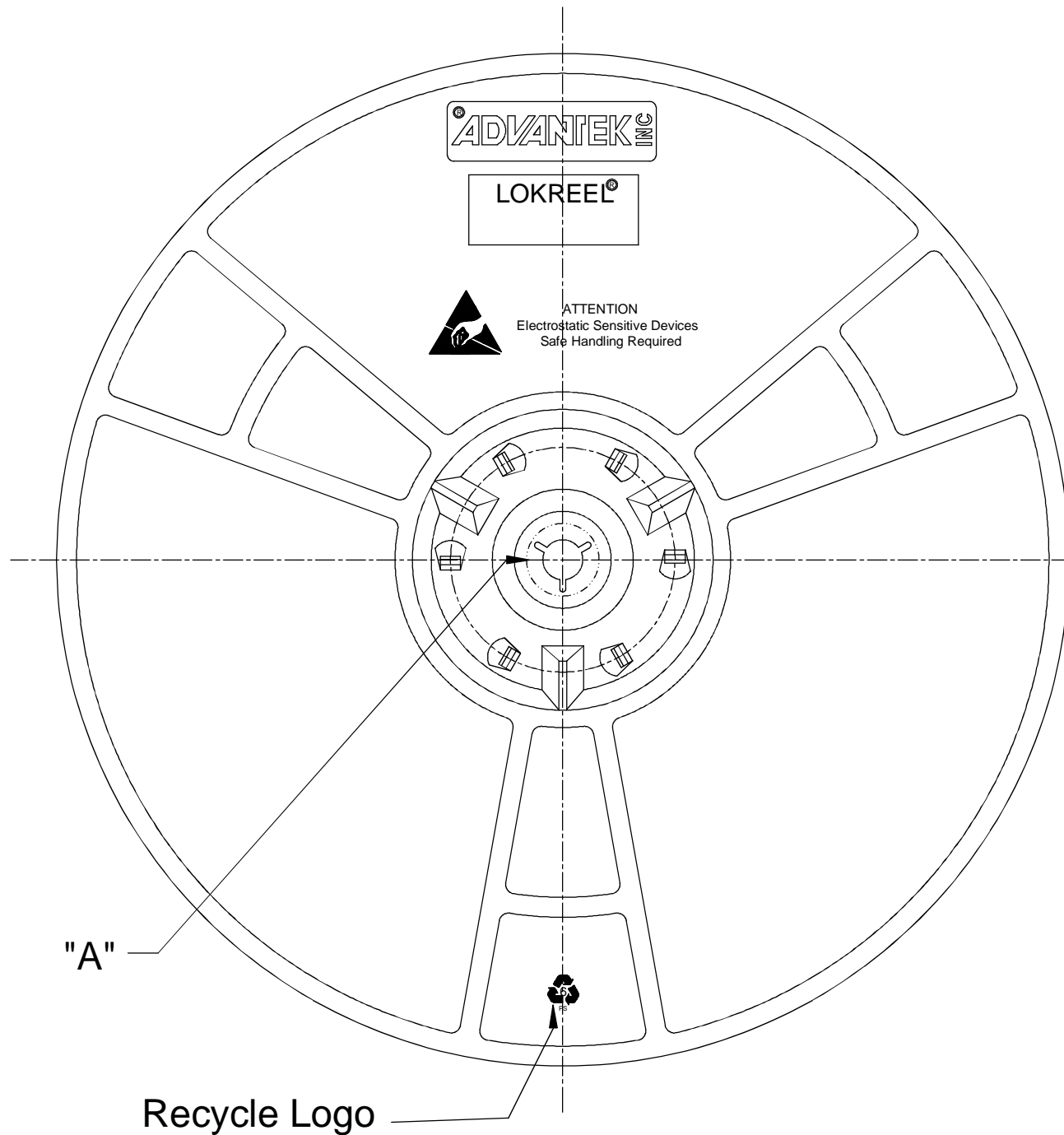


REVISIONS

| REV. | DESCRIPTION | DATE | INT |
|------|---|------------|--------|
| 2 | Add Tolerance for OD | 04/20/2007 | Thomas |
| 3 | Add code dimensions for OD, hub dia., Arbor hole, thickness, 8mm and 56 mm series | 04/20/2007 | Thomas |
| 4 | New drawing templates and add Assembled LOKREEL part numbers | 02/09/2010 | RJM |
| 5 | Revise W1 and W2 tolerances | 11/25/2010 | RJM |
| 6 | Removed US Patent Number to align drawing of halves | 02/14/2012 | NSU |
| 7 | Add "DBK" type (CO 14-0022) | 05/09/2014 | NSU |



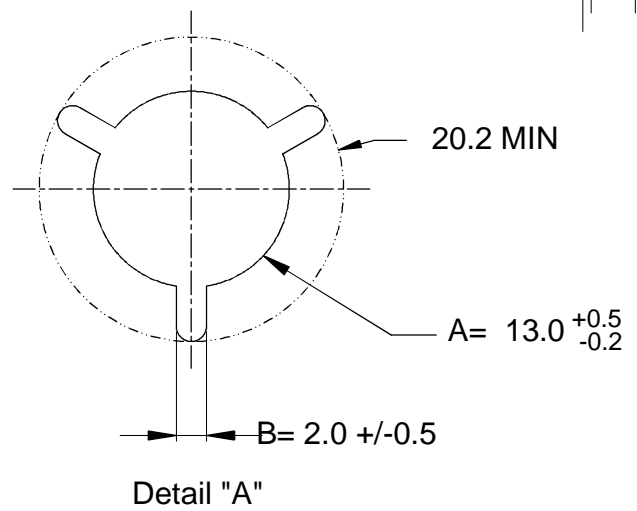
| Part Number | Flange Combination | Nominal Hub Width | W1 | W2 MAX |
|-----------------|---------------------------------|-------------------|--------------------|--------|
| FD33008SW(-BL) | RD33004SW(-BL)+RD33004SW(-BL) | 8mm | 8.8mm +1.1 / -0.4 | 14.4mm |
| FD33012SW(-BL) | RD33008SW(-BL)+RD33004SW(-BL) | 12mm | 12.8mm +1.6 / -0.4 | 18.4mm |
| FD33016SW(-BL) | RD33008SW(-BL)+RD33008SW(-BL) | 16mm | 16.8mm +1.6 / -0.4 | 22.4mm |
| FD33024SW(-BL) | RD33008SW(-BL)+RD33016SW(-BL) | 24mm | 24.8mm +1.6 / -0.4 | 30.4mm |
| FD33032SW(-BL) | RD33016SW(-BL)+RD33016SW(-BL) | 32mm | 32.8mm +1.6 / -0.4 | 38.4mm |
| FD33044SW(-BL) | RD33016SW(-BL)+RD33028SW(-BL) | 44mm | 44.8mm +1.6 / -0.4 | 50.4mm |
| FD33056SW(-BL) | RD33028SW(-BL)+RD33028SW(-BL) | 56mm | 56.8mm +1.6 / -0.4 | 62.4mm |
| FD33008RB(-RBK) | RD33004RB(-RBK)+RD33004RB(-RBK) | 8mm | 8.8mm +1.1 / -0.4 | 14.4mm |
| FD33012RB(-RBK) | RD33008RB(-RBK)+RD33004RB(-RBK) | 12mm | 12.8mm +1.6 / -0.4 | 18.4mm |
| FD33016RB(-RBK) | RD33008RB(-RBK)+RD33008RB(-RBK) | 16mm | 16.8mm +1.6 / -0.4 | 22.4mm |
| FD33024RB(-RBK) | RD33008RB(-RBK)+RD33016RB(-RBK) | 24mm | 24.8mm +1.6 / -0.4 | 30.4mm |
| FD33032RB(-RBK) | RD33016RB(-RBK)+RD33016RB(-RBK) | 32mm | 32.8mm +1.6 / -0.4 | 38.4mm |
| FD33044RB(-RBK) | RD33016RB(-RBK)+RD33028RB(-RBK) | 44mm | 44.8mm +1.6 / -0.4 | 50.4mm |
| FD33056RB(-RBK) | RD33028RB(-RBK)+RD33028RB(-RBK) | 56mm | 56.8mm +1.6 / -0.4 | 62.4mm |
| FC33008SW | RC33004SW+RC33004SW | 8mm | 8.8mm +1.1 / -0.4 | 14.4mm |
| FC33012SW | RC33008SW+RC33004SW | 12mm | 12.8mm +1.6 / -0.4 | 18.4mm |
| FC33016SW | RC33008SW+RC33008SW | 16mm | 16.8mm +1.6 / -0.4 | 22.4mm |
| FC33024SW | RC33008SW+RC33016SW | 24mm | 24.8mm +1.6 / -0.4 | 30.4mm |
| FC33032SW | RC33016SW+RC33016SW | 32mm | 32.8mm +1.6 / -0.4 | 38.4mm |
| FC33044SW | RC33016SW+RC33028SW | 44mm | 44.8mm +1.6 / -0.4 | 50.4mm |
| FC33056SW | RC33028SW+RD33028SW | 56mm | 56.8mm +1.6 / -0.4 | 62.4mm |
| FD33008DBK | RD33004DBK+RD33004DBK | 8mm | 8.8mm +1.1 / -0.4 | 14.4mm |
| FD33012DBK | RD33008DBK+RD33004DBK | 12mm | 12.8mm +1.6 / -0.4 | 18.4mm |
| FD33016DBK | RD33008DBK+RD33008DBK | 16mm | 16.8mm +1.6 / -0.4 | 22.4mm |
| FD33024DBK | RD33008DBK+RD33016DBK | 24mm | 24.8mm +1.6 / -0.4 | 30.4mm |
| FD33032DBK | RD33016DBK+RD33016DBK | 32mm | 32.8mm +1.6 / -0.4 | 38.4mm |
| FD33044DBK | RD33016DBK+RD33028DBK | 44mm | 44.8mm +1.6 / -0.4 | 50.4mm |
| FD33056DBK | RD33028DBK+RD33028DBK | 56mm | 56.8mm +1.6 / -0.4 | 62.4mm |

Note:

1. RB: Re grind Blue Lokreel
2. RBK: Re grind Black Lokreel
3. RC: Conductive Lokreel
4. SW: White Lokreel
5. SW-BL: Blue Lokreel
- 5.1 Suffix "DBK" : Black Reel ; $1 \times 10 \text{ Exp } 5 \leq SR < 1 \times 10 \text{ Exp } 10$ ohms/sq.
6. RD Series Lokreel: $1 \times 10 \text{ Exp } 5 \leq SR < 1 \times 10 \text{ Exp } 12$ ohms/sq.
7. RC Series Lokreel: $SR < 1 \times 10 \text{ Exp } 5$ ohms/sq.

Recycle Logo

PS
Recycle Logo



THE INFORMATION CONTAINED IN THIS DRAWING IS THE SOLE PROPERTY OF ADVANTEK INC. ANY REPRODUCTION IN PART OR WHOLE WITHOUT THE WRITTEN PERMISSION OF ADVANTEK INC. IS PROHIBITED.

Approved by: Ren Chen

Date Approved:

CAD GENERATED DRAWING, DO NOT MANUALLY UPDATE DO NOT SCALE DRAWING

TITLE: 13inch Assembled LOKREEL PRO_4" Hub (For customer)

TOLERANCES UNLESS - SPECIFIED
1 PL +/-0.15 2 PL +/-0.075 3PL +/-0.010
DIA./ RAD. +/-0.003
0 PL +/-1° 1 PL +/-30 MIN 2PL +/-10 MIN

ADVANTEK®
engineered confidence™

MATERIAL: Refer to Tech. Bulletins

FINISH: N/A

DRAWN: NSU SCALE: N/A SHEET: 1 of 1 SIZE: B

DATE: 05/09/2014 DRAWING NO.: B1122-06-1 REV.: 7

-All Dimensions in Millimeters-