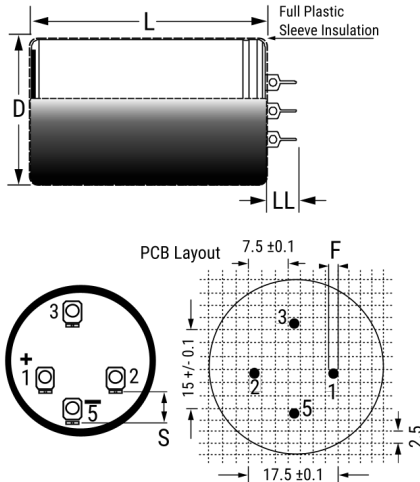


ALP20A101BB400

Aliases (A621DG101Q400AV542)

Not for New Design

ALP20, Aluminum Electrolytic, 100 uF, -10/+30%, 400 VDC, -40/+85°C



Click [here](#) for the 3D model.

Dimensions	
D	30mm +/-1mm
L	45mm +/-2mm
S	7.5mm +/-0.1mm
LL	7.5mm +/-0.5mm
F	1.3mm

Packaging Specifications	
Sleeving	Yes
Packaging	Bulk, Bag

General Information	
Series	ALP20
Dielectric	Aluminum Electrolytic
Description	Solder Pin, Aluminum Electrolytic
Features	Solder Pin
RoHS	Yes
Lead	4 Pin Solder
AEC-Q200	No
Component Weight	50 g
Notes	Dimensions D And L Include Sleeving.
Shelf Life	156 Weeks

Specifications	
Capacitance	100 uF
Capacitance Tolerance	-10/+30%
Voltage DC	400 VDC, 440 VDC (Surge)
Temperature Range	-40/+85°C
Rated Temperature	85°C
Life	15000 Hrs
Leakage Current	240 uA (5min 20°C)