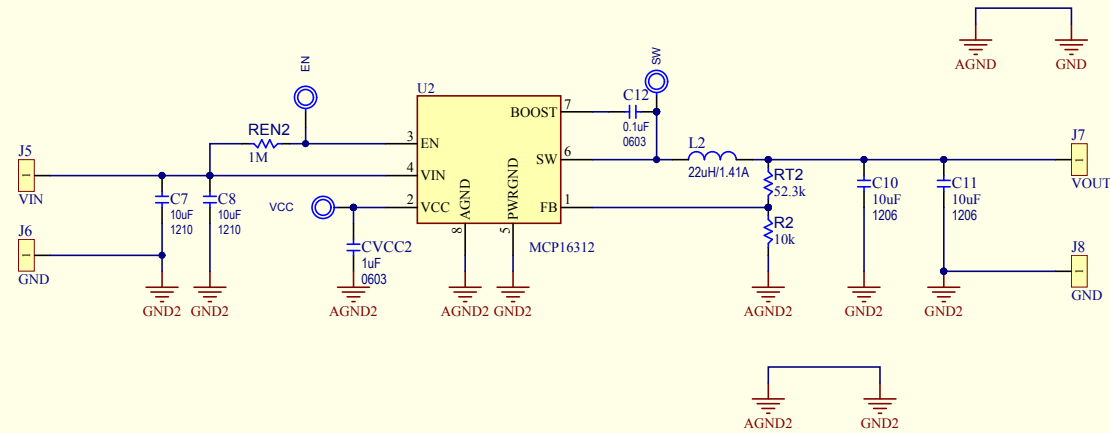
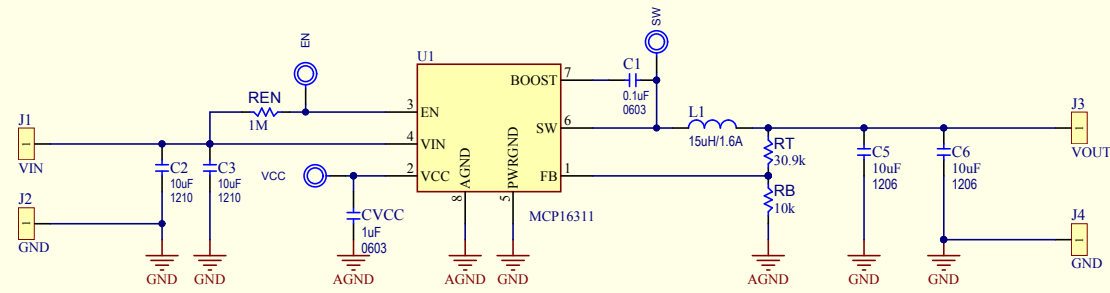


Revision History				
Rev.	ECO	Description	Date	Approved



Drawn	Mihai Tanase	Date	02-03-2011
Checked		Date	
Approved		Date	
Approved		Date	
Approved		Date	

Title		
MCP16311/2 Synchronous Evaluation Board		
Size	Doc. Number	Rev.
B	ADM00467	3