

Temperature measuring transducer - MCR-SL-PT100-LP-I - 2864558

Please be informed that the data shown in this PDF Document is generated from our Online Catalog. Please find the complete data in the user's documentation. Our General Terms of Use for Downloads are valid (<http://phoenixcontact.com/download>)




MCR temperature transducers: programmable loop-powered temperature transducers for Pt 100 resistance thermometers

Your advantages

- Freely programmable via MCR/PI-CONF-WIN
- Two-wire transmitter for Pt 100 resistance thermometers

Key Commercial Data

Packing unit	1 pc
GTIN	 4 017918 899813
GTIN	4017918899813

Technical data

Dimensions

Width	12.5 mm
Height	99 mm
Depth	114.5 mm

Ambient conditions

Ambient temperature (operation)	-40 °C ... 85 °C
Degree of protection	IP20
Noise immunity	EN 61326-1 (IEC 61326) and NAMUR NE 21

Input data

Configurable/programmable	Yes, programmable
Sensor types (RTD) that can be used	Pt 100 ; minimum measurement range 10 K
Connection technology	2, 3, 4-wire

Output data

Output name	Current output
Configurable/programmable	Yes
Current output signal	4 mA ... 20 mA
	20 mA ... 4 mA
Output current with wire break	≤ 3.6 mA or ≥ 21 mA (adjustable)

Temperature measuring transducer - MCR-SL-PT100-LP-I - 2864558

Technical data

Output data

Output current with short-circuit	$\leq 3.6 \text{ mA}$ or $\geq 21 \text{ mA}$ (adjustable)
Output current range with overrange/underrange	$\leq 20.5 \text{ mA}$ / $\geq 3.8 \text{ mA}$ (linear increase/decrease)
Load/output load current output	max ($V_{\text{supply}} - 12 \text{ V}$) / 0.023 A (current output)

Power supply

Designation	Loop-powered
Supply voltage range	12 V DC ... 35 V DC
Max. current consumption	< 3.5 mA

Connection data

Connection method	Pluggable screw connection
Stripping length	8 mm
Screw thread	M3
Conductor cross section solid	0.2 mm ² ... 2.5 mm ²
Conductor cross section flexible	0.2 mm ² ... 2.5 mm ²
Conductor cross section AWG	24 ... 24

General

Transmission error resistance thermometer	0.2 K
Step response (10-90%)	< 2 s
Switch-on delay	4 s
Test voltage input/output	2 kV (50 Hz, 1 min.)
Noise emission	EN 61326-1 (IEC 61326) and NAMUR NE 21
Noise immunity	EN 61326-1 (IEC 61326) and NAMUR NE 21
Color	green
Housing material	Polyamide PA non-reinforced
Mounting position	any
Configuration	Using MCR-PI-CONF-WIN configuration software package
Conformance	CE-compliant
UL, USA/Canada	Class I, Div. 2, Groups A, B, C, D

Standards and Regulations

Noise emission	EN 61326-1 (IEC 61326) and NAMUR NE 21
Noise immunity	EN 61326-1 (IEC 61326) and NAMUR NE 21
Connection in acc. with standard	CUL
Conformance	CE-compliant
UL, USA/Canada	Class I, Div. 2, Groups A, B, C, D

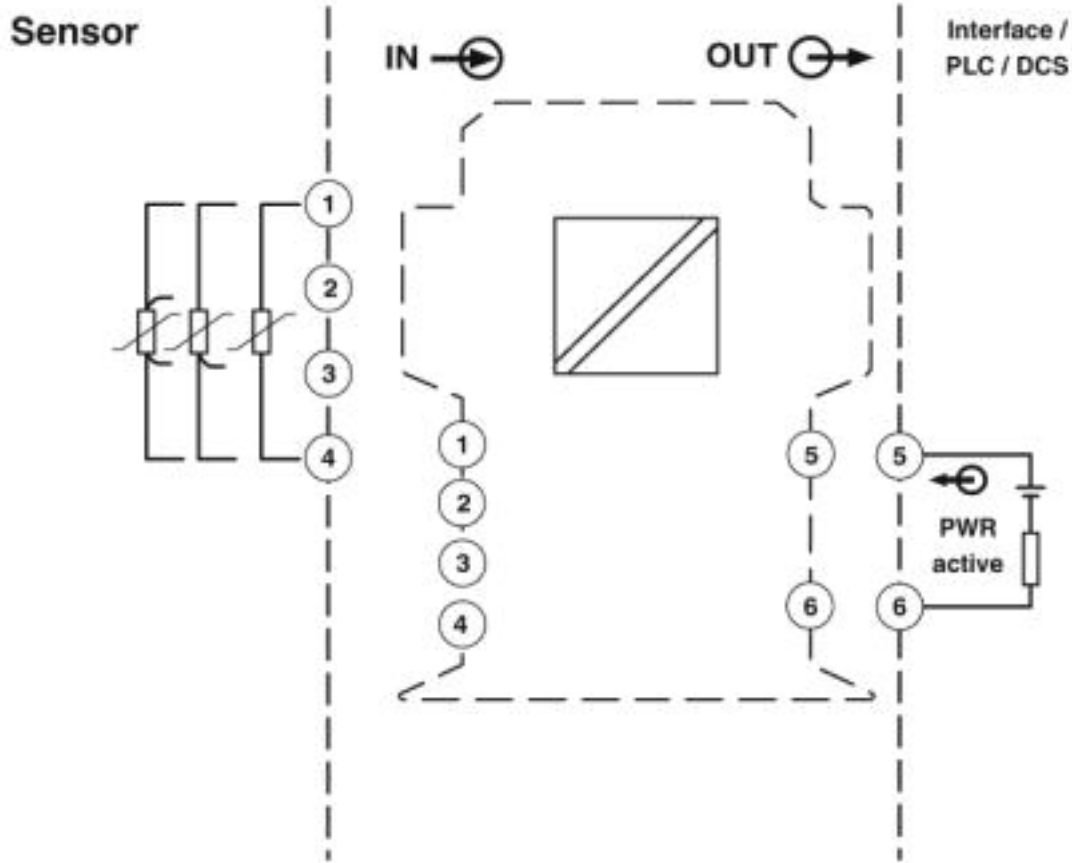
Environmental Product Compliance

China RoHS	Environmentally friendly use period: unlimited = EFUP-e
	No hazardous substances above threshold values

Drawings

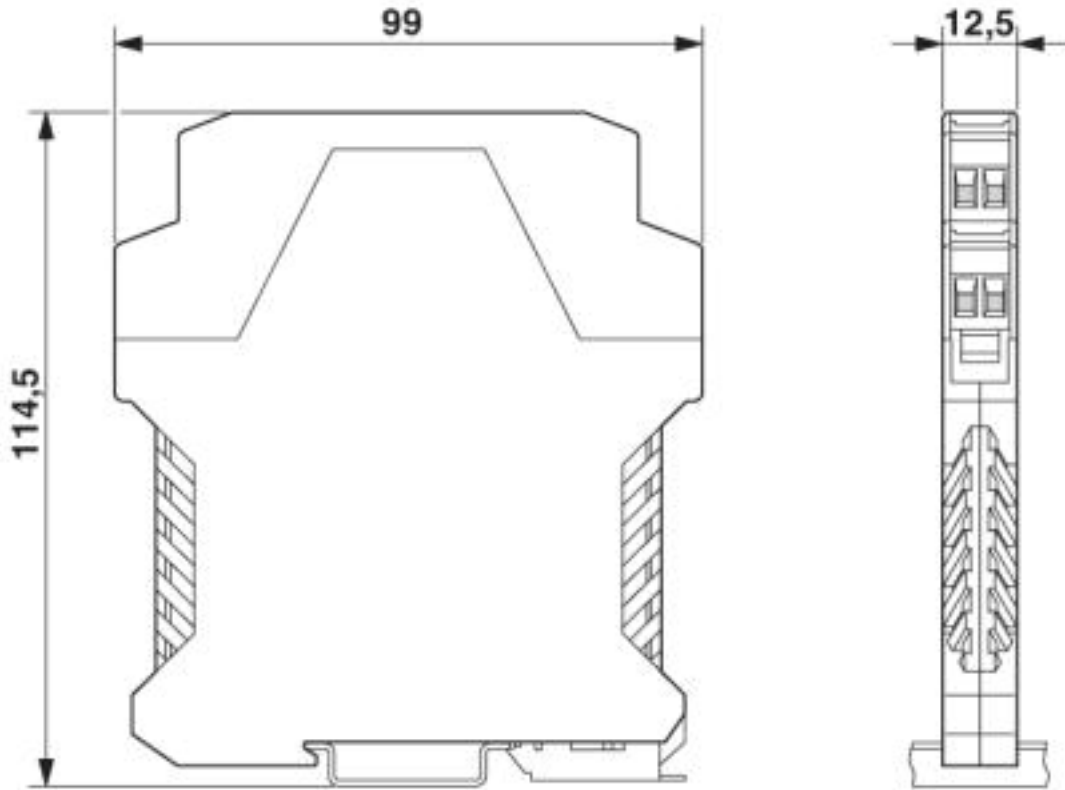
Temperature measuring transducer - MCR-SL-PT100-LP-I - 2864558

Block diagram

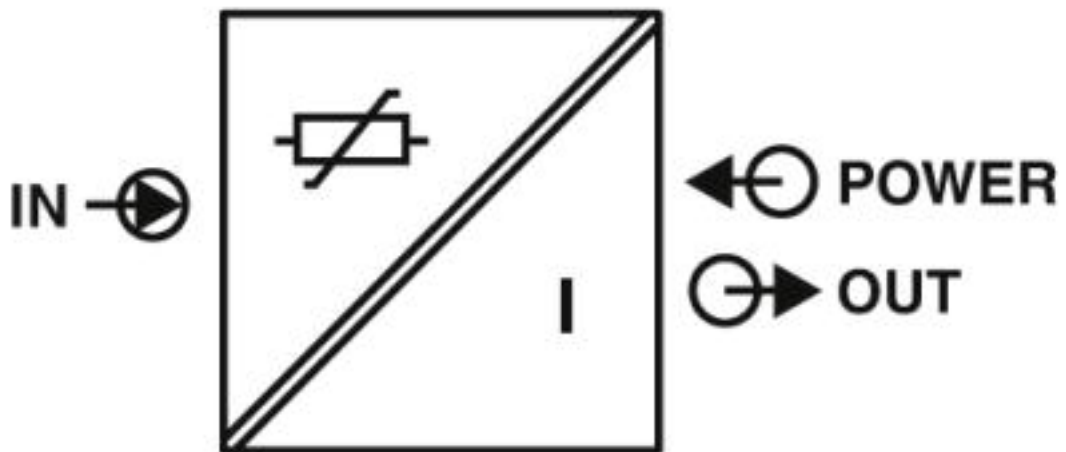


Temperature measuring transducer - MCR-SL-PT100-LP-I - 2864558

Dimensional drawing

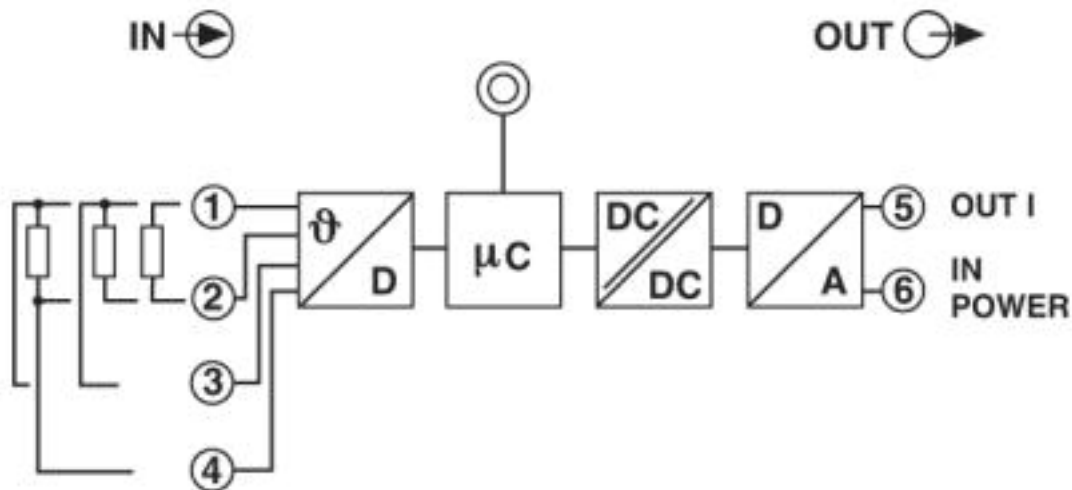


Pictogram



Temperature measuring transducer - MCR-SL-PT100-LP-I - 2864558

Circuit diagram



Approvals

Approvals

Approvals

UL Recognized / cUL Recognized / EAC / cULus Recognized

Ex Approvals

UL Listed / cUL Listed / cULus Listed

Approval details

UL Recognized		http://database.ul.com/cgi-bin/XYV/template/LISEXT/1FRAME/index.htm	FILE E 198586
cUL Recognized		http://database.ul.com/cgi-bin/XYV/template/LISEXT/1FRAME/index.htm	FILE E 198586
EAC			RU C- DE.A*30.B.01082
cULus Recognized			

Phoenix Contact 2019 © - all rights reserved
<http://www.phoenixcontact.com>

PHOENIX CONTACT GmbH & Co. KG
Flachsmarktstr. 8
32825 Blomberg
Germany
Tel. +49 5235 300
Fax +49 5235 3 41200
<http://www.phoenixcontact.com>