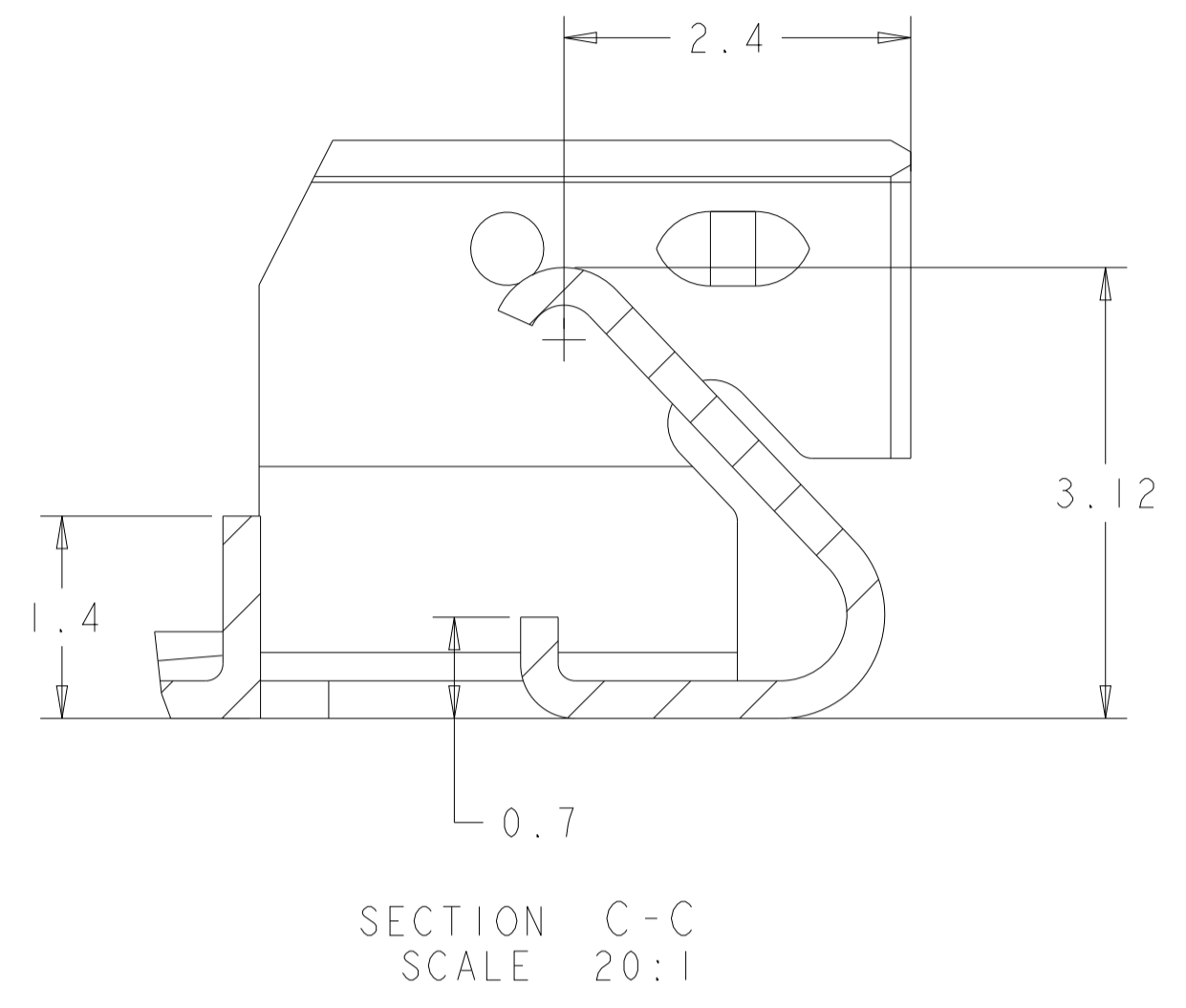
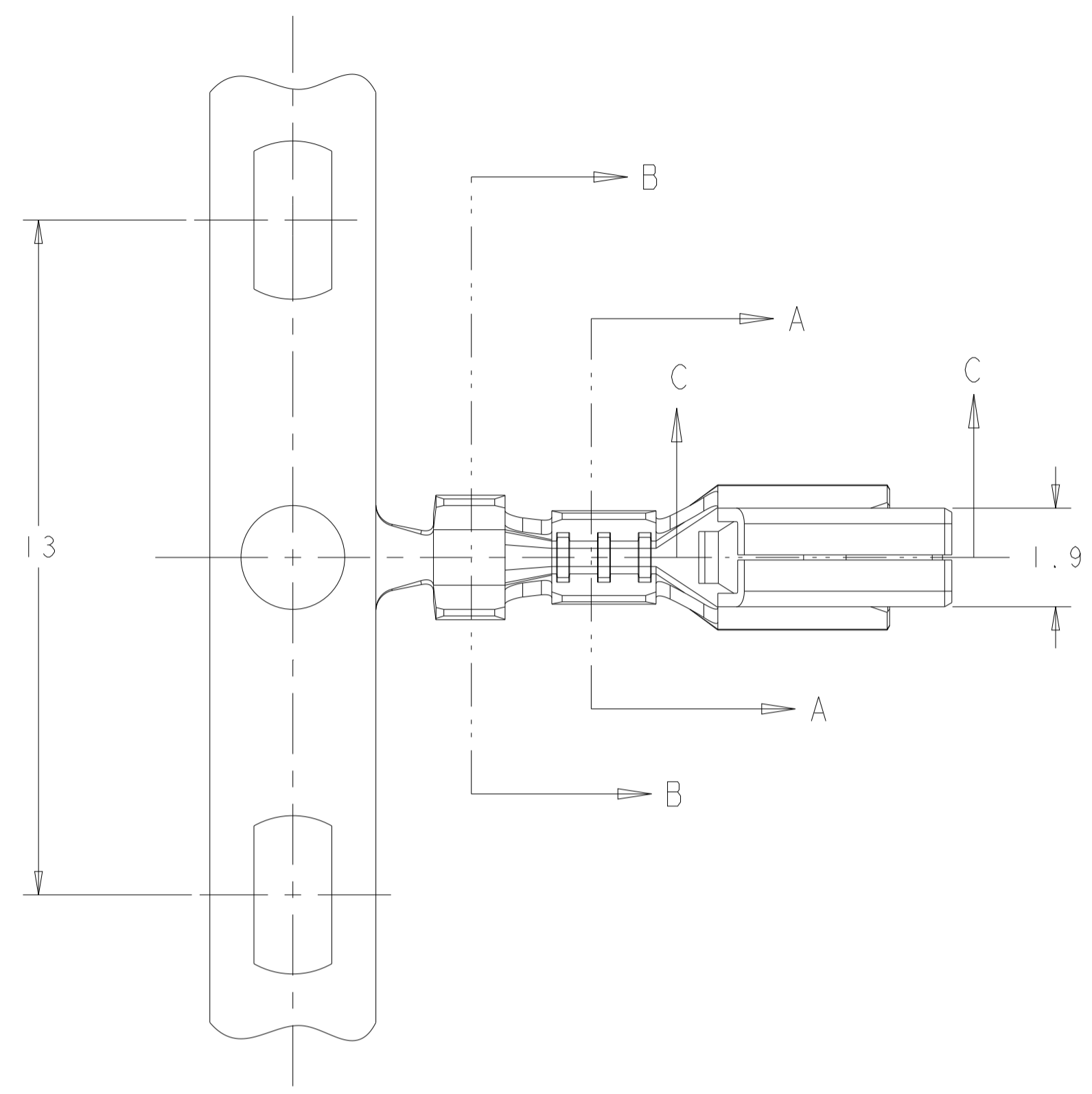
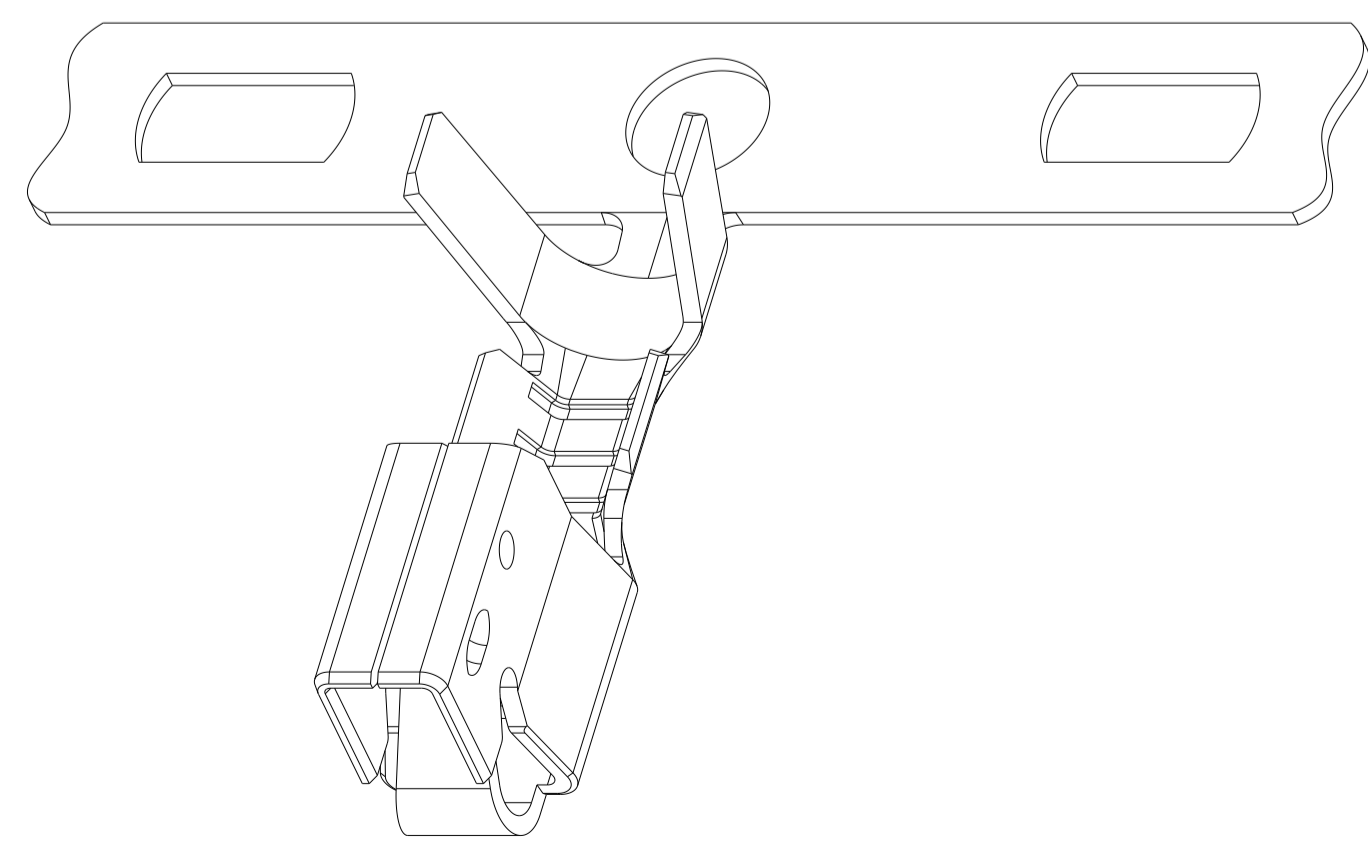
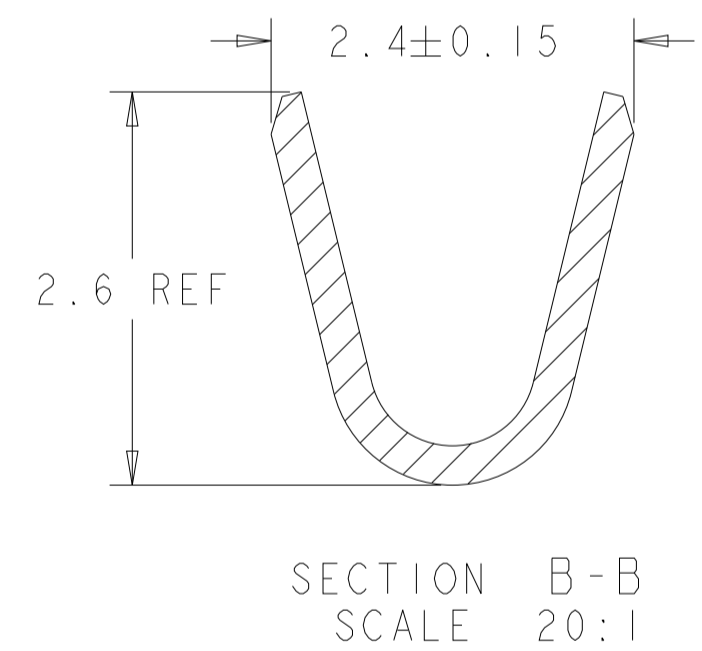
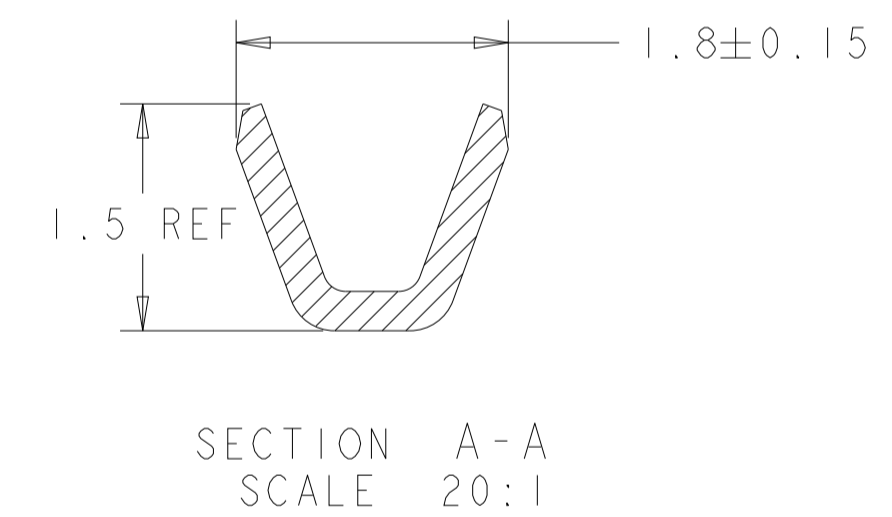
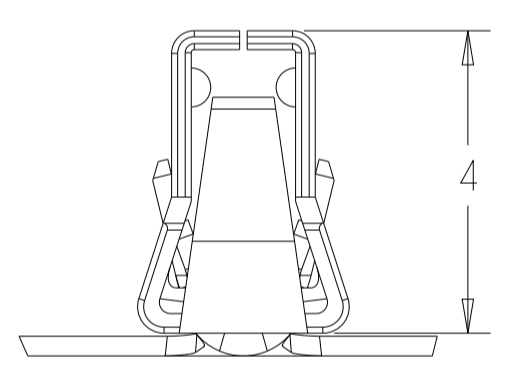
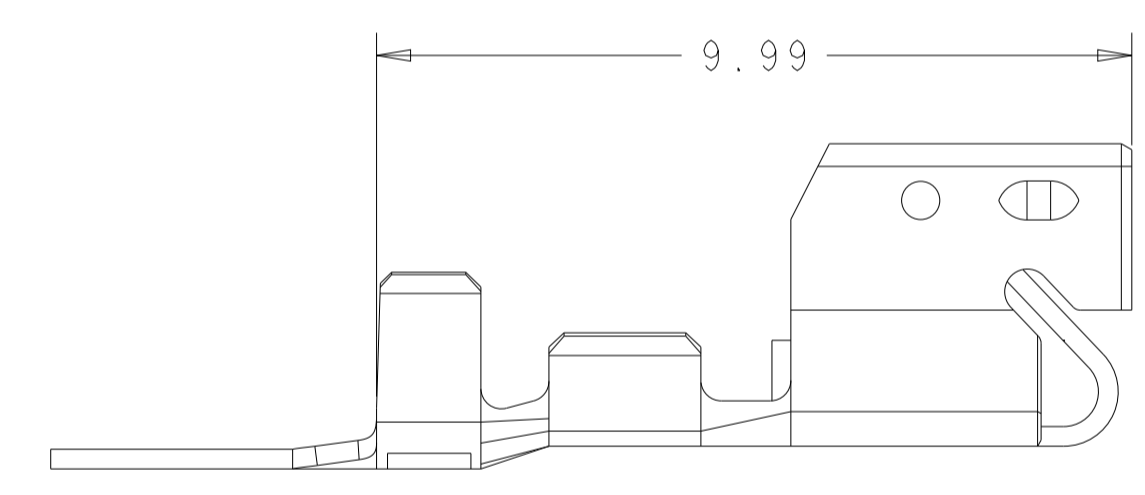


LOC		DIST		REVISIONS			
P	LTN	DESCRIPTION	DATE	DWN	APVD		
A		FIRST RELEASED	23DEC2021	WH	LC		



- 1 MATERIAL: COPPER ALLOY, 0.8μM PRE-TIN OVER 0.5μM MIN COPPER.
- 2 RECOMMENDED MATING PART: []-2132781-[] OR []-1744416-[]
- 3 PACKAGING: ON REEL
- 4 REFERENCE CRIMP INFORMATION:
 WIRE RANGE: 26-24 AWG [0.20-0.13mm²].
 WIRE INSULATION RANGE: .1.3-1.5MM DIA.
- 5 CONTACTS COATED WITH TE ANTI-FRETTING LUBRICANT.



THIS DRAWING IS A CONTROLLED DOCUMENT.		DWN: WARREN HUO 16SEP2019	PHOS BRONZE	2356981-1
		CHK: DANIEL ZHANG 16SEP2019	LUBRICANT	FINISH
		APVD: DANIEL ZHANG 16SEP2019	MATERIAL	PART NO
DIMENSIONS: MM		NAME: DANIEL ZHANG	TE Connectivity SOCKET CONTACT, LANCELESS, STD 24-26AWG, ECONOMY POWER II	
0 PLC ±0.5 1 PLC ±0.25 2 PLC ±0.15 3 PLC ± 4 PLC ± ANGLES ±2° FINISH SEE TABLE		PRODUCT SPEC: 108-2297 APPLICATION SPEC: 114-13265 WEIGHT: - RESTRICTED CUSTOMER		
MATERIAL: SEE TABLE		SIZE: A1	CAGE CODE: 00779	DRAWING NO: C=2356981
		SCALE: N/A	SHEET: 1	OF: 1
			REV: A	