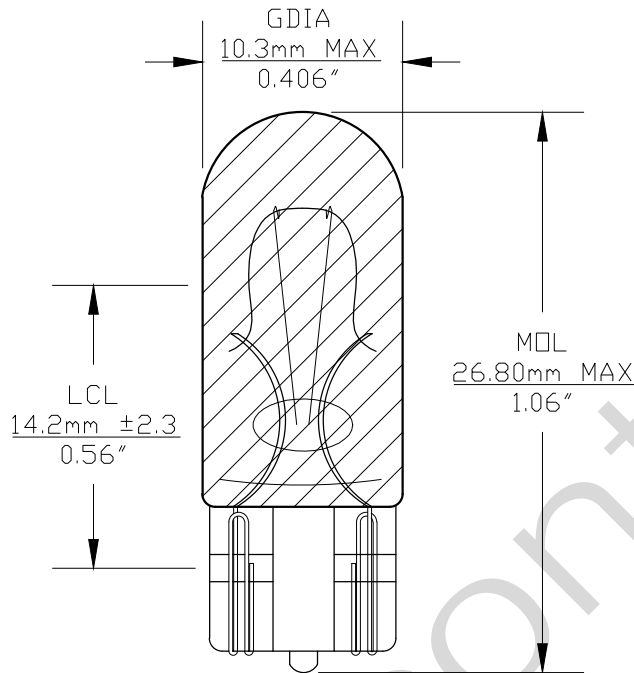
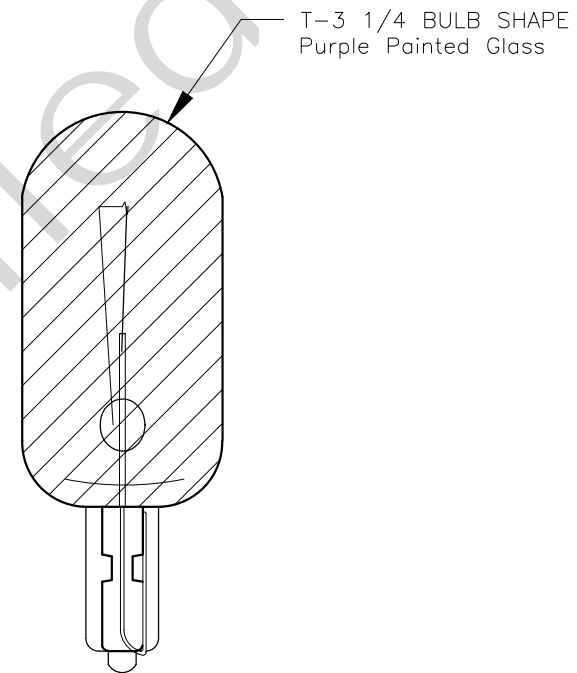




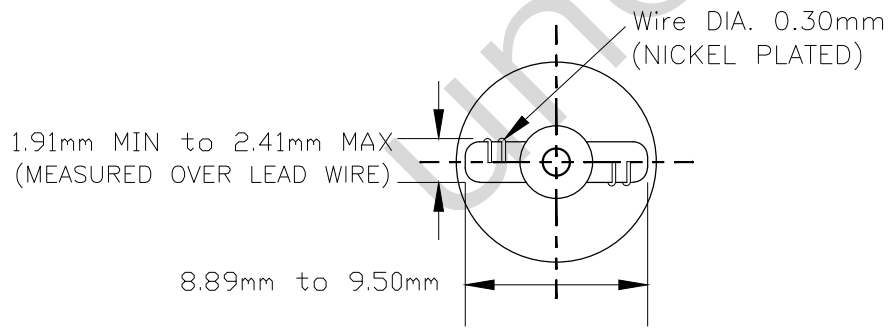
PART NO.	BASE TYPE	DESIGN VOLTS	DESIGN AMPS	MSCD	FILAMENT TYPE	AVERAGE LIFE HOURS	REVISIONS			
							REV #	DESCRIPTION	DATE	APPROVED
194P	Glass Wedge T-3 1/4 (W2.1X9.2d)	14.0V	0.27±10%	1.5±30%	C-2F	1500	1	ISSUED	05/23/2014	R.M.



0° VIEW



90° VIEW



BASE BOTTOM VIEW



UNLESS OTHERWISE SPECIFIED: DIMENSIONS ARE IN INCHES TOLERANCES		CEC INDUSTRIES LTD			
DECIMALS	ANGULAR	599 BOND STREET		LINCOLNSHIRE, IL 60069	
.XX ± .05	± 0.5°	TITLE LIGHT BULB NO. 194P, PURPLE			
.XXX ± .010		DATE 05/23/2014	SIZE A	FSCM NO.	DWG NO. 194P
FRACTIONAL	± 1/64	CHECKED	SCALE	PLOT SCALE	REV 1
DRAWN R. M.		DESIGN		SHEET 1 OF 1	
MATERIAL		FILE 194P.pdf		DRAWING NOT TO SCALE	