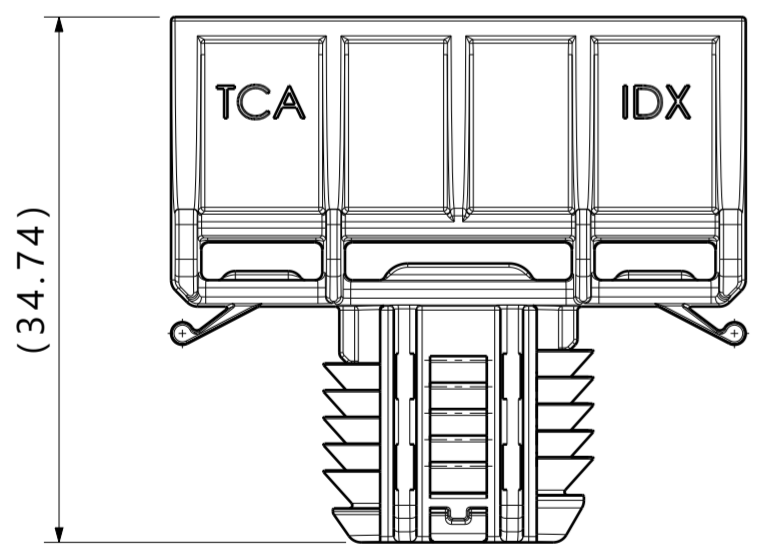
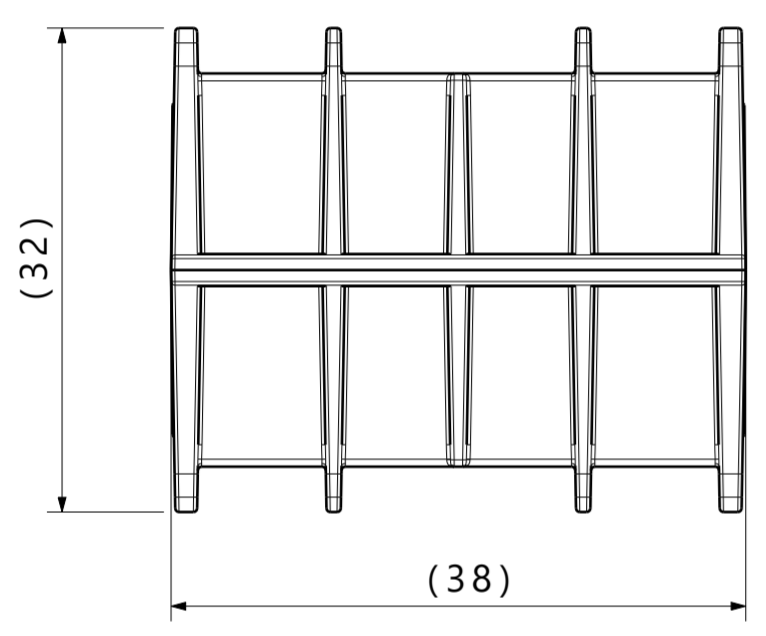
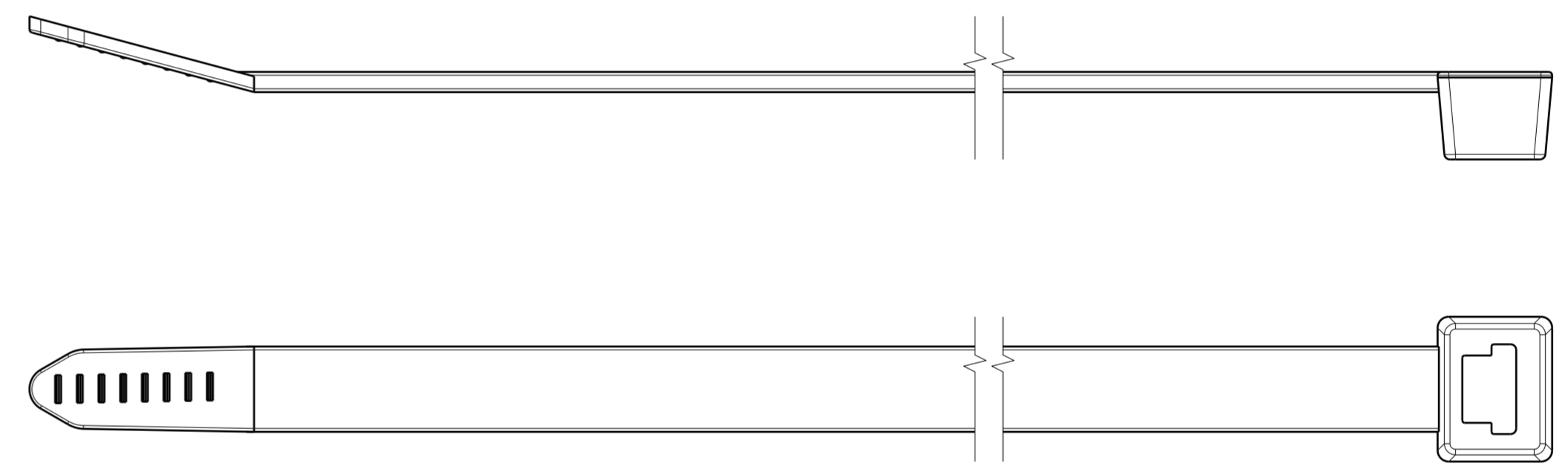
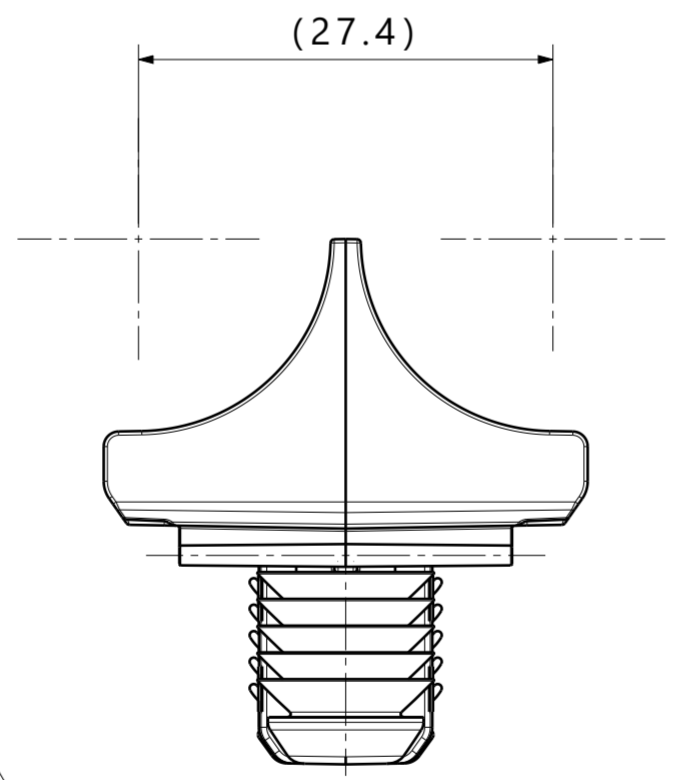


Scale 1:1
Assembled Example
For Reference Only



Mount
Delivery Condition: Unassembled Set

02.1



Cable Tie
Delivery Condition: Unassembled Set

Reference:
1. Tested at the component level
2. Tested at dry as molded

Performance requirements at dry as molded:
1. Fir tree push in force: 45 newtons (10 lbf) max in each applicable nominal oval hole size and a plate thickness of 1.8mm.
2. Fir tree pull out force: 110 newtons (25 lbf) min in each applicable nominal oval hole size and a plate thickness of 1.8mm.
3. Minimum loop tensile cable tie strength: 535N

Notes:
1. Material: See chart
2. Material color: See chart
3. Maximum percent regrind permissible: 25%
4. Max allowable flash to be: 0.5mm
5. Max allowable mismatch to be: 0.1mm

Global Part Description		Bundle Range	Cable tie				Mount		
T120R2XDHVSDL12x17-PA66HIRHSUV-BK		5 to 105	Qty	Drawing	Material	Color	Drawing	Material	Color
			2	CT2120003CST	PA66HIRHSUV	Black	21-0163-001-CSU	PA66HIRHSUV	Black

Revision Level			Revision Record		
Drawing	State	Part	Date	By	Description
02.1	Design Release	-	2021/09/20	Duncan	
	Changed		2021/09/21	Karabon	

The copyright of this drawing is reserved by HellermannTyton.

All drawing revisions are stored in CAD PDM database

Units: mm

HellermannTyton
www.HellermannTyton.com

Drawn	Duncan	Date	2021/02/11
Approved	Haftarski	Date	2021/02/15
Title			
T120 Cable tie with Dual Saddle Mount with 12X17mm Fir Tree			
Drawing-No			
21-0162-101-CSU			
Scale	2:1		
Global Project Number	21-0162		
Format	A2		
Sheet	1 / 1		