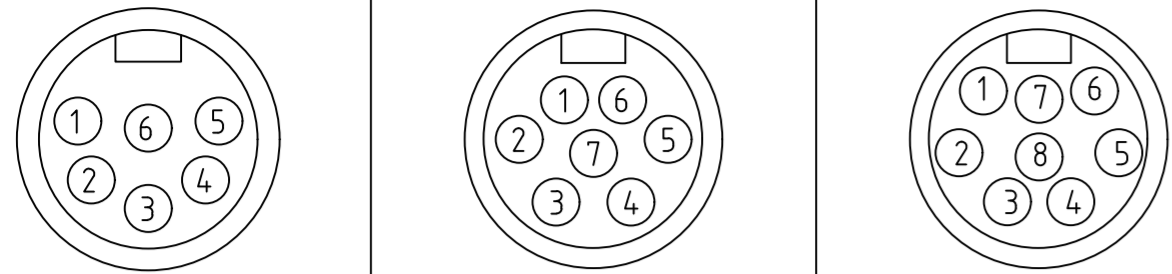


FACE VIEW-MALE INSERT



1 ORANGE  
2 BLUE  
3 BLACK  
4 WHITE  
5 RED  
6 GREEN

1 WHITE/BLACK  
2 BLACK  
3 WHITE  
4 RED  
5 ORANGE  
6 BLUE  
7 GREEN/YELLOW

1 ORANGE  
2 BLUE  
3 WHITE/BLACK  
4 BLACK  
5 WHITE  
6 RED  
7 GREEN/YELLOW  
8 RED/BLACK

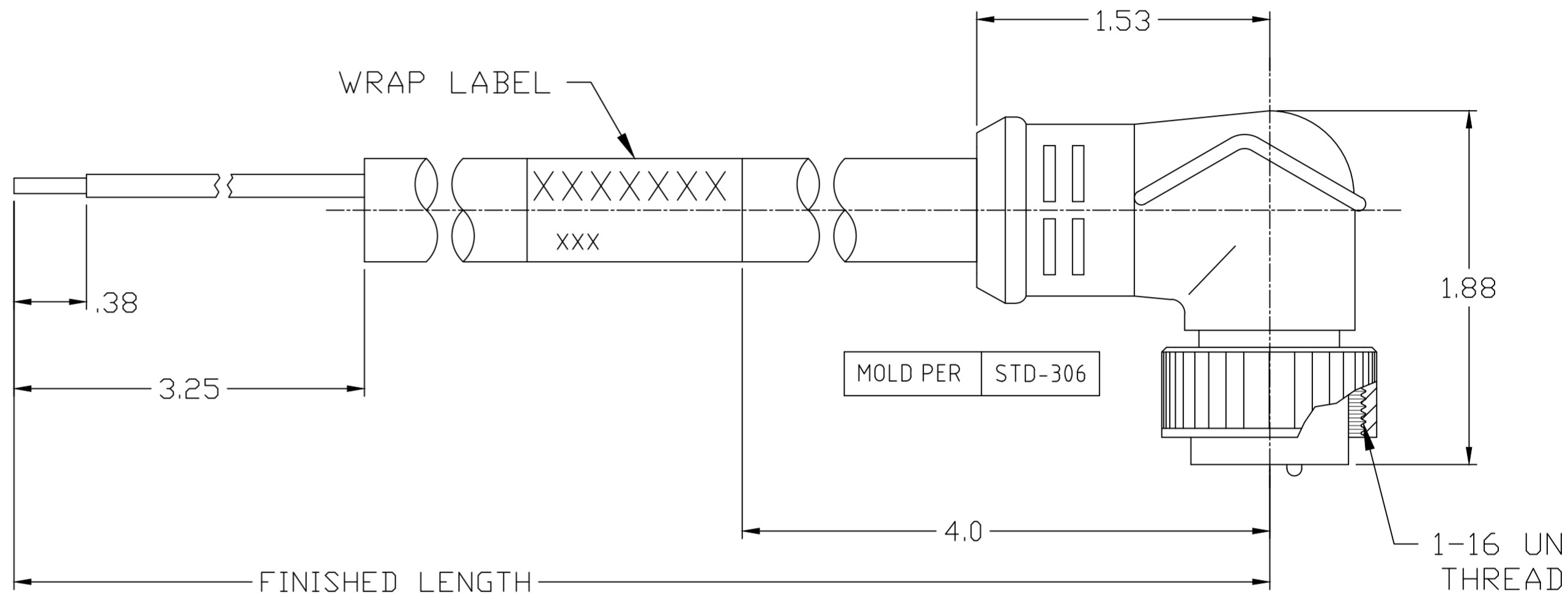
PART NO.	POLES	ENGINEERING NO.	FINISHED LENGTH
1300070062	6	206003A01F030	3.0FT [0.9M]
1300070128	7	207003A01F060	6.0FT [1.8M]
1300070131	7	207003A01F120	12.0FT [3.7M]
1300070223	8	208003A01F200	20.0FT [6.1M]

**CABLE LENGTH TOLERANCES**

>.3M [1FT]: +19mm-0 [+ .75in-0]  
 .3 - .9M [1 - 3FT]: +44.5mm-0 [+1.75in-0]  
 .9 - 1.8M [3 - 6FT]: +55.6mm-0 [+2.19in-0]  
 1.8 - 3.7M [6 - 12FT]: +88.9mm-0 [+3.50in-0]  
 3.7 - 7.3M [12 - 24FT]: +165.1mm-0 [+6.50in-0]  
 7.3-14.6M [24 - 48FT]: +317.5mm-0 [+12.50in-0]  
 14.6 - 30.5M [48-100FT]: +622.3mm-0 [+24.50in-0]  
 OVER 30M [100FT] +2% OF FINISHED LENGTH

NOTES:

- MATERIAL: AS NOTED
- FINISH: AS NOTED
- ELECTRICAL:  
 VOLTAGE: 6P 400V PER IEC 60664  
 7P & 8P: 320V PER IEC 60664  
 6,7 & 8P: 600V PER UL 2238  
 CURRENT: 6P & 7P: 8A, 8P: 7A
- TEMP RATING: -20°C TO +105°C
- PROTECTION: IP67 (WHEN MATED)
- COUPLING THREAD: AS NOTED
- UL RECOGNIZED FILE: E152210  
 CANADIAN RECOGNIZED FILE: LR6837
- ALL DIMS ARE FOR REFERENCE UNLESS TOLERANCED OR NOTED OTHERWISE

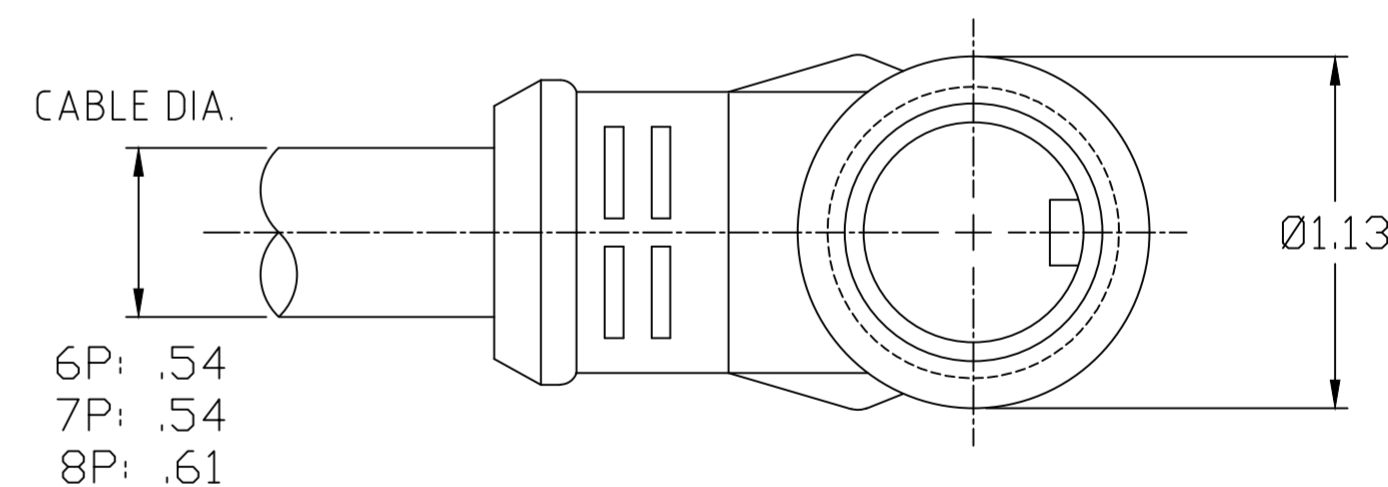


PART NUMBER LEGEND

206003A01F030

POLE COUNT →

FINISHED LENGTH:  
 F010= 1.0 FEET  
 F100= 10.0 FEET  
 M005= 0.5 METER  
 M010= 1.0 METER  
 M100= 10. METER



ITEM	DESCRIPTION	MATERIAL	FINISH
6	WRAP LABEL	VINYL	BLACK/YELLOW
5	OVERMOLD	TPE	YELLOW
4	COUPLING NUT, INT. THD	ZINC DIE-CAST	NICKEL PLATED
3	CONTACT PIN	COPPER ALLOY	GOLD PLATED
2	MALE INSERT	TPE	YELLOW
1	CABLE, 16AWG ST00W	PVC JACKET	YELLOW

SYMBOLS				THIS DRAWING CONTAINS INFORMATION THAT IS PROPRIETARY TO MOLEX ELECTRONIC TECHNOLOGIES, LLC AND SHOULD NOT BE USED WITHOUT WRITTEN PERMISSION			
DIMENSION UNITS		SCALE		CURRENT REV DESC: RELEASED			
INCH		1:1		<b>molex</b> MINI-CHANGE 90 CORD ASSEMBLY 6, 7 & 8 POLE, 16AWG ST00W			
GENERAL TOLERANCES (UNLESS SPECIFIED)							
4 PLACES ±----		mm		INCH		EC NO: 626697	
3 PLACES ±----		mm		INCH		DRWN: RSTONE 2019/11/07	
2 PLACES ±----		mm		INCH		CHK'D: ALEON01 2019/11/08	
1 PLACE ±----		mm		INCH		APPR: BWOODMAN 2019/11/11	
0 PLACES ±----		mm		INCH		INITIAL REVISION:	
ANGULAR TOL ± ----°		mm		INCH		DRWN: QW 1998/10/22	
DRAFT WHERE APPLICABLE MUST REMAIN WITHIN DIMENSIONS		mm		INCH		APPR: BW 1998/10/22	
THIRD ANGLE PROJECTION		DRAWING		SERIES		DOCUMENT NUMBER	
C-SIZE		130007		MATERIAL NUMBER		CUSTOMER	
PSD		000		GENERAL MARKET		SHEET NUMBER	
1 OF 1							