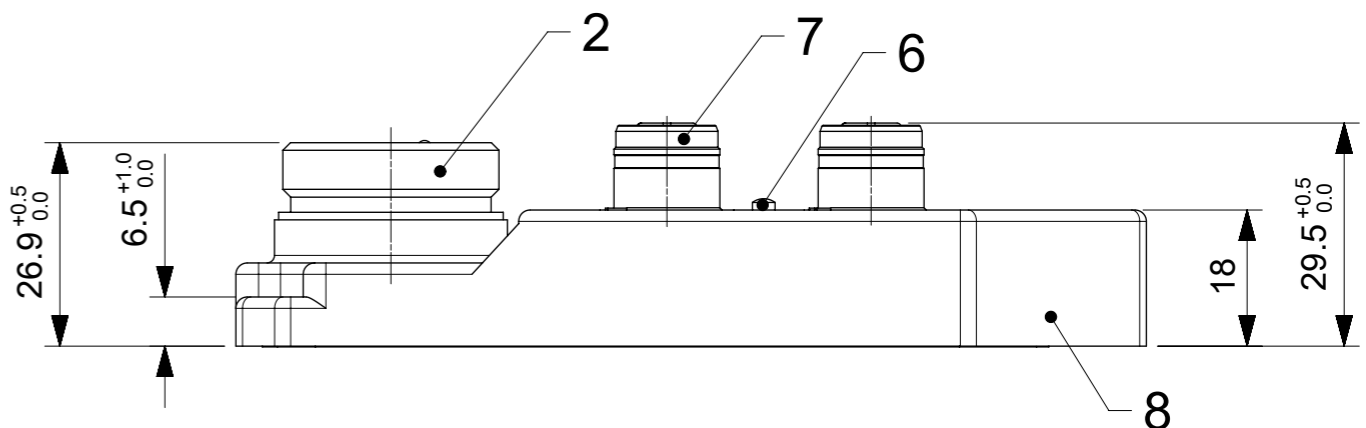
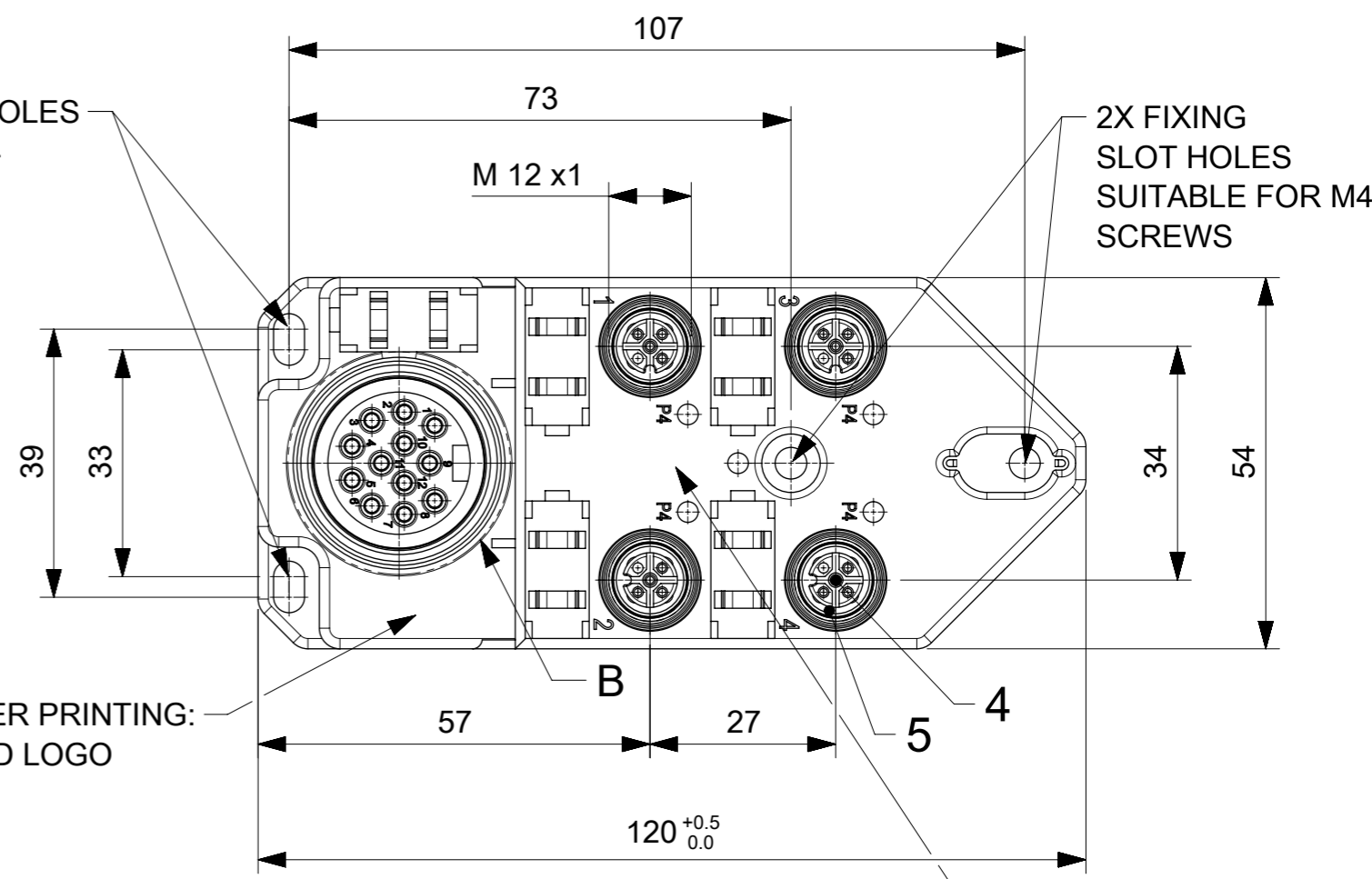
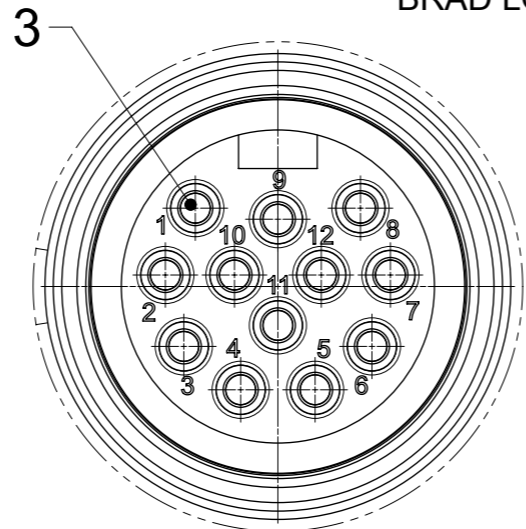
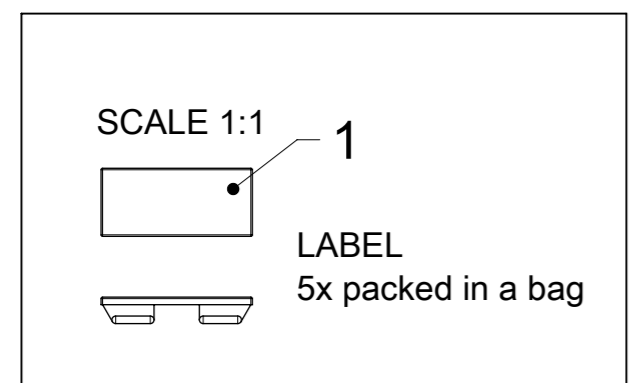


**TABLE 1**

MOLEX P/N	ENG. NO.	LED
1202510079	BKB4010-FBB	NO
1202510080	BKB401P-FBB	YES
1202510081	BKB401N-FBB	YES

**TABLE 2 BILL OF MATERIAL**

ITEM	DESCRIPTION	MATERIAL	FINISH
1	LABEL	ABS	WHITE
2	SHELL	BRASS	NICKEL PLATED
3	CONTACT	BRASS	GOLD OVER NICKEL
4	CONTACT	BRONZE	GOLD OVER NICKEL
5	O-RING	FPM	RED
6	LED	NO LED = PA	BLACK
		WITH LED = PA	TRANSPARENT
7	SHELL	BRASS	NICKEL PLATED
8	HOUSING	PBT	BLACK

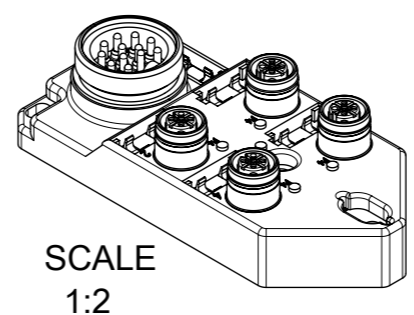


LASER PRINTING:  
PN: 120251XXXX  
ENG.: BKB401X-FBB  
PO: XXXXXXXXXX

**GENERAL CHARACTERISTICS:**

ELECTRICAL AND MECHANICAL DATA ACC. TO IEC 61076-2-101

NOMINAL VOLTAGE: 10-30 V DC  
 AMPERE RATING: 4 A PER PORT / 12 A MAX  
 AMPERE RATING WITH UL REGISTRATION: 3 A PER PORT / 9 A MAX  
 IP DEGREE OF PROTECTION: IP 67  
 TEMPERATURE RANGE: -25°C to + 85°C



SYMBOLS	THIS DRAWING CONTAINS INFORMATION THAT IS PROPRIETARY TO MOLEX ELECTRONIC TECHNOLOGIES, LLC AND SHOULD NOT BE USED WITHOUT WRITTEN PERMISSION	CURRENT REV DESC:	<b>molex</b>		
▽ = 0	DIMENSION UNITS: mm	SCALE: 1:1	MPIS U12 NON 4P 4PT MINI CHANGE BK SINGL		
▽ = 0	GENERAL TOLERANCES (UNLESS SPECIFIED)	EC NO: 630686	PRODUCT CUSTOMER DRAWING		
▽ = 0	ANGULAR TOL ± 1.0°	DRWN: SSM 2018/12/13	DOCUMENT NUMBER: 1202510079		
▽ = 0	4 PLACES ±	CHK'D: RSILLER 2020/01/17	DOC TYPE: PSD		
▽ = 0	3 PLACES ±	APPR: RSILLER 2020/01/17	DOC PART: 000		
▽ = 0	2 PLACES ± 0.05	INITIAL REVISION:	REVISION: A		
▽ = 0	1 PLACE ± 0.3	DRWN: SSM 2018/12/13	SHEET NUMBER: 1 OF 2		
▽ = 0	0 PLACES ± 0.5	APPR: RSILLER 2020/01/17	MATERIAL NUMBER: SEE TABLE 1		
■ = 0	DRAFT WHERE APPLICABLE MUST REMAIN WITHIN DIMENSIONS	THIRD ANGLE PROJECTION	CUSTOMER: GENERAL MARKET		
▽ = 0		DRAWING: A3-SIZE	SERIES: 120251		

