

PLEASE CHECK WWW.MOLEX.COM FOR LATEST PART INFORMATION

Part Number: [0879770051](#)
Status: **Active**
Description: 1.00mm Pitch Fully Buffered DIMM Socket, Vertical, Press-Fit, 240 Circuits, 1.8V Center Voltage Key, with Plastic Locating Peg and Press-Fit Metal Pins, with Off-White Latches, 0.76µm Gold (Au) Plating, Lead-Free

Documents:

[3D Model](#) [Application Specification AS-87746-001-001 \(PDF\)](#)
[Drawing \(PDF\)](#) [RoHS Certificate of Compliance \(PDF\)](#)
[Product Specification PS-87977-001-001 \(PDF\)](#)

Agency Certification

CSA LR19980
 UL E29179

General

Product Family Memory Module Sockets
 Series [87977](#)
 Comments Solder Tail Length at 3.15mm, Solder Tail Length at 3.15mm
 Component Type Socket
 Electrical Model Yes
 JEDEC Outline MO-256
 Product Name FB DIMM
 UPC 822350316514

Physical

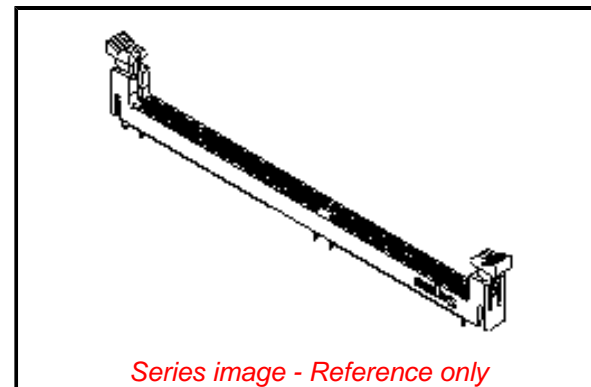
Circuits (Loaded) 240
 Durability (mating cycles max) 25
 Entry Angle Vertical (Top Entry)
 Flammability 94V-0
 Housing Color Black
 Keying to Mating Part Yes
 Latch Color Natural (Off-White)
 Material - Metal Phosphor Bronze
 Material - Plating Mating Gold
 Material - Plating Termination Tin
 Material - Resin High Temperature Thermoplastic
 Net Weight 10.600/g
 PC Tail Length 3.15mm
 PCB Locator Yes
 PCB Retention Yes
 PCB Thickness - Recommended 3.30mm
 Packaging Type Tray
 Pitch - Mating Interface 1.00mm
 Plating min - Mating 0.762µm
 Plating min - Termination 0.381µm
 Temperature Range - Operating -10° to +85°C
 Termination Interface: Style Through Hole - Compliant Pin

Electrical

Current - Maximum per Contact 1.0A
 Voltage - Maximum 30V
 Voltage Key 1.8V, Center

Solder Process Data

Lead-freeProcess Capability N/A



EU ELV

Not Relevant

EU RoHS

Compliant

REACH SVHC

Not Contained Per - ED/71/2019 (16 July 2019)

Halogen-Free

Status

Not Low-Halogen

For more information, please visit [Contact US](#)

China ROHS

ELV

RoHS Phthalates

China RoHS

Green Image

Not Relevant

Not Contained

Search Parts in this Series

[87977 Series](#)

Mates With

JEDEC MO-256 Modules

Material Info

Reference - Drawing Numbers

Application Specification	AS-87746-001-001
Electrical Model Document	EE-87977-001
Product Specification	PS-87977-001-001
S-Parameter Model	SP-87977-001
Sales Drawing	SD-87977-020

This document was generated on 09/18/2019

PLEASE CHECK WWW.MOLEX.COM FOR LATEST PART INFORMATION