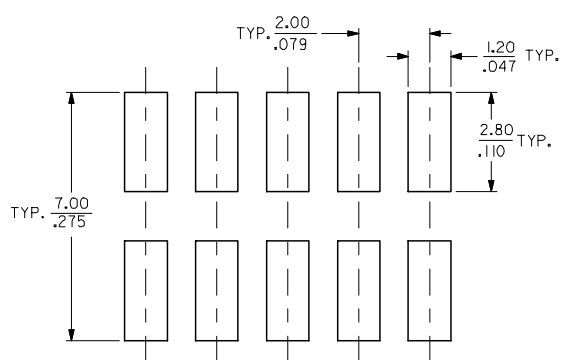
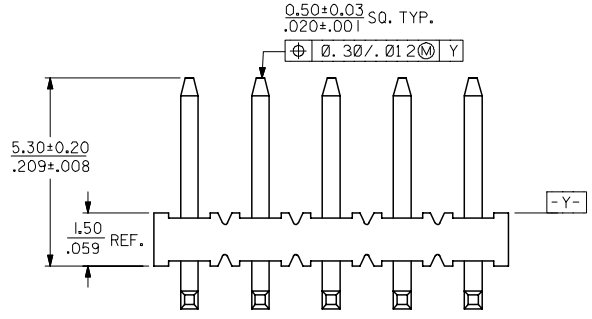
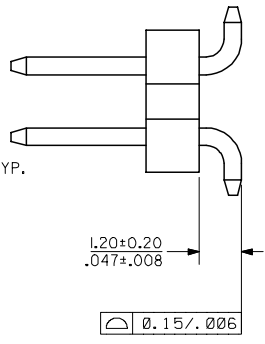
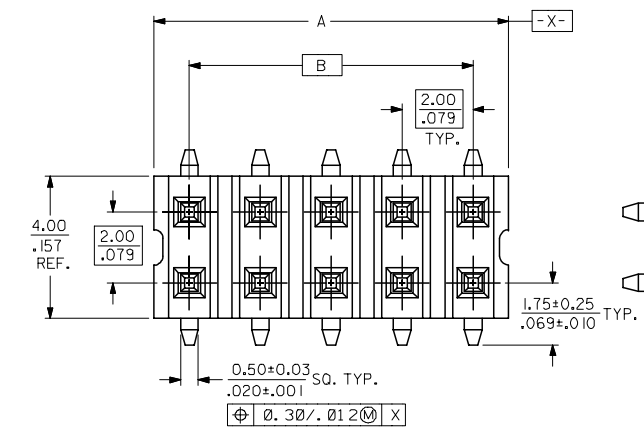


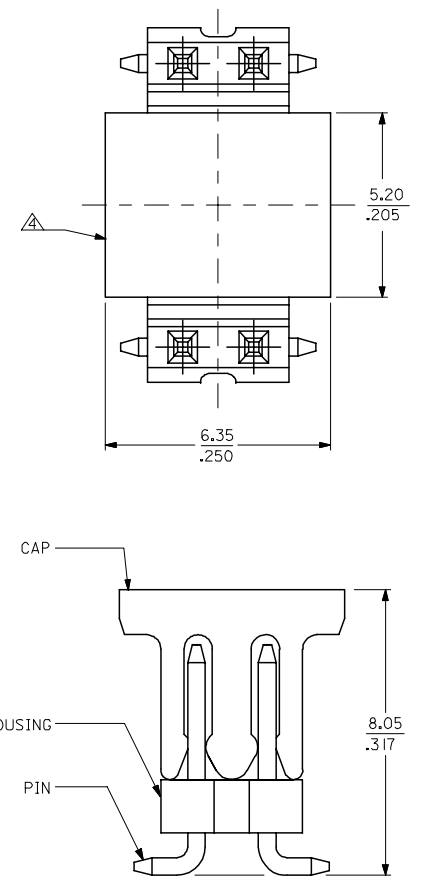
10 9 8 7 6 5 4 3 2 1

F
E
D
C
B
A



RECOMMENDED SOLDER PAD DESIGN

CKT SIZE	DIM A		DIM B	
	MM	INCH	MM	INCH
4	3.90	.154	2.00	.079
6	5.90	.232	4.00	.157
8	7.90	.311	6.00	.236
10	9.90	.390	8.00	.315
12	11.90	.468	10.00	.394
14	13.90	.547	12.00	.472
16	15.90	.626	14.00	.551
18	17.90	.705	16.00	.630
20	19.90	.783	18.00	.709
22	21.90	.862	20.00	.787
24	23.90	.941	22.00	.866
26	25.90	1.020	24.00	.945
28	27.90	1.098	26.00	1.024
30	29.90	1.177	28.00	1.102
32	31.90	1.256	30.00	1.181
34	33.90	1.334	32.00	1.260
36	35.90	1.413	34.00	1.338
38	37.90	1.492	36.00	1.417
40	39.90	1.571	38.00	1.496
42	41.90	1.650	40.00	1.575
44	43.90	1.728	42.00	1.653
46	45.90	1.807	44.00	1.732
48	47.90	1.886	46.00	1.811
50	49.90	1.965	48.00	1.890



- NOTES :
- FOR ILLUSTRATION PURPOSES, DRAWING SHOWS PART WITH IO CIRCUIT SIZE.
 - MATERIAL: HOUSING & CAP: NYLON 4/6 GLASS FILLED UL 94V-0, SUITABLE FOR SURFACE-MOUNT SOLDERING PROCESS. COLOR BLACK
PINS: 0.50MM SQ. PHOSPHOR BRONZE
 - PLATING: 076um/30uin MIN. GOLD PLATE AT CONTACT AREA AND 1.90um/75uin MIN. TIN/LEAD PLATE AT SOLDER TAIL, BOTH OVER 1.27um/50uin MIN. NICKEL UNDERPLATE.
- ⚠ POSITION OF CAP TO BE LOCATED AT CENTER OF DIMENSION 'A' REGARDLESS OF CIRCUIT SIZE.
- ⚠ TOP SURFACE OF CAP TO BE FLAT FOR THE PURPOSE OF PICK-&-PLACE BY VACUUM SUCTION NOZZLE.
- ⚠ ASSEMBLY PART TO BE PACKAGED IN TUBE OR TAPE & REEL, SEE SHEET 2, 3 & 4 FOR PART NUMBERS AND PACKAGING DETAILS.
- ⚠ PRODUCT SPECIFICATION PS-87049 APPLIES.
- ⚠ PART TO BE PACKED IN TRAY ONLY.

UPDATE REVISION EC NO: S2005-0714 2005/10/19 DRWN:KSEE CHKD:BLHOW 2005/10/19 APPR:PTLIM 2005/11/05	QUALITY SYMBOLS ▽=0 ▽=0	GENERAL TOLERANCES (UNLESS SPECIFIED)		DIMENSION STYLE		SCALE	DESIGN UNITS	THIRD ANGLE PROJECTION			
				MM/IN		NTS	METRIC				
				mm	INCH	DRAWN BY DATE		TITLE			
						JWAN 1994/04/24		SALES DRAWING			
		4 PLACES ± --- ± ---		CHECKED BY DATE		MGRID, 2MM DUAL ROW HDR. SMT					
		3 PLACES ± --- ± .008		SKTOH 1994/04/26		MOLEX MOLEX INCORPORATED					
		2 PLACES ± 0.2 ± ---		APPROVED BY DATE		SD-87267-***5					
		1 PLACE ± --- ± ---		ROY 1994/04/27		SHEET NO. 1 OF 4					
		ANGULAR ± ---°		MATERIAL NO.		DOCUMENT NO.					
		DRAFT WHERE APPLICABLE MUST REMAIN WITHIN DIMENSIONS		SEE TABLE		THIS DRAWING CONTAINS INFORMATION THAT IS PROPRIETARY TO MOLEX INCORPORATED AND SHOULD NOT BE USED WITHOUT WRITTEN PERMISSION					

9 8 7 6 5 4 3 2 1

	10	9	8	7	6	5	4	3	2	1	
CKT SIZE	ASSY No.		ASSY No.		ASSY No.	DIM "Bo"	DIM "F"	DIM "So"	DIM "W"	EMBOSSED TYPE	T&R QUANTITY PER REEL
F	4	87267-04 15	87267-04 65		87267-0475	5.40	11.50	-	24.00	C	500
	6	87267-06 15	87267-06 65		NA	NA	NA	NA	NA	NA	NA
	8	87267-08 15	87267-08 65		87267-08 75	NA	NA	NA	NA	NA	NA
	10	87267-10 15	87267-10 65		87267-10 75	10.20	11.50	-	24.00	A	500
	12	87267-12 15	87267-12 65		87267-12 75	NA	NA	-	NA	NA	NA
	14	87267-14 15	87267-14 65		87267-14 75	14.20	11.50	-	24.00	A	600
	16	87267-16 15	87267-16 65		87267-16 75	16.20	14.20	28.40	32.00	B	550
	18	87267-18 15	87267-18 65		87267-18 75	NA	NA	NA	NA	NA	NA
	20	87267-20 15	87267-20 65		87267-20 75	20.20	14.20	28.40	32.00	B	500
E	22	87267-22 15	87267-22 65		87267-22 75	NA	NA	NA	NA	NA	NA
	24	87267-24 15	87267-24 65		87267-24 75	24.20	20.20	40.40	44.00	B	600
	26	87267-26 15	87267-26 65		87267-26 75	NA	NA	NA	NA	NA	NA
	28	87267-28 15	87267-28 65		87267-28 75	NA	NA	NA	NA	NA	NA
	30	87267-30 15	87267-30 65		87267-30 75	30.20	20.20	40.40	44.00	B	600
	32	87267-32 15	87267-32 65		87267-32 75	NA	NA	NA	NA	NA	NA
	34	87267-34 15	87267-34 65		87267-34 75	NA	NA	NA	NA	NA	NA
	36	87267-36 15	87267-36 65		87267-36 75	NA	NA	NA	NA	NA	NA
	38	87267-38 15	87267-38 65		87267-38 75	NA	NA	NA	NA	NA	NA
	40	87267-40 15	87267-40 65		87267-40 75	40.20	26.20	52.40	56.00	B	600
D	42	87267-42 15	87267-42 65		NA	NA	NA	NA	NA	NA	NA
	44	87267-44 15	87267-44 65		NA	NA	NA	NA	NA	NA	NA
	46	87267-46 15	87267-46 65		NA	NA	NA	NA	NA	NA	NA
	48	87267-48 15	87267-48 65		NA	NA	NA	NA	NA	NA	NA
	50	87267-50 15	87267-50 65		NA	NA	NA	NA	NA	NA	NA

ASSY PART NUMBER LEGEND :

87267 - * * * 5
 CKT SIZE

CAP & PACKAGING OPTION

- 1 -- WITHOUT CAP WITH TUBE PACKAGING (EXCEPT FOR 4 CKT, SEE NOTE 8)
- 6 -- WITH CAP WITH TUBE PACKAGING
- 7 -- WITH CAP WITH TAPE & REEL PACKAGING

UPDATE REVISION EC NO: S2005-0714 DRWN:KSEE CHKD:BLW APPR:PTLIM 2005/10/19 2005/10/19 2005/11/05	QUALITY SYMBOLS = 0 = 0	GENERAL TOLERANCES (UNLESS SPECIFIED)		DIMENSION STYLE MM/IN		SCALE NTS	DESIGN UNITS METRIC	THIRD ANGLE PROJECTION		
			mm	INCH	DRAWN BY JWAN	DATE 1995/04/24	TITLE SALES DRAWING MGRID, 2MM DUAL ROW HDR. SMT			
		4 PLACES	± ---	± ---	CHECKED BY SKTOH	DATE 1995/04/26				
		3 PLACES	± ---	± .008	APPROVED BY ROY		DATE 1995/04/27	MOLEX INCORPORATED		
2 PLACES	± 0.2	± ---	MATERIAL NO.		DOCUMENT NO.	SHEET NO.				
1 PLACE	± ---	± ---	DRAFT WHERE APPLICABLE MUST REMAIN WITHIN DIMENSIONS		SIZE A3	THIS DRAWING CONTAINS INFORMATION THAT IS PROPRIETARY TO MOLEX INCORPORATED AND SHOULD NOT BE USED WITHOUT WRITTEN PERMISSION				
ANGULAR ± ---°		SEE TABLE		SD-87267-***5		2 OF 4				

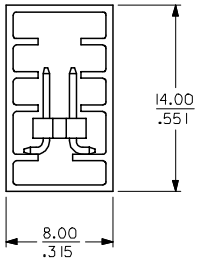
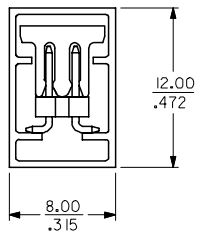
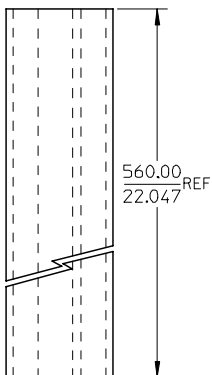
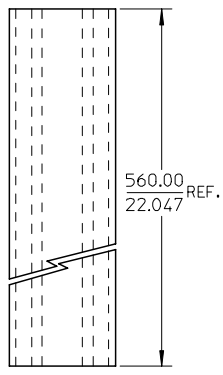
10 9 8 7 6 5 4 3 2 1

F
E
D
C
B
A

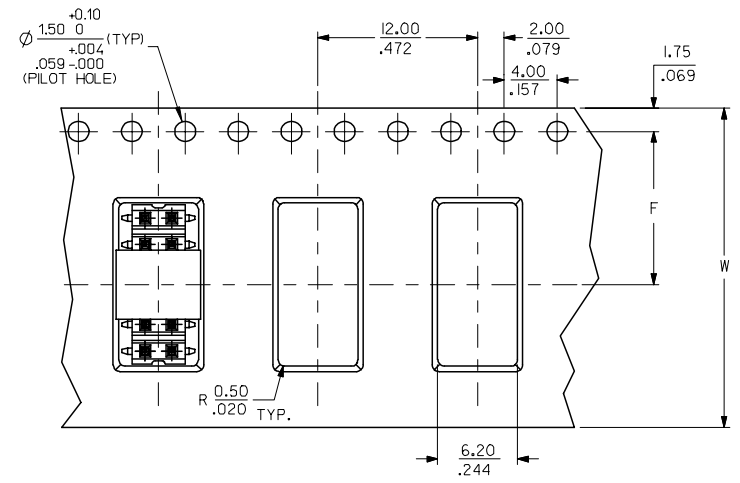
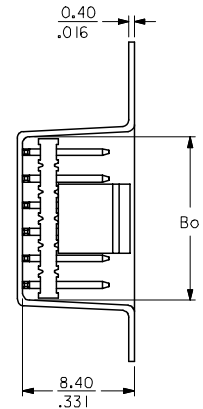
F
E
D
C
B
A

WITH CAP
TUBE PACKAGING

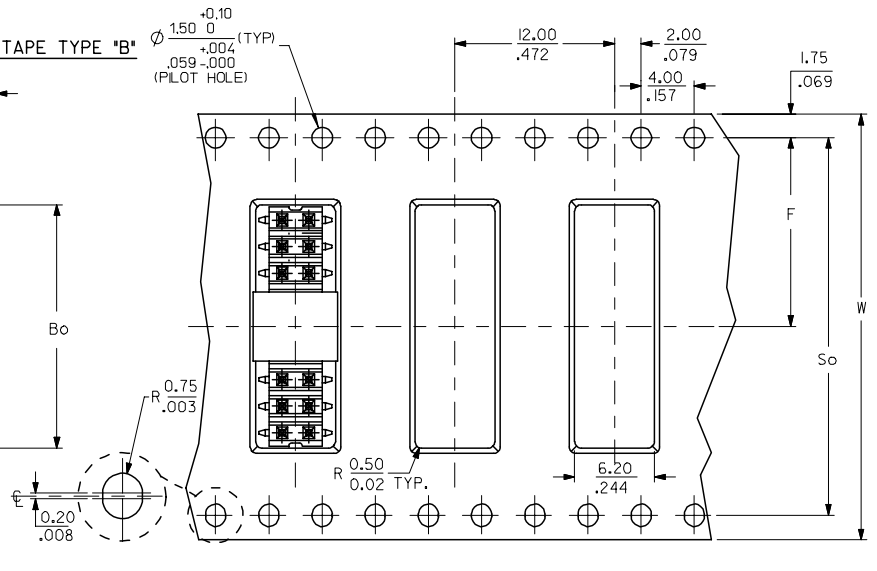
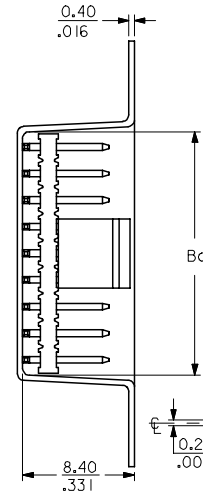
WITHOUT CAP
TUBE PACKAGING



EMBOSSED CARRIER TAPE TYPE "A"



EMBOSSED CARRIER TAPE TYPE "B"



UPDATE REVISION	2005/10/19	2005/11/05
EC NO: S2005-0714	2005/10/19	2005/11/05
DRWN:KSEE	2005/10/19	
CHKD:BLW		
APPR:PTLIM		
REV	DESCRIPTION	
A6		

QUALITY SYMBOLS	▽=0
	∇=0

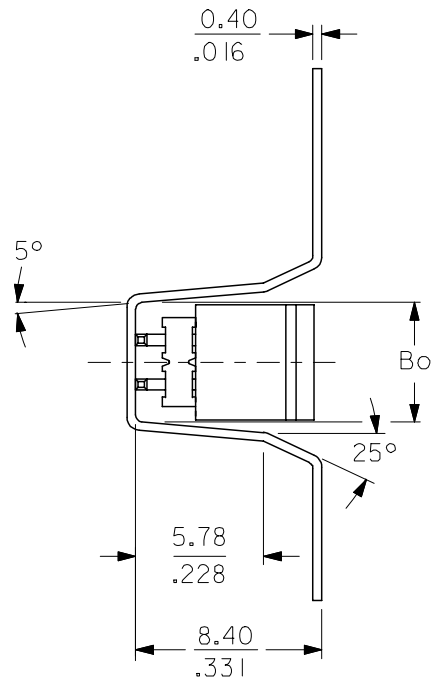
GENERAL TOLERANCES (UNLESS SPECIFIED)	mm	INCH
4 PLACES	± ---	± ---
3 PLACES	± ---	± .008
2 PLACES	± 0.2	± ---
1 PLACE	± ---	± ---
ANGULAR	± ---°	
DRAFT WHERE APPLICABLE MUST REMAIN WITHIN DIMENSIONS		

DIMENSION STYLE		MM/IN
DRAWN BY	DATE	TITLE
JWAN	1995/04/24	SALES DRAWING MGRID, 2MM DUAL ROW HDR. SMT
CHECKED BY	DATE	
SKTOH	1995/04/26	MOLEX INCORPORATED
APPROVED BY	DATE	
ROY	1995/04/27	
MATERIAL NO.	DOCUMENT NO.	SHEET NO.
SEE TABLE	SD-87267-***5	3 OF 4
THIS DRAWING CONTAINS INFORMATION THAT IS PROPRIETARY TO MOLEX INCORPORATED AND SHOULD NOT BE USED WITHOUT WRITTEN PERMISSION		

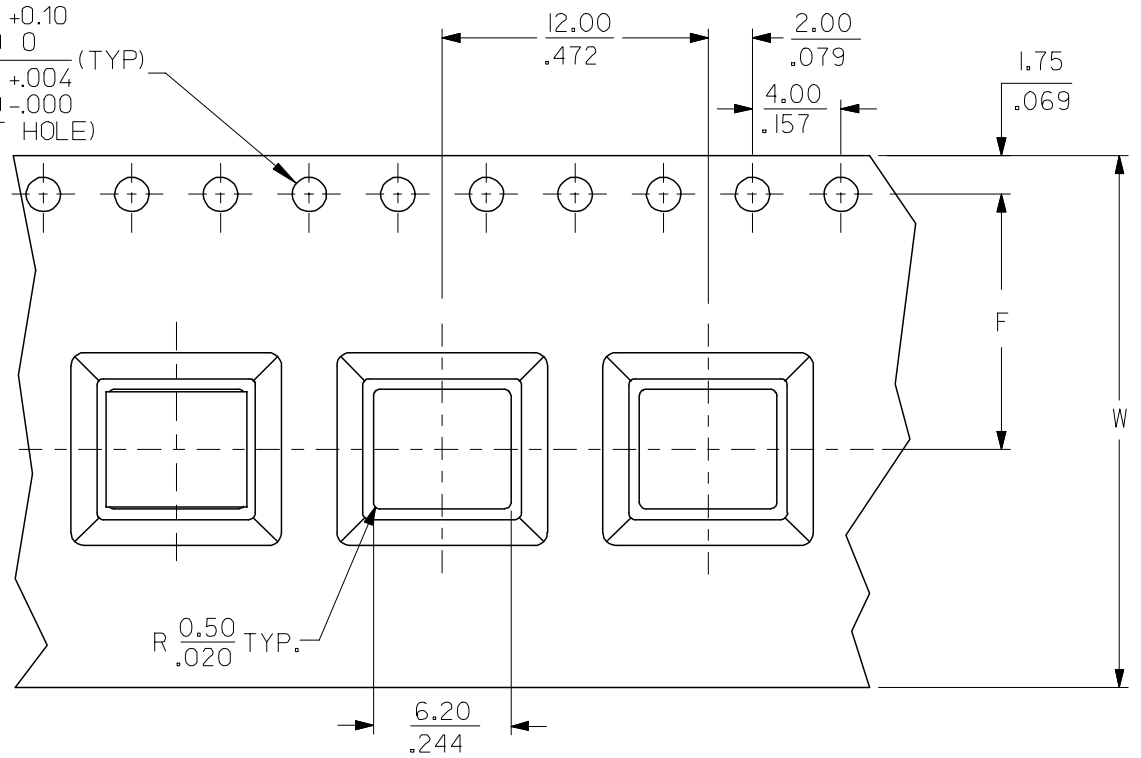
SCALE	DESIGN UNITS	THIRD ANGLE PROJECTION
NTS	METRIC	

9 8 7 6 5 4 3 2 1

EMBOSSED CARRIER TAPE TYPE "C"

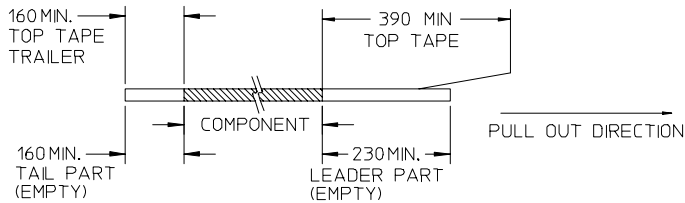


$\phi \frac{+0.10}{0} \frac{-.004}{.059} \frac{-.000}{.000}$ (TYP)
(PILOT HOLE)

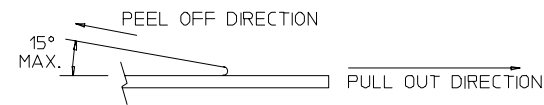


NOTES:

1. LEADER AND TRAILER TAPE



2. PEELING OFF FORCE OF THE TOP TAPE: 20-80gf.
(PEELING DIRECTION AS SHOWN IN FOLLOWING FIGURE)



3. PACKAGING STANDARD IS AS PER EIA-481.

4. TAPE & REEL QUANTITY = SEE TABLE

THIS TYPE OF CARRIER IS FOR CKT SIZE 8 AND BELOW.

ADD LEADER & TRAILER EC NO: S2005-0714 DRWN:KSEE CHKD:BLW APPR:PTLIM	2005/10/19 2005/10/19 2005/11/05	DESCRIPTION A6	QUALITY SYMBOLS	GENERAL TOLERANCES (UNLESS SPECIFIED)	DIMENSION STYLE	SCALE	DESIGN UNITS	THIRD ANGLE PROJECTION		
			$\nabla=0$ $\sphericalcap=0$	mm INCH 4 PLACES ± --- ± --- 3 PLACES ± --- ± .008 2 PLACES ± 0.2 ± --- 1 PLACE ± --- ± --- ANGULAR ± ---°	MM/IN	NTS	METRIC	DRAWN BY: JWAN CHECKED BY: SKTOH APPROVED BY: ROY DATE: 1994/04/24 DATE: 1994/04/26 DATE: 1994/04/22	TITLE	SALES DRAWING MGRID, 2MM DUAL ROW HDR. SMT
			DRAFT WHERE APPLICABLE MUST REMAIN WITHIN DIMENSIONS	SEE TABLE	MATERIAL NO.	DOCUMENT NO.	SHEET NO.	MOLEX INCORPORATED SD-87267-***5 4 OF 4		
			THIS DRAWING CONTAINS INFORMATION THAT IS PROPRIETARY TO MOLEX INCORPORATED AND SHOULD NOT BE USED WITHOUT WRITTEN PERMISSION							