

MATERIAL NUMBER	# OF COLUMNS	# OF DIFF PAIR	DIM "A" MAX	DIM "B"	PTH \varnothing
76410-*8**	8	24	22.80	13.30	0.46 \pm 0.05
76410-*1**	10	30	26.60	17.10	0.46 \pm 0.05
76410-*4**	14	42	34.20	24.70	0.46 \pm 0.05
76410-*6**	16	48	38.00	28.50	0.46 \pm 0.05
76410-*8**	8	24	22.80	13.30	0.39 \pm 0.05
76410-*1**	10	30	26.60	17.10	0.39 \pm 0.05
76410-*4**	14	42	34.20	24.70	0.39 \pm 0.05
76410-*6**	16	48	38.00	28.50	0.39 \pm 0.05

76410-***

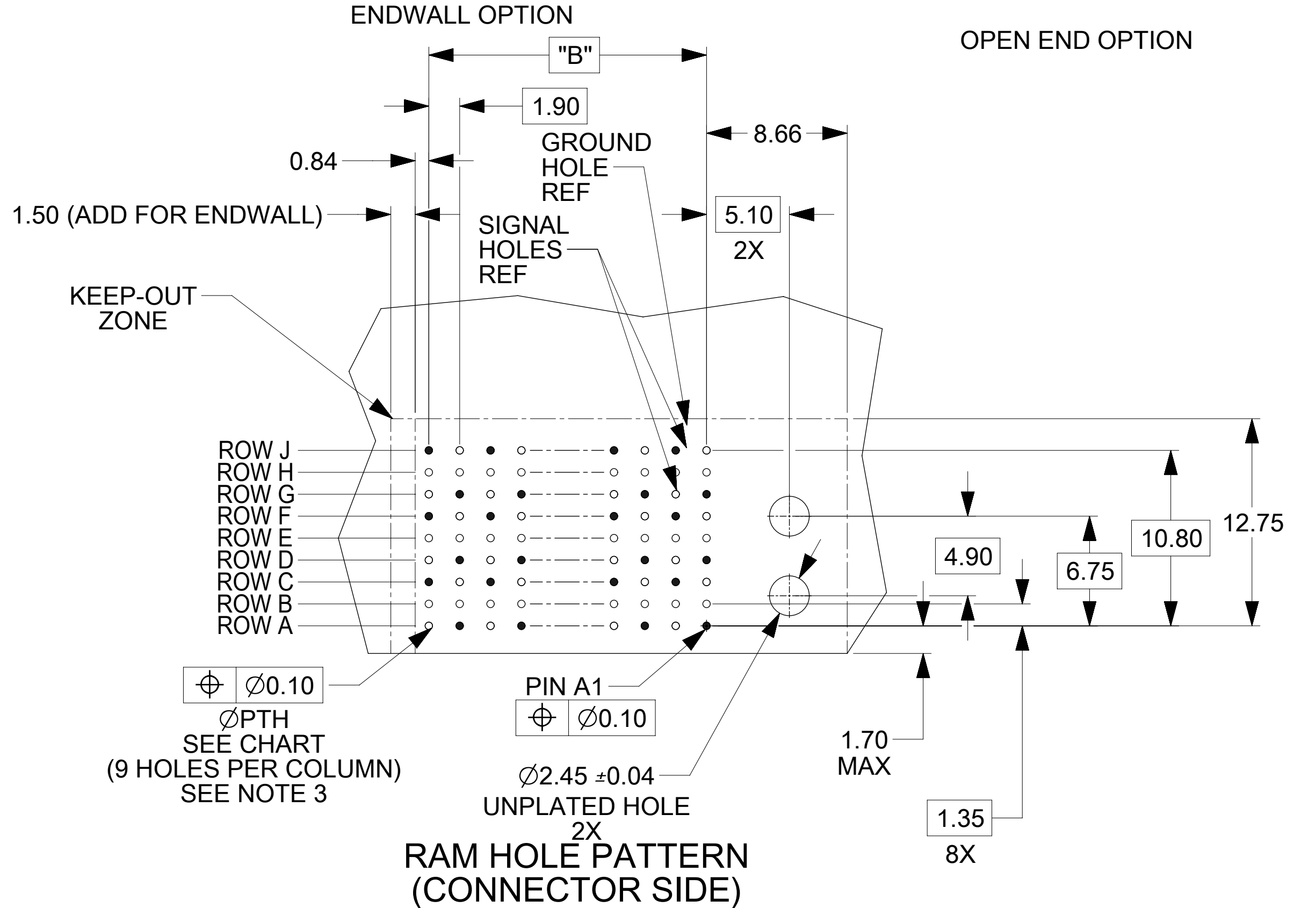
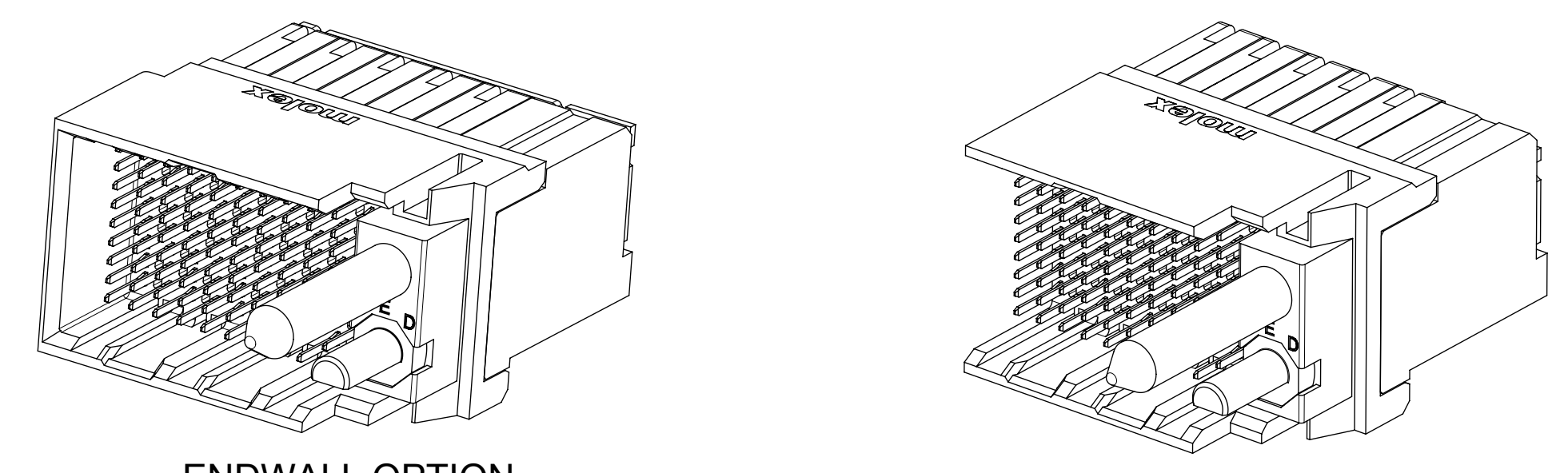
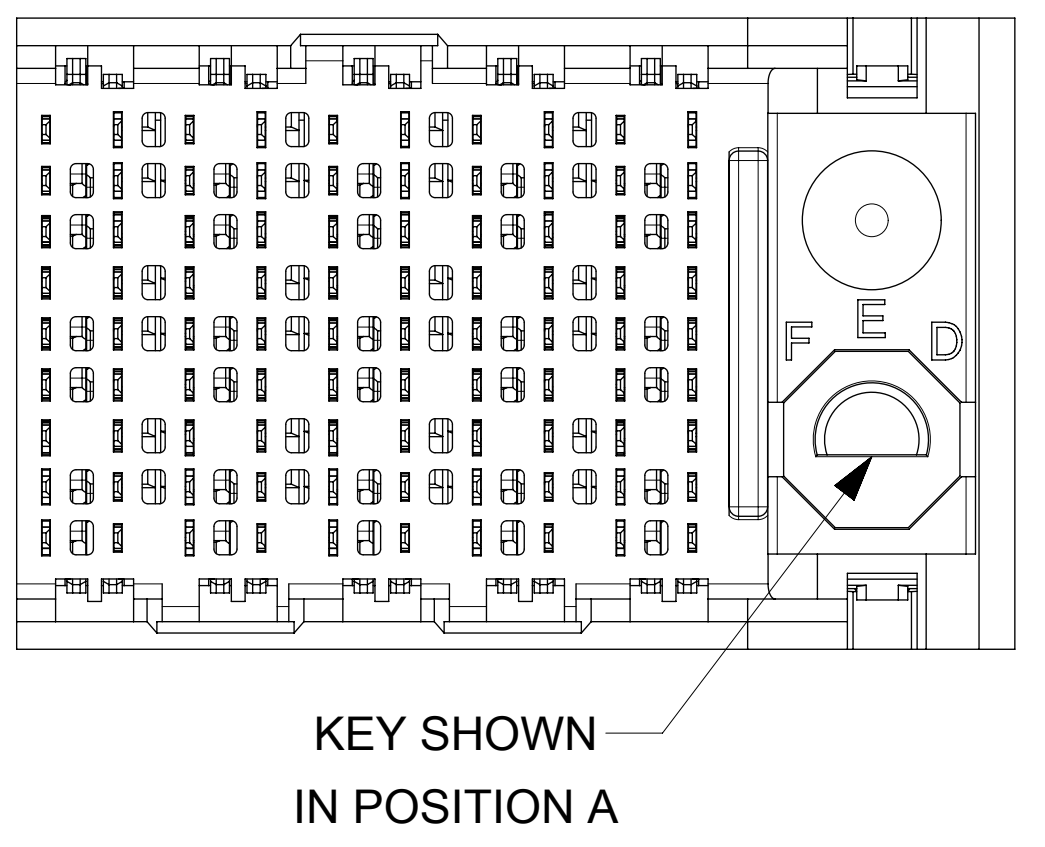
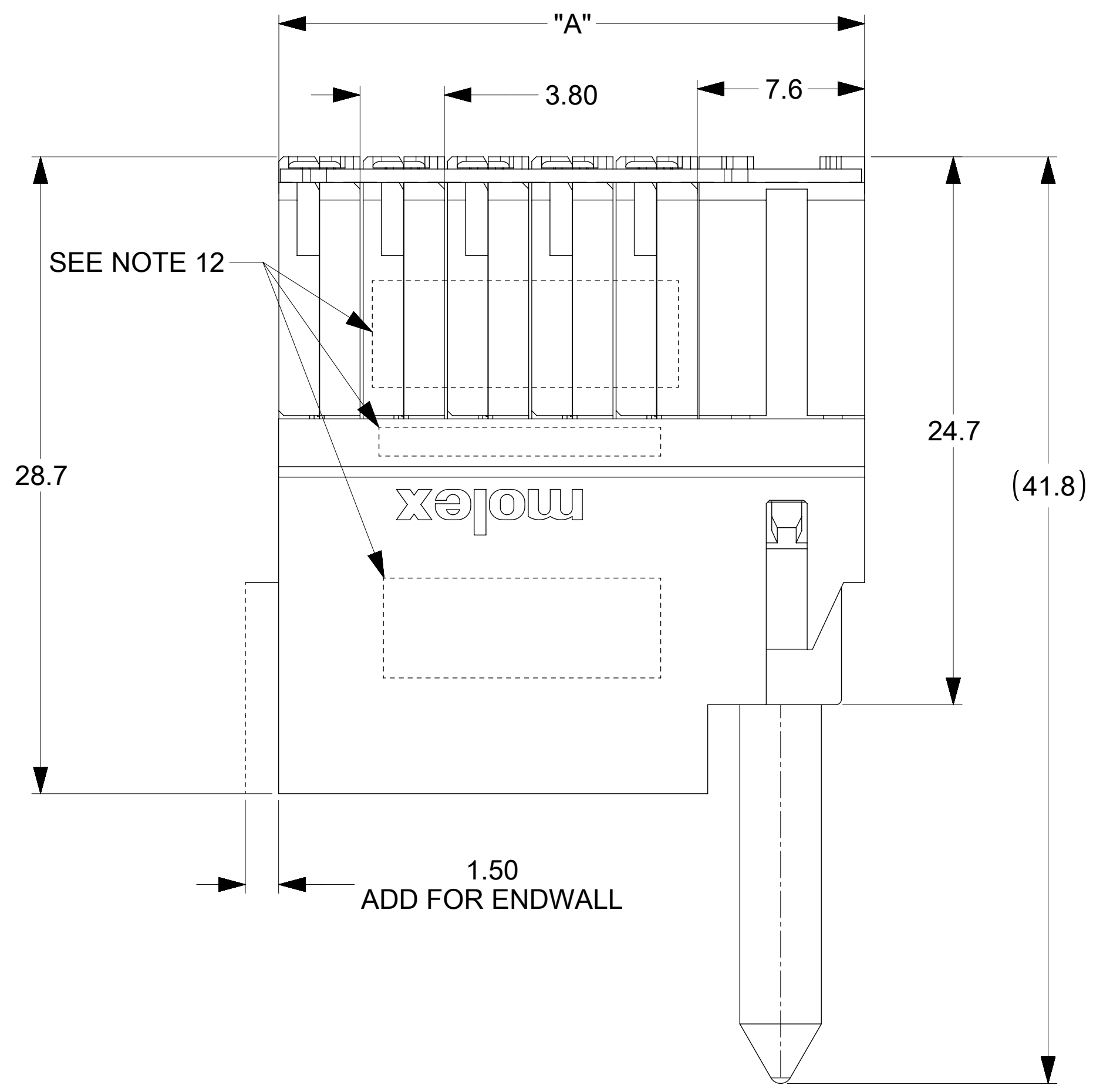
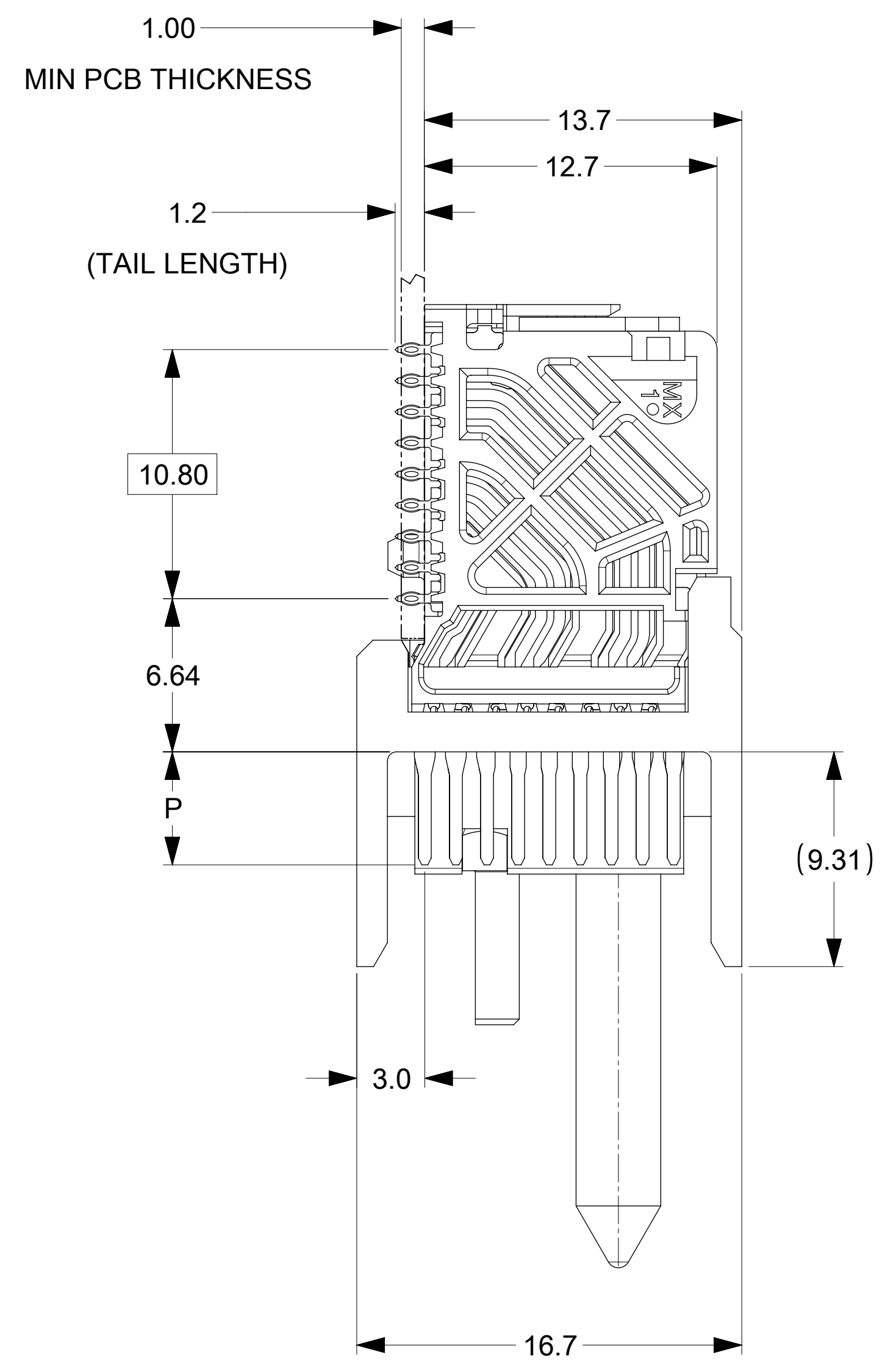
MODULE & TAIL PLATING TYPE
 5 = RIGHT GUIDED LEAD-FREE
 9 = RIGHT GUIDED LEAD-FREE W/ ENDWALL

PIN LENGTH (P)
 4 = 4.90 (0.46 PTH)
 5 = 5.50 (0.46 PTH)
 7 = 4.90 (0.39 PTH)
 8 = 5.50 (0.39 PTH)

OF COLUMNS
 1 = 10 COL
 4 = 14 COL
 6 = 16 COL
 8 = 8 COL

POLARIZATION KEY ORIENTATION
 0 = NO KEY
 1 = A 5 = E
 2 = B 6 = F
 3 = C 7 = G
 4 = D 8 = H

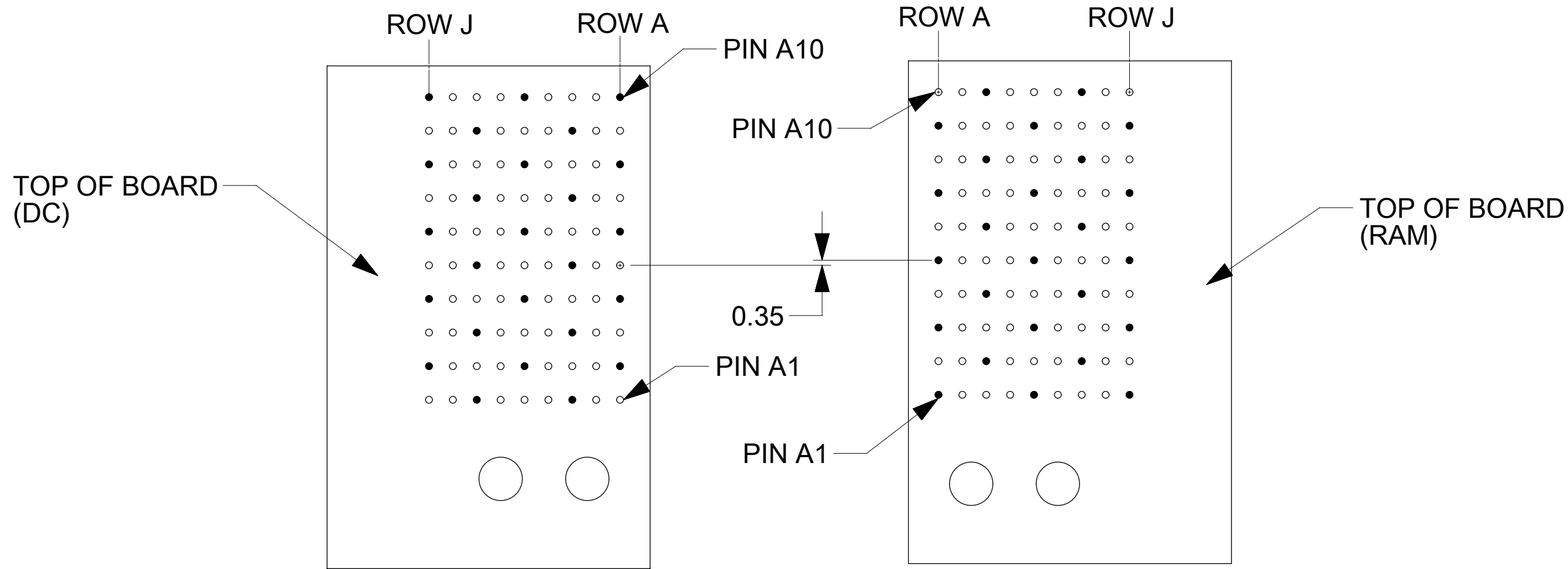
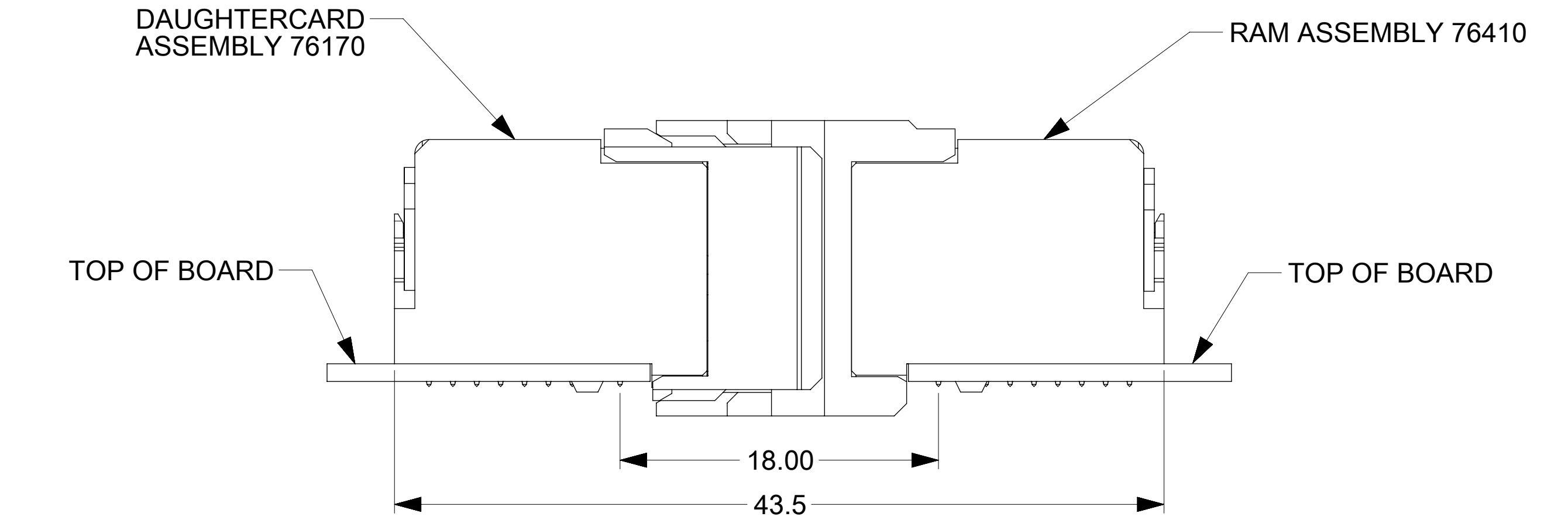
- NOTES:
- MATERIALS: HOUSING - LIQUID CRYSTAL POLYMER (LCP), GLASS-FILLED, UL94V-0
TERMINALS - HIGH PERFORMANCE COPPER ALLOY
 - FINISH: 30uIN SELECTIVE GOLD IN CONTACT AREA, SELECTIVE TIN ON PCB TAILS. NICKEL OVERALL.
 - REFER TO MOLEX PRODUCT SPECIFICATION PS-76060-999 FOR PERFORMANCE SPECIFICATIONS AND ADDITIONAL PCB INFORMATION.
 - EACH SIGNAL WAFER CONTAINS 2 COLUMNS OF TERMINALS.
 - PRODUCT IS PACKAGED PER PK-70873-762.
 - THIS PART CONFORMS TO CLASS B REQUIREMENTS OF COSMETIC SPEC PS-45499-002.
 - REFER TO MOLEX SALES DRAWING SD-76170-002 FOR THE MATING RECEPTACLES.
 - REFER TO MOLEX PCB ROUTING GUIDE AS-76060-990 FOR ANTIPAD AND ROUTING RECOMMENDATIONS.
 - MOLEX TO SUPPLY #2-23 SCREW 73726-0000.FOR BOARD THICKNESS AND OTHER SCREW INFORMATION REFER TO IMPACT BACKPLANE SYSTEM SCREW DESIGN GUIDE AS-76060-9999.
 - GUIDE RIGHT RAM MATES WITH A GUIDE LEFT DAUGHTERCARD.
 - OPEN END VERSION SHOWN FOR CLARITY.
 - MARKING: LOCATED APPROXIMATELY AS SHOWN. PART NUMBER AND DATE CODE.



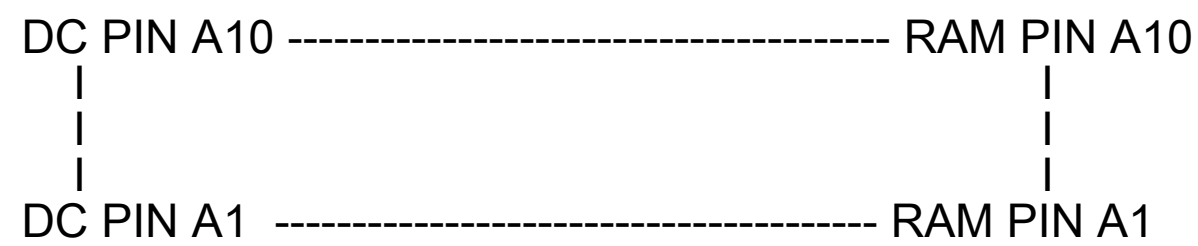
THIS DRAWING CONTAINS INFORMATION THAT IS PROPRIETARY TO MOLEX ELECTRONIC TECHNOLOGIES, LLC AND SHOULD NOT BE USED WITHOUT WRITTEN PERMISSION

DIMENSION UNITS	SCALE	CURRENT REV DESC:	molex		
mm	NTS	CHANGE SCREW P/N	IMPACT 3 PAIR RAM GUIDE RIGHT SIGNAL MODULE SALES DWG		
GENERAL TOLERANCES (UNLESS SPECIFIED)		EC NO: 623439	PRODUCT CUSTOMER DRAWING		
ANGULAR TOL	\pm 0.5°	DRWN: JSGOH01 2019/08/30	DOCUMENT NUMBER	DOC TYPE	DOC PART
4 PLACES	\pm	CHK'D: SHONG 2019/09/16	SD-76410-004	PSD	001
3 PLACES	\pm	APPR: SHONG 2019/09/16	REVISION		
2 PLACES	\pm 0.13	INITIAL REVISION:	F3		
1 PLACE	\pm 0.25	DRWN: JLAURX 2008/10/23	SHEET NUMBER		
0 PLACES	\pm	APPR: JLAURX 2008/10/27	1 OF 2		
DRAFT WHERE APPLICABLE MUST REMAIN WITHIN DIMENSIONS		THIRD ANGLE PROJECTION	MATERIAL NUMBER	CUSTOMER	SHEET NUMBER
		D-SIZE	SEE TABLE	GENERAL MARKET	1 OF 2
		SERIES	76410		

COPLANAR APPLICATION



COPLANAR MATED SIGNAL PATHS



THIS DRAWING CONTAINS INFORMATION THAT IS PROPRIETARY TO MOLEX ELECTRONIC TECHNOLOGIES, LLC AND SHOULD NOT BE USED WITHOUT WRITTEN PERMISSION									
DIMENSION UNITS		SCALE		CURRENT REV DESC: CHANGE SCREW P/N					
mm		NTS		molex IMPACT 3 PAIR RAM GUIDE RIGHT SIGNAL MODULE SALES DWG PRODUCT CUSTOMER DRAWING					
GENERAL TOLERANCES (UNLESS SPECIFIED)									
ANGULAR TOL		± 0.5°							
4 PLACES		±							
3 PLACES		±							
2 PLACES		± 0.13		EC NO: 623439		2019/08/30		2019/09/16	
1 PLACE		± 0.25		INITIAL REVISION:		2008/10/23		2008/10/27	
0 PLACES		±		DRWN: JLAURX		2008/10/23		2008/10/27	
DRAFT WHERE APPLICABLE MUST REMAIN WITHIN DIMENSIONS				THIRD ANGLE PROJECTION		DRAWING		SERIES	
						C-SIZE		76410	
DOCUMENT STATUS				P1		RELEASE DATE		2019/09/16 11:16:35	
DOCUMENT NUMBER		DOC TYPE		DOC PART		REVISION			
SD-76410-004		PSD		001		F3			
MATERIAL NUMBER				CUSTOMER		SHEET NUMBER			
SEE TABLE				GENERAL MARKET		2 OF 2			