

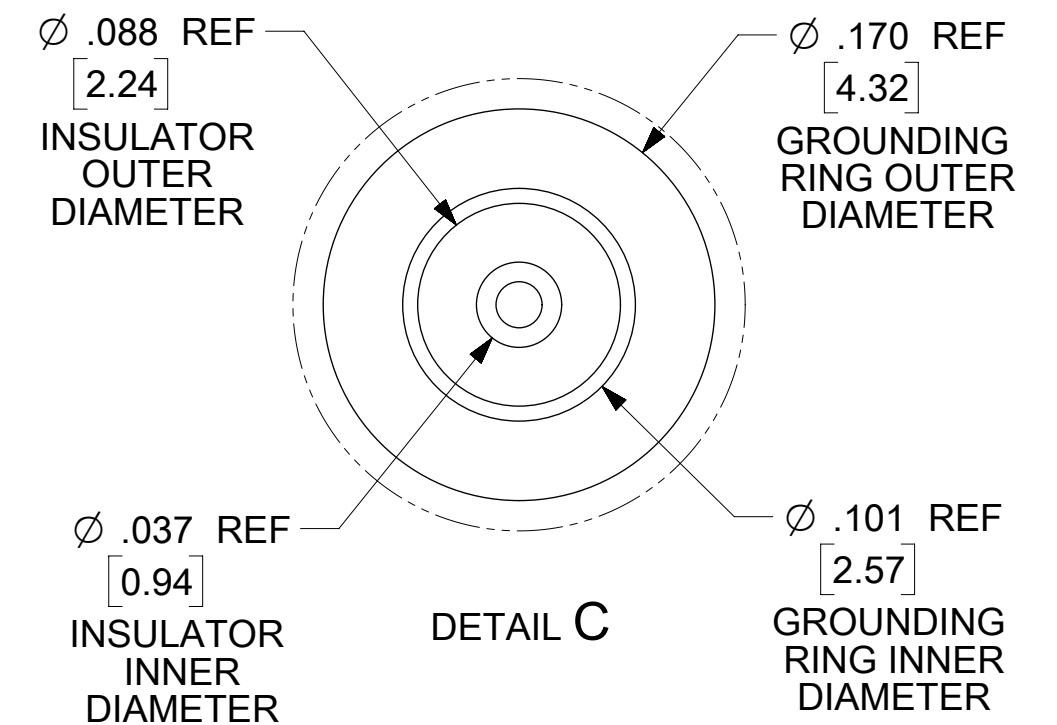
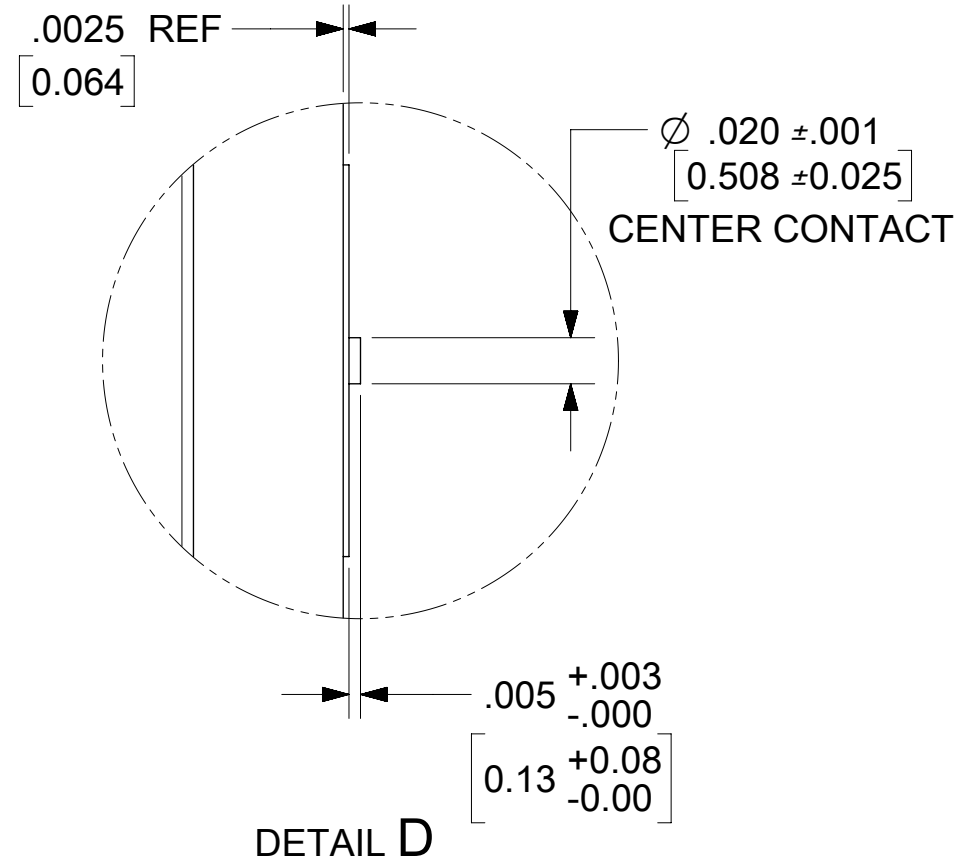
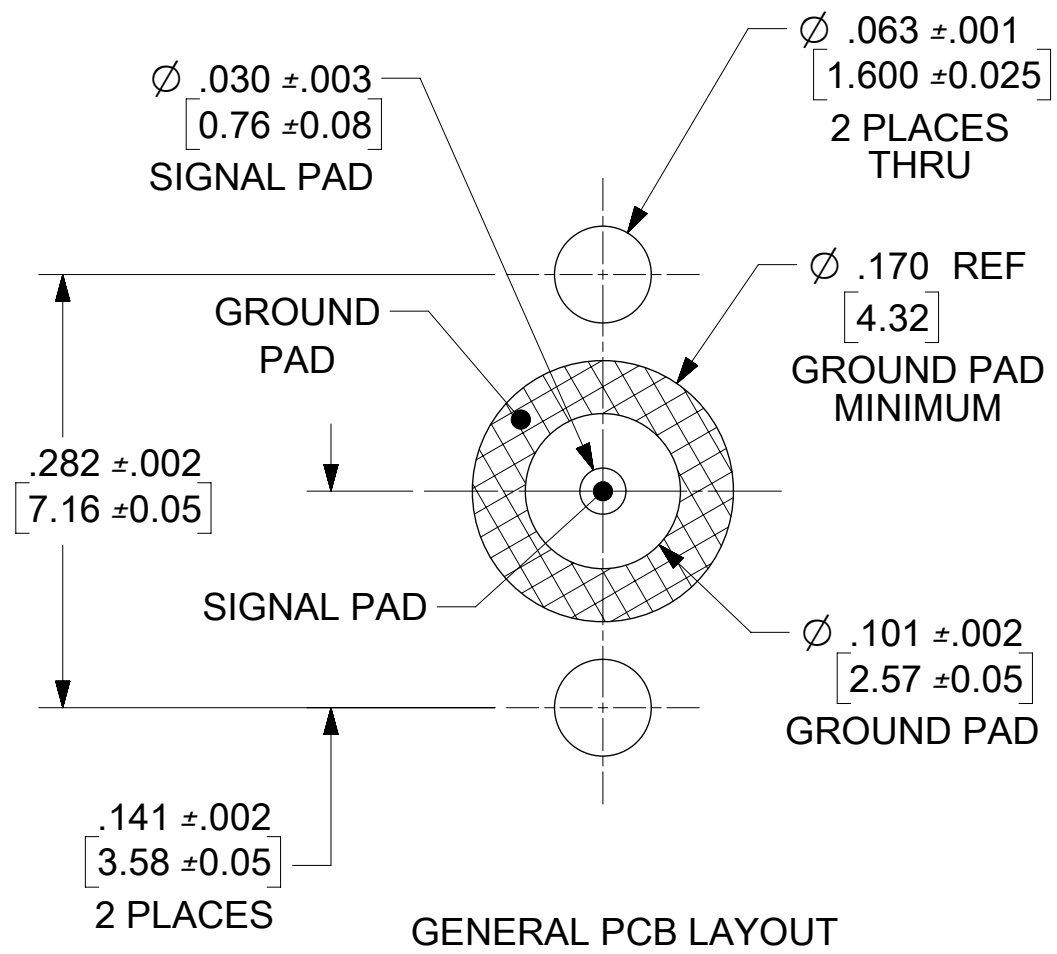
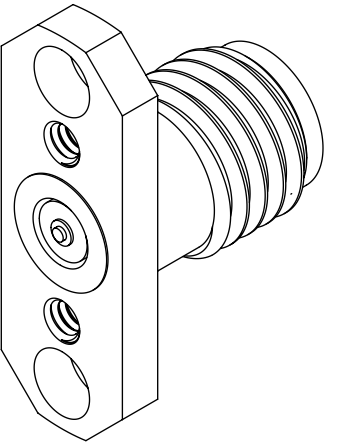
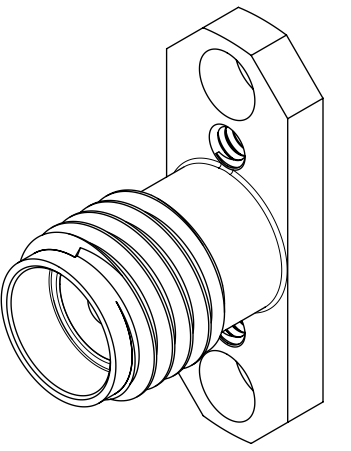
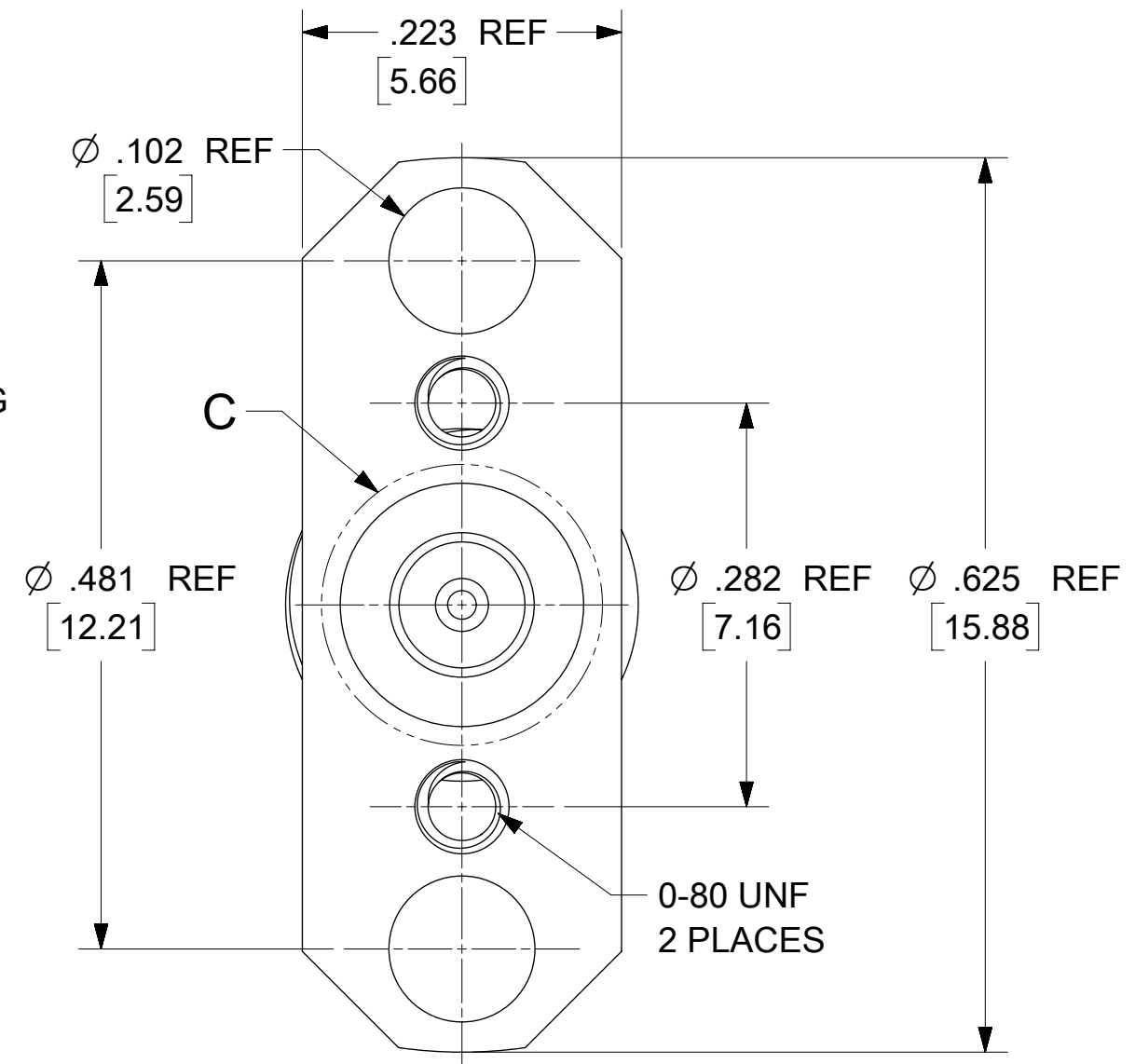
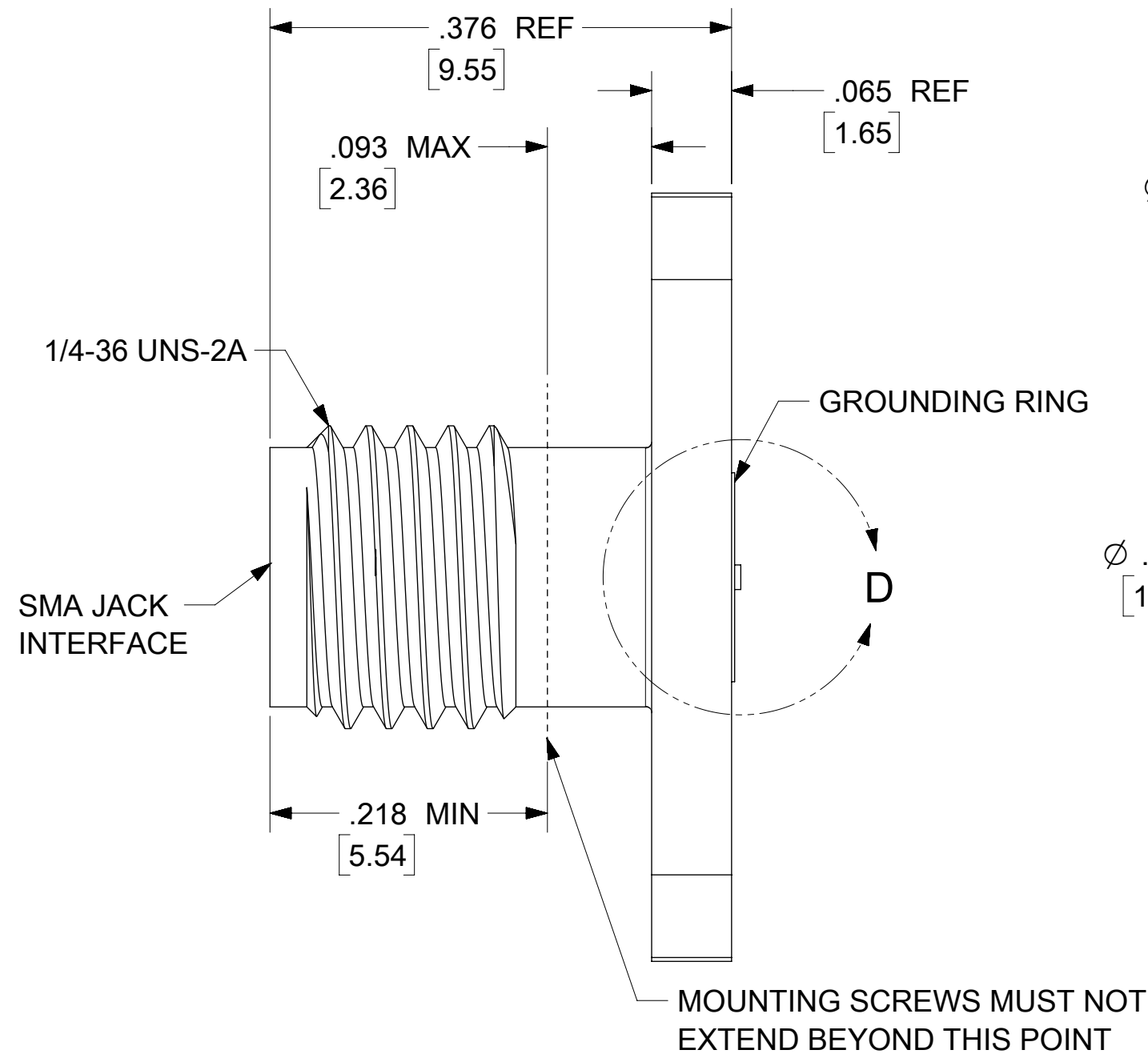
MATERIALS AND FINISHES:

**BODY: STAINLESS STEEL
PLATED: PASSIVATE**

**CENTER CONTACT: BERYLLIUM COPPER
PLATED: GOLD (50μ-in) MIN
OVER NICKEL (100μ -in) MIN**

INSULATOR: PTFE

**SCREW: STAINLESS STEEL
PLATED: PASSIVATE**



SEE SHEET 2 FOR PART NUMBERS

PS-89675-3460	ELECTO/MECH PERFOR
MIL-STD-348B, FIG 310-2	INTERFACE
SPECIFICATION	DESCRIPTION

THIS DRAWING CONTAINS INFORMATION THAT IS PROPRIETARY TO MOLEX ELECTRONIC TECHNOLOGIES, LLC AND SHOULD NOT BE USED WITHOUT WRITTEN PERMISSION

DIMENSION UNITS INCH	SCALE	CURRENT REV DESC: SEE ECM 117632	molex			
GENERAL TOLERANCES (UNLESS SPECIFIED)		EC NO: 174360				SMA JACK, 2H FLG WITH 0-80 THD, 50 OHM 27 GHZ SMA-JR/F, EWR-10959-A
4 PLACES ±	±	DRWN: PSWAMI02 2018/04/04	PRODUCT CUSTOMER DRAWING			
3 PLACES ±	±	CHK'D: PSWAMI02 2018/04/04	DOCUMENT NUMBER	DOC TYPE	DOC PART	REVISION
2 PLACES ±	±	APPR: AROBERTSON 2018/04/04	SD-73251-185	PSD	000	B21
1 PLACE ±	±	INITIAL REVISION:	MATERIAL NUMBER	CUSTOMER	SHEET NUMBER	
0 PLACES ±	±	DRWN: PSWAMI02 2017/06/01	SEE TABLE		1 OF 3	
ANGULAR TOL ± °		APPR: AROBERTSON 2017/06/01				
DRAFT WHERE APPLICABLE MUST REMAIN WITHIN DIMENSIONS	THIRD ANGLE PROJECTION	DRAWING C-SIZE	SERIES 73251			

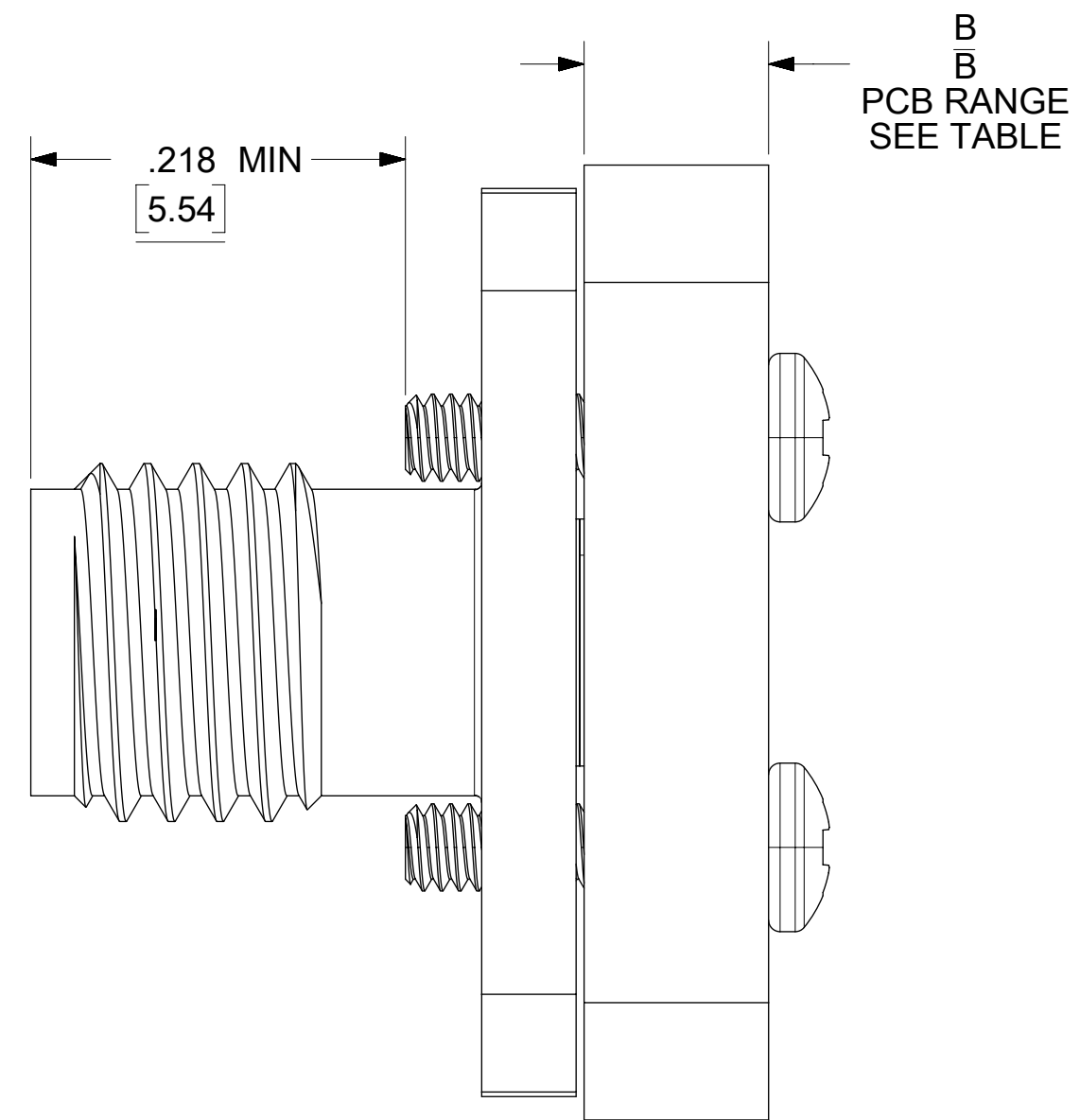
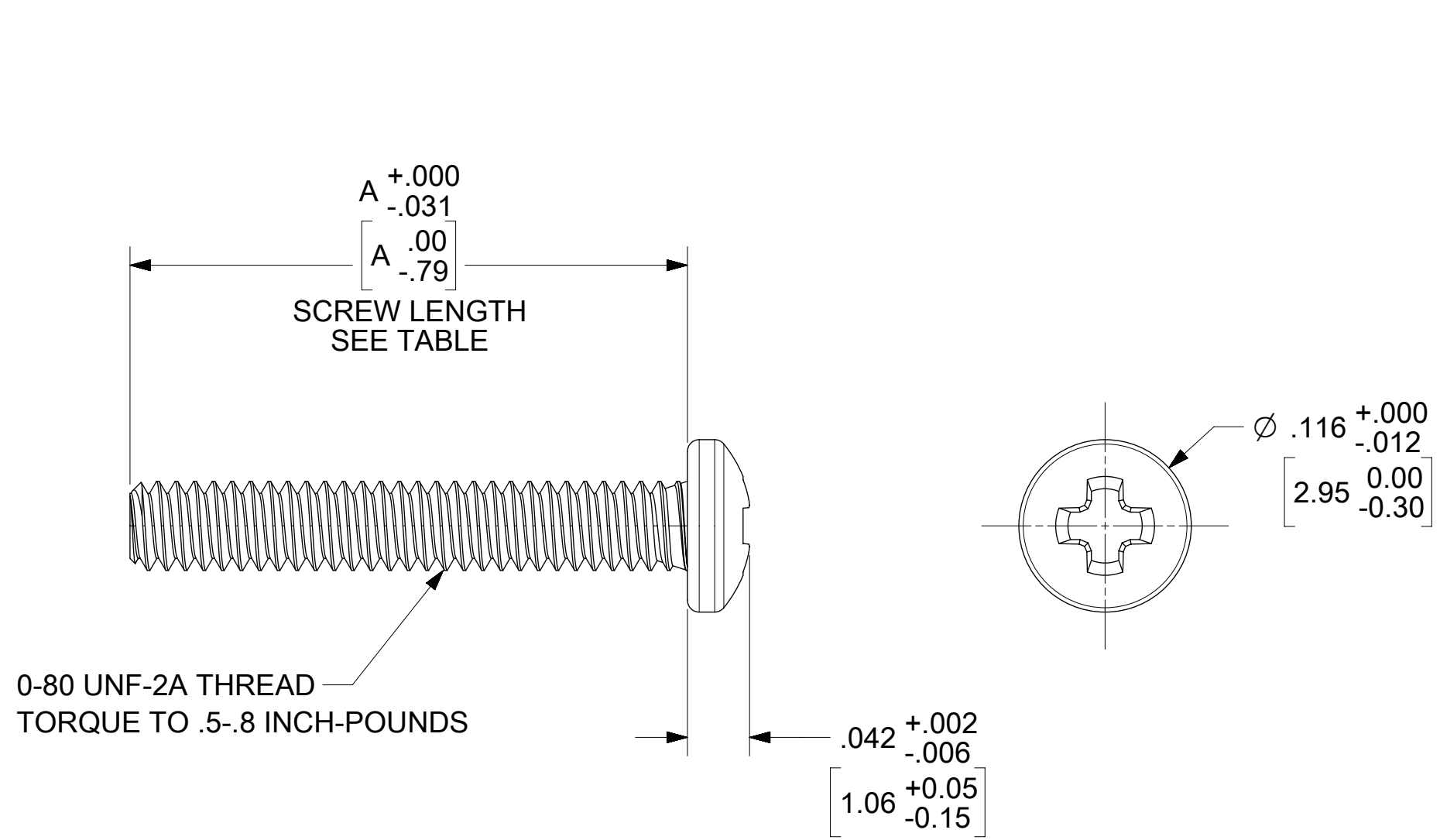
DOCUMENT STATUS	P1	RELEASE DATE	2018/04/04	13:36:29
-----------------	----	--------------	------------	----------

MATERIALS AND FINISHES

SEE SHEET 1

PCB LAYOUT

SEE SHEET 1



73251-1856	4.76 / .188	.062+0.04/-0.01	1.57+1.02/-0.25	2	SINGLE BAG	IN BAG
73251-1855	3.18 / .125	.050+0.00/-0.040	1.27+0.00/-1.02	2	TRAY	BULK
73251-1854	9.53 / .375	.255+0.040/-0.02	6.48+1.02/-0.51	2	TRAY	BULK
73251-1853	6.35 / .250	.130+0.040/-0.02	3.30+1.02/-0.51	2	TRAY	BULK
73251-1852	N/A	N/A	N/A	NO SCREW	SINGLE BAG	NONE
73251-1851	4.76 / .188	.062+0.040/-0.01	1.57+1.02/-0.25	2	TRAY	BULK
73251-1850	N/A	N/A	N/A	NO SCREW	TRAY	NONE
PART NO.	(MM/IN)	IN	MM	SCREWS (QTY)	PACKAGING	SCREW PACKAGING
	DIM A	DIM B				

THIS DRAWING CONTAINS INFORMATION THAT IS PROPRIETARY TO MOLEX ELECTRONIC TECHNOLOGIES, LLC AND SHOULD NOT BE USED WITHOUT WRITTEN PERMISSION

DIMENSION UNITS INCH	SCALE	CURRENT REV DESC: SEE ECM 117632	molex		
GENERAL TOLERANCES (UNLESS SPECIFIED)		EC NO: 174360			
	MM	INCH	DRWN: PSWAMI02	2018/04/04	PRODUCT CUSTOMER DRAWING
4 PLACES	±	±	CHK'D: PSWAMI02	2018/04/04	
3 PLACES	±	±	APPR: AROBERTSON	2018/04/04	DOC TYPE PSD
2 PLACES	±	±	INITIAL REVISION:		DOC PART 000
1 PLACE	±	±	DRWN: PSWAMI02	2017/06/01	REVISION B21
0 PLACES	±	±	APPR: AROBERTSON	2017/06/01	MATERIAL NUMBER SEE TABLE
ANGULAR TOL	±	°	THIRD ANGLE PROJECTION	DRAWING C-SIZE	CUSTOMER
DRAFT WHERE APPLICABLE MUST REMAIN WITHIN DIMENSIONS			SERIES 73251	SHEET NUMBER 2 OF 3	

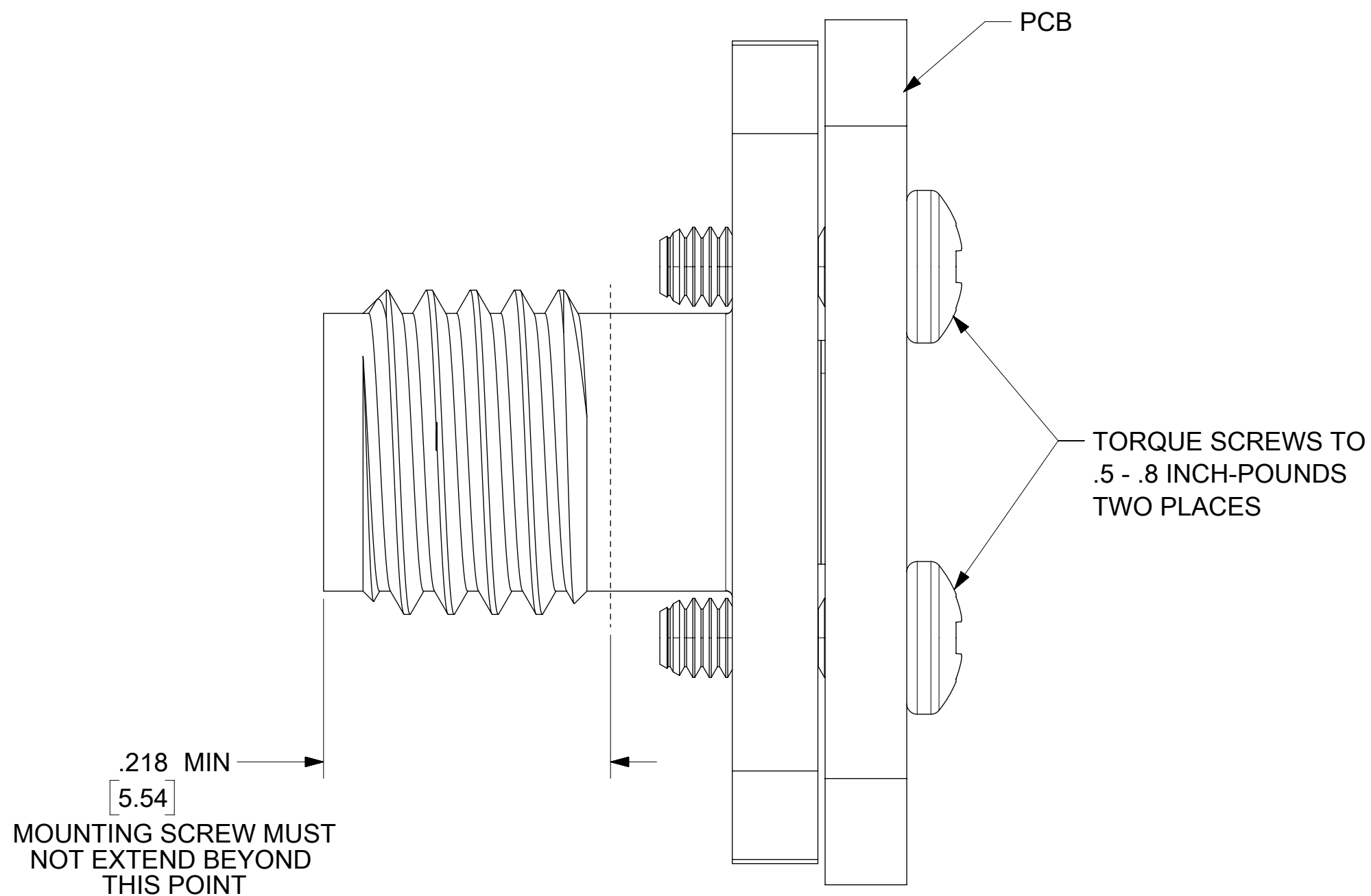
DOCUMENT STATUS	P1	RELEASE DATE	2018/04/04	13:36:29
-----------------	----	--------------	------------	----------

ADDITIONAL APPLICATION NOTES / ASSEMBLY INSTRUCTIONS

1. SEE SHEET ONE FOR SUGGESTED PCB LAYOUT. HEIGHT OF GROUND AND SIGNAL PADS MUST BE EVEN WITHIN $\pm .0015(.038)$.

2. SECURE CONNECTOR TO BOARD BY THREADING TWO 0-80 SCREWS FROM BOTTOM SIDE OF BOARD THROUGH CONNECTOR HOLES TO INDICATED TORQUE (SEE FIGURE).

DO NOT SOLDER CONNECTOR TO BOARD.



THIS DRAWING CONTAINS INFORMATION THAT IS PROPRIETARY TO MOLEX ELECTRONIC TECHNOLOGIES, LLC AND SHOULD NOT BE USED WITHOUT WRITTEN PERMISSION

DIMENSION UNITS INCH		SCALE		CURRENT REV DESC: SEE ECM 117632					
GENERAL TOLERANCES (UNLESS SPECIFIED)				EC NO: 174360					
	MM	INCH		DRWN: PSWAMI02	2018/04/04	DOCUMENT NUMBER			
4 PLACES	±	±		CHK'D: PSWAMI02	2018/04/04	SD-73251-185			
3 PLACES	±	±		APPR: AROBERTSON	2018/04/04	DOC TYPE	DOC PART	REVISION	
2 PLACES	±	±		INITIAL REVISION:			PSD	000	B21
1 PLACE	±	±		DRWN: PSWAMI02	2017/06/01	MATERIAL NUMBER			
0 PLACES	±	±		APPR: AROBERTSON	2017/06/01	SEE TABLE			
ANGULAR TOL ± °				THIRD ANGLE PROJECTION		DRAWING	SERIES	CUSTOMER	SHEET NUMBER
DRAFT WHERE APPLICABLE MUST REMAIN WITHIN DIMENSIONS						C-SIZE	73251		3 OF 3

DOCUMENT STATUS	P1	RELEASE DATE	2018/04/04	13:36:29
-----------------	----	--------------	------------	----------