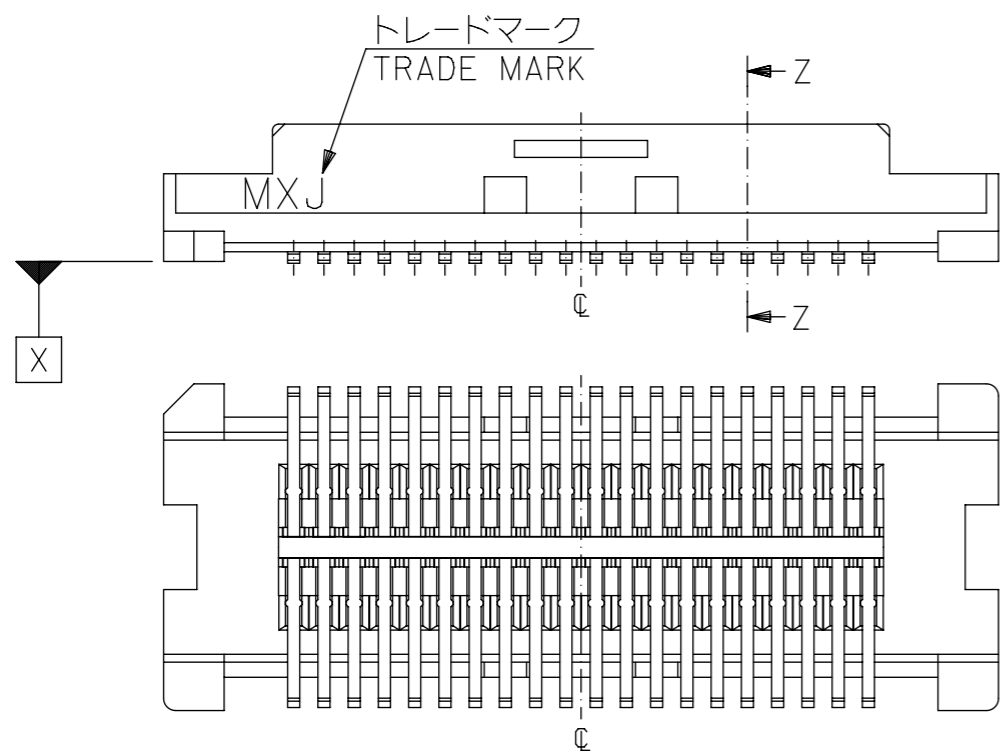
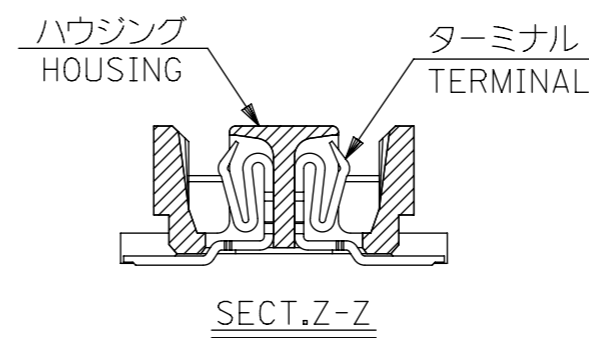
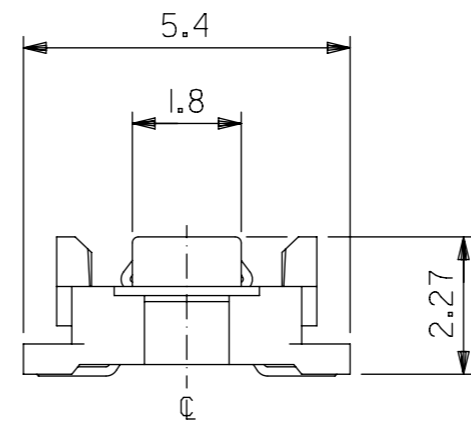


参考基板レイアウト (マウント面)
P.C.BOARD PATTERN
DIMENSION. (REF.)
(MOUNTING AREA)



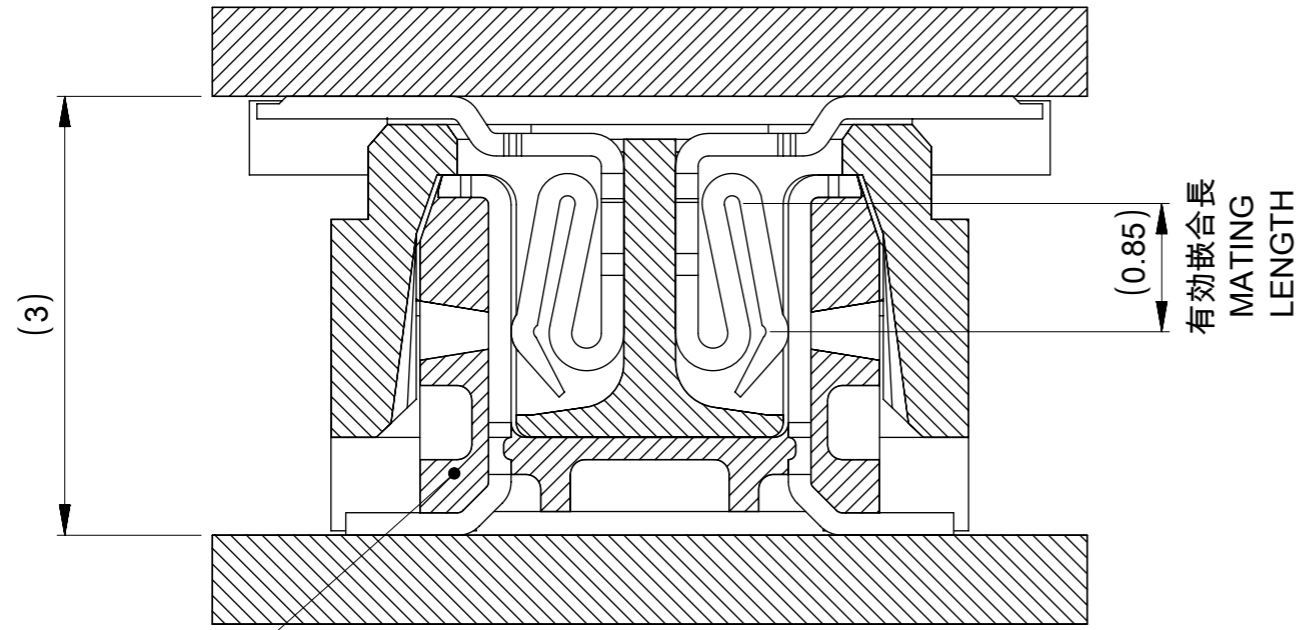
注記 NOTES:

1. 使用材料 MATERIAL
ハウジング : LCPガラス入り (黒), UL94V-0
HOUSING : LCP(G.F.)(COLOR:BLACK), UL94V-0
ターミナル : リン青銅 (t=0.15)
TERMINAL : PHOSPHOR BRONZE (t=0.15)
2. メッキ仕様 PLATING
全体仕上げ : 金メッキ 0.1 MICROMETER MIN.
ALL OVER :GOLD 0.1 MICROMETER MIN.
下地メッキ : ニッケルメッキ 1.5 MICROMETER MIN.
UNDER PLATING : NICKEL 1.5 MICROMETER MIN.
3. 基準面 X からのソルダータールの半田付け面のズレ量は、上方向 0 下方向 0.15MAX. とする。
MISALIGNMENT OF SOLDER TAIL FROM X
: UPPER DIRECTION 0. LOWER DIRECTION 0.15 MAX.
△ (全極数/2) = 偶数の場合に適用。
APPLY FOR (CIRCUIT/2)=EVEN.

5. 嵌合相手 : 53748シリーズ (嵌合高さ = 3mm)、53916シリーズ (嵌合高さ = 4mm)、501920シリーズ (嵌合高さ = 4mm)
MATE WITH: 53748 SERIES (HEIGHT = 3mm), 53916 SERIES (HEIGHT = 4mm), AND 501920 SERIES (HEIGHT = 4mm)
6. テール平坦度は、0.1MAX.
TAIL COPLANARITY TO BE 0.1MAX.

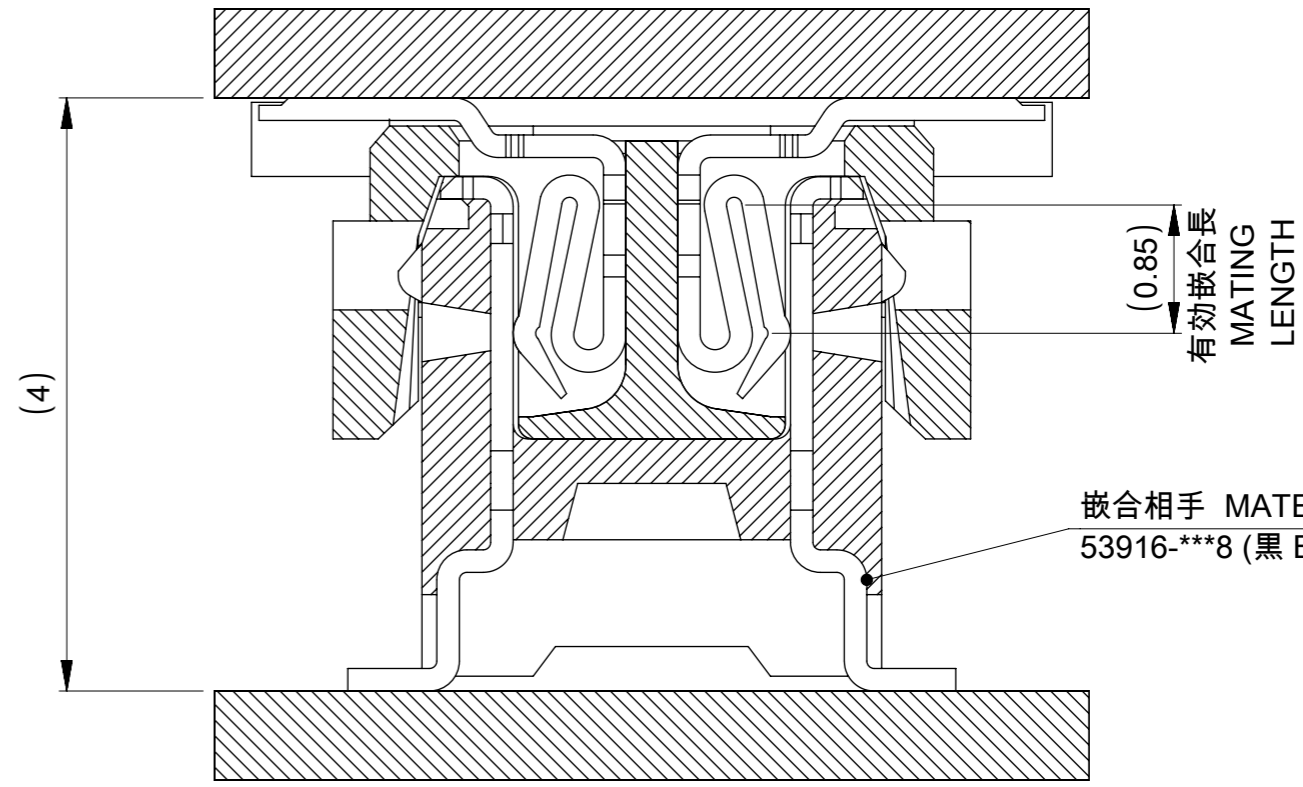
12.7	12.0	16.3	54167-0508	50
10.2	9.5	13.8	54167-0408	40
7.7	7.0	11.3	54167-0308	30
5.2	4.5	8.8	54167-0208	20
C	B	A	EMBOSSED TAPE	極数
			ORDER No.	CIRCUIT
CONNECTOR SERIES No.			54167-***1	

THIS DRAWING CONTAINS INFORMATION THAT IS PROPRIETARY TO MOLEX ELECTRONIC TECHNOLOGIES, LLC AND SHOULD NOT BE USED WITHOUT WRITTEN PERMISSION		CURRENT REV DESC: REVISED		molex	
DIMENSION UNITS	SCALE	EC NO: 642297			
mm	8:1	DRWN: SUDAYGUNAGI 2020/08/20		0.5 MM PITCH B-TO-B CONN. HEIGHT = 3 & 4 RECEPTACLE	
GENERAL TOLERANCES (UNLESS SPECIFIED)		CHK'D: HSHIMUYAMA 2020/11/30			
ANGULAR TOL ± 30°		APPR: SHOSHIKAWA 2020/11/30		PRODUCT CUSTOMER DRAWING	
4 PLACES ± 0.2		INITIAL REVISION:		DOCUMENT NUMBER	
3 PLACES ± 0.25		DRWN: NAIDA 2005/08/31		SD-54167-001	
2 PLACES ± 0.3		APPR: NUKITA 2005/09/09		DOC TYPE DOC PART REVISION	
1 PLACE ±		THIRD ANGLE PROJECTION		PSD 001 F	
0 PLACES ±		DRAWING		SERIES	
DRAFT WHERE APPLICABLE MUST REMAIN WITHIN DIMENSIONS		A3-SIZE		MATERIAL NUMBER	
		54167		CUSTOMER	
				GENERAL	
				SHEET NUMBER	
				1 OF 2	



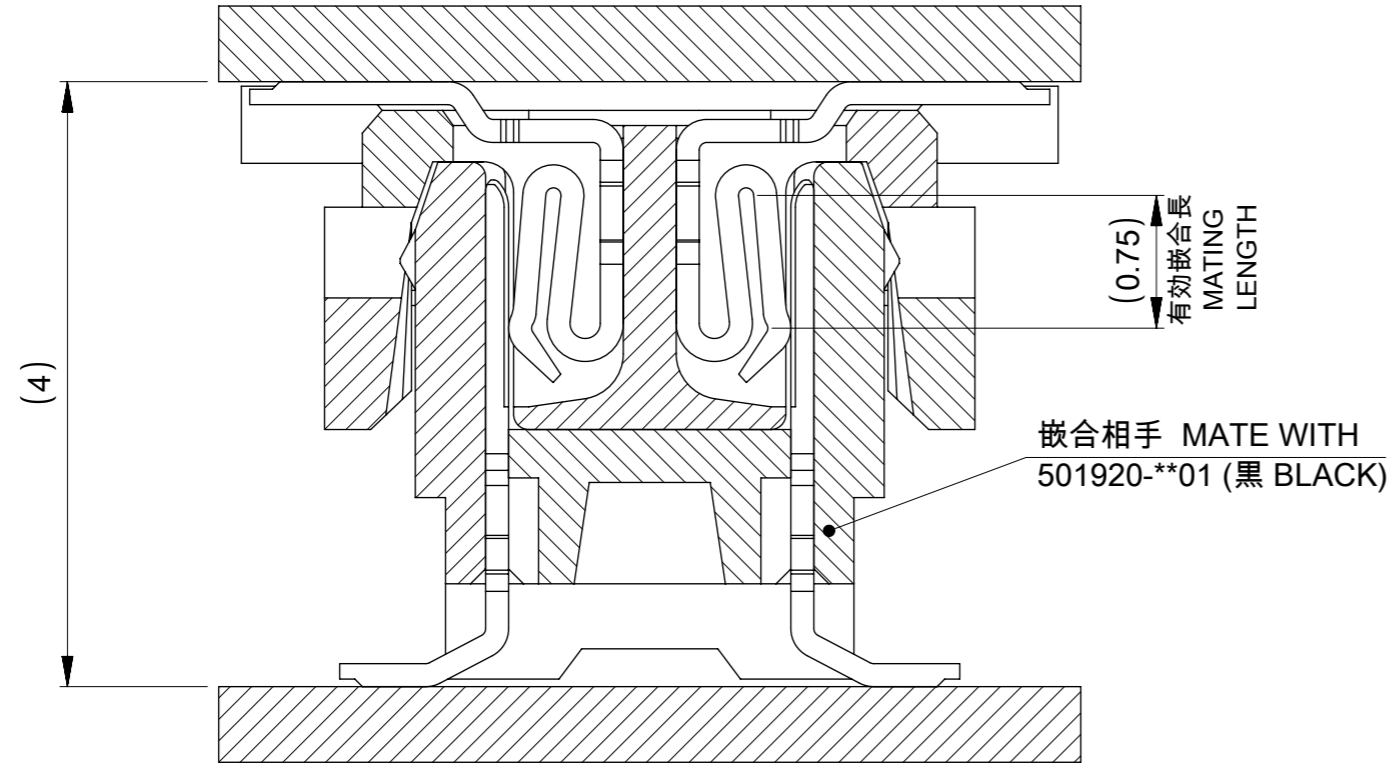
嵌合相手 MATE WITH
53748-***8 (白 WHITE)
53748-***4 (白 WHITE)

嵌合断面図 (参考)
MATED DRAWING (REF.)



嵌合相手 MATE WITH
53916-***8 (黒 BLACK)

嵌合断面図 (参考)
MATED DRAWING (REF.)

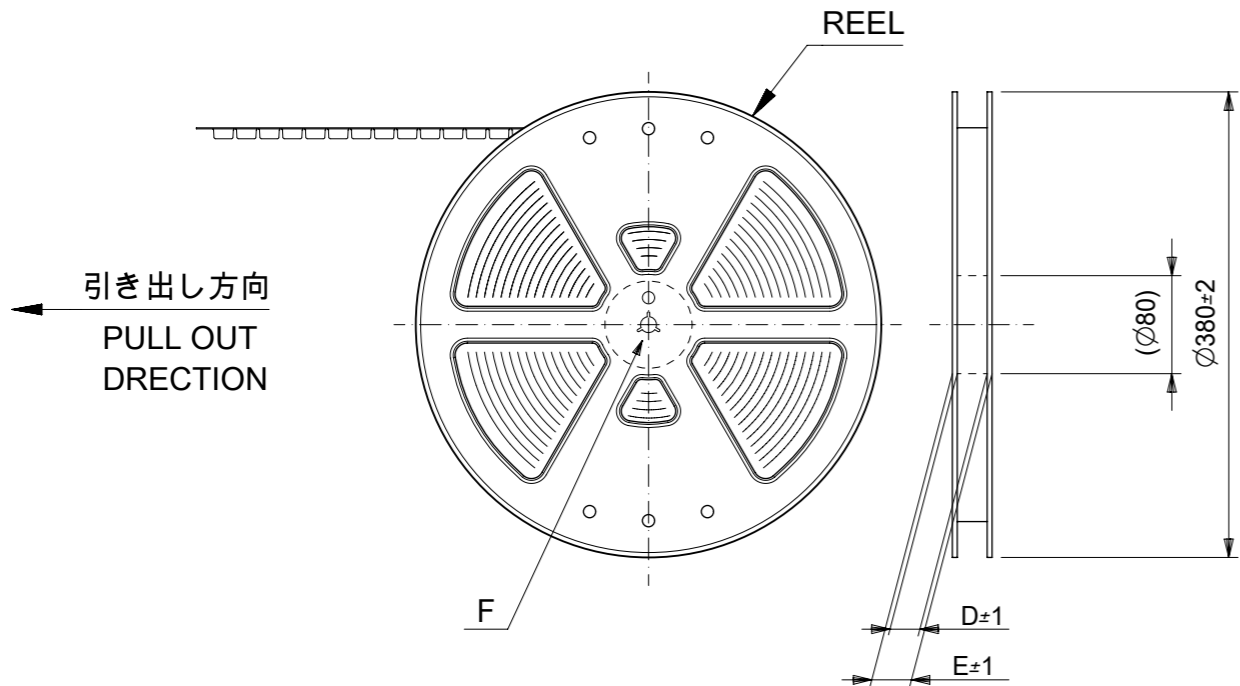


嵌合相手 MATE WITH
501920-**01 (黒 BLACK)

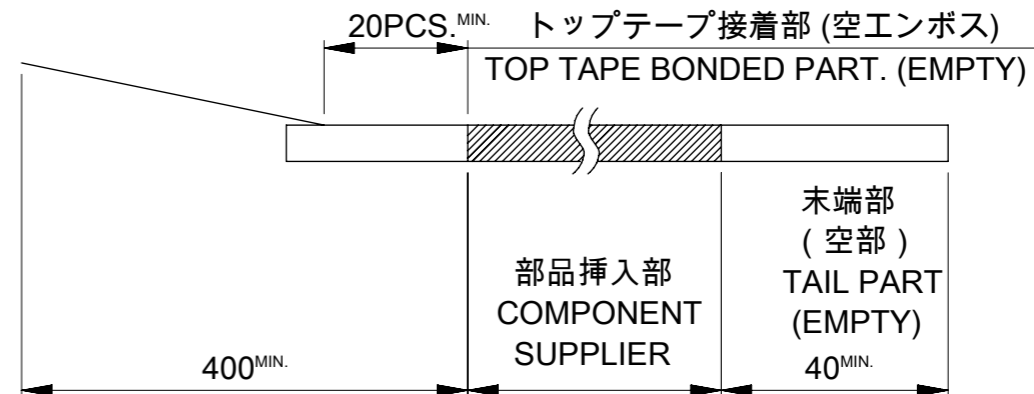
嵌合断面図 (参考)
MATED DRAWING (REF.)

THIS DRAWING CONTAINS INFORMATION THAT IS PROPRIETARY TO MOLEX ELECTRONIC TECHNOLOGIES, LLC AND SHOULD NOT BE USED WITHOUT WRITTEN PERMISSION

DIMENSION UNITS		SCALE		CURRENT REV DESC: REVISED			
mm		20:1					
GENERAL TOLERANCES (UNLESS SPECIFIED)				ANGULAR TOL ± 30°			
10 ^{UNDER}		±0.2		4 PLACES		± 0.2	
10 ^{OVER} 30 ^{UNDER}		±0.25		3 PLACES		± 0.25	
30 ^{OVER}		±0.3		2 PLACES		± 0.3	
				1 PLACE		±	
				0 PLACES		±	
DRAFT WHERE APPLICABLE MUST REMAIN WITHIN DIMENSIONS				DRAFT WHERE APPLICABLE MUST REMAIN WITHIN DIMENSIONS			
THIRD ANGLE PROJECTION		DRAWING		SERIES		MATERIAL NUMBER	
		A3-SIZE		54167		SEE SHEET 1	
EC NO: 642297				2020/08/20			
DRWN: SUDAYGUNAGI				2020/11/30			
CHK'D: HSHIMUYAMA				2020/11/30			
APPR: SHOSHIKAWA				2020/11/30			
INITIAL REVISION:							
DRWN: NAIDA				2005/08/31			
APPR: NUKITA				2005/09/09			
DOCUMENT NUMBER		DOC TYPE		DOC PART		REVISION	
SD-54167-001		PSD		001		F	
CUSTOMER		SHEET NUMBER					
GENERAL		2 OF 2					



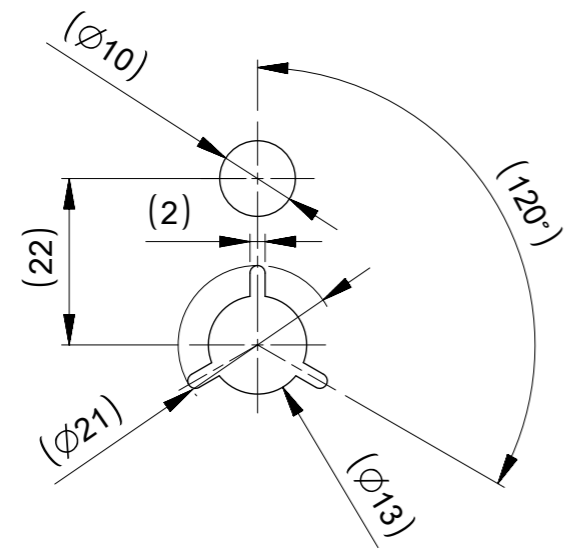
引き出し方向
PULL OUT
DIRECTION



NOTES

- 製品詳細寸法については図面 SD-54167-001を参照下さい。
DETAIL DIMENSION, SEE SD-54167-001
- 梱包数量 : 3000個 / リール
NUMBER OF CONNECTORS : 3000PCS/REEL
- リードテープ長さ LEAD TAPE LENGTH

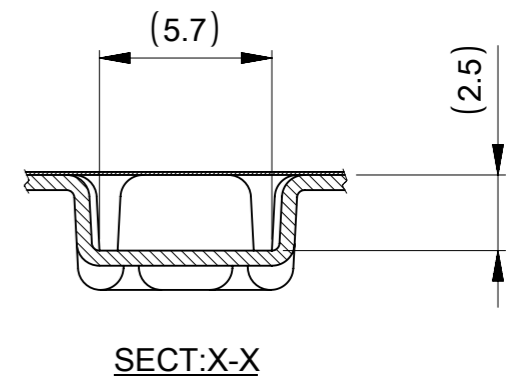
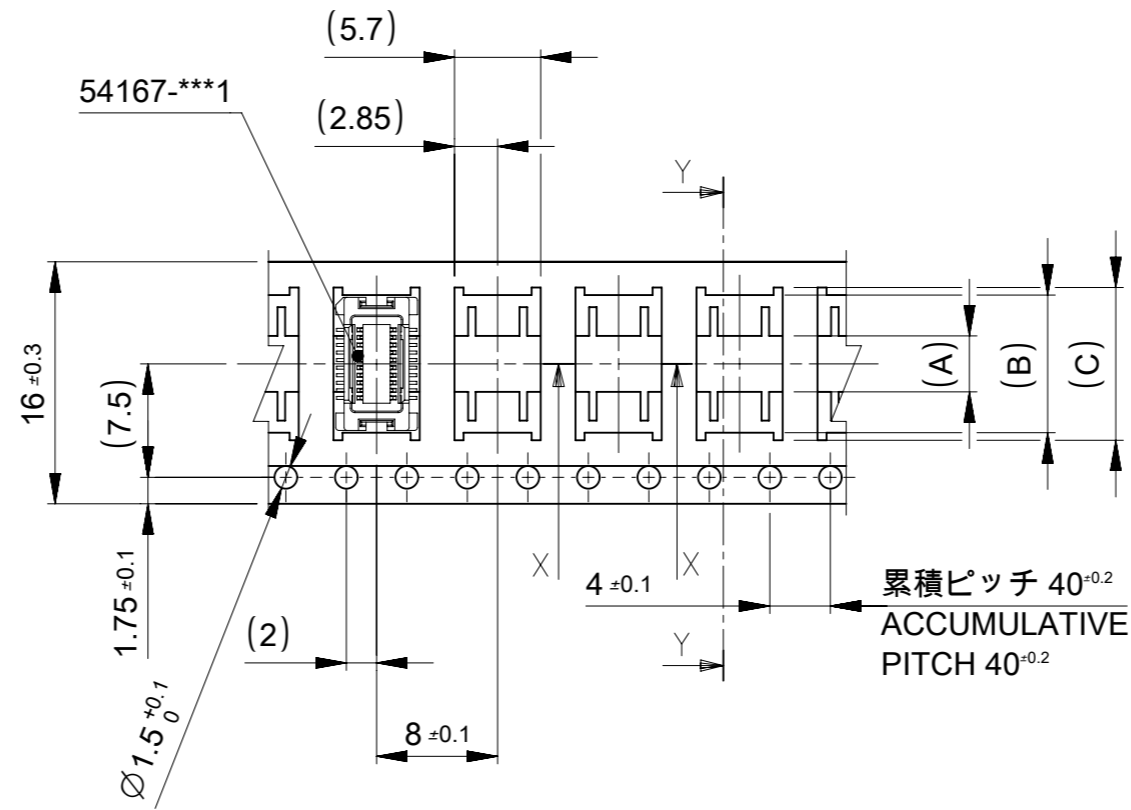
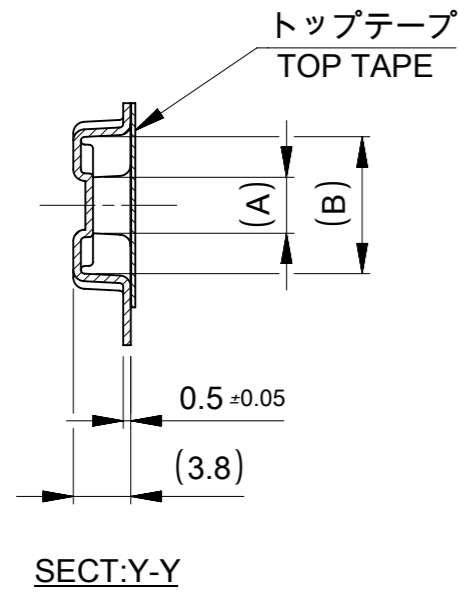
- カバーテープの剥離強度については、IEC60286-3に準拠
COVER TAPE PEEL FORCE IS DEFINED BY IEC60286-3.
- 材料 (MATERIAL)
キャリアテープ (CARRIER TAPE) : ポリプロピレン (POLYPROPYLENE)
トップテープ (TOPTAPE) : PET , PE , PEF
リール(REEL) : ポリスチレン (PS) <リサイクル材を含む>
POLYSTYREN(PS) <RECYCLE MATERIAL CONTAINED>



DETAIL "F"

THIS DRAWING CONTAINS INFORMATION THAT IS PROPRIETARY TO MOLEX ELECTRONIC TECHNOLOGIES, LLC AND SHOULD NOT BE USED WITHOUT WRITTEN PERMISSION		CURRENT REV DESC: REVISED		molex	
DIMENSION UNITS	SCALE	EC NO: 649457			
mm	NTS	DRWN: SUDAYGUNAGI 2020/08/21		PRODUCT CUSTOMER DRAWING	
GENERAL TOLERANCES (UNLESS SPECIFIED)		CHK'D: HSHIMUYAMA 2020/12/02		DOCUMENT NUMBER	
ANGULAR TOL ± 3.0°		APPR: SHOSHIKAWA 2020/12/02		SD-54167-002	
4 PLACES ±		INITIAL REVISION:		DOC TYPE DOC PART REVISION	
3 PLACES ±		DRWN: NAIDA 2005/08/31		PSD 001 G	
2 PLACES ±		APPR: NUKITA 2005/09/09		SERIES	
1 PLACE ±		MATERIAL NUMBER		CUSTOMER	
0 PLACES ±		SEE SHEET 2-4		GENERAL	
DRAFT WHERE APPLICABLE MUST REMAIN WITHIN DIMENSIONS		THIRD ANGLE PROJECTION		SHEET NUMBER	
DRAFT WHERE APPLICABLE MUST REMAIN WITHIN DIMENSIONS		DRAWING		1 OF 4	
		A3-SIZE			
		54167			

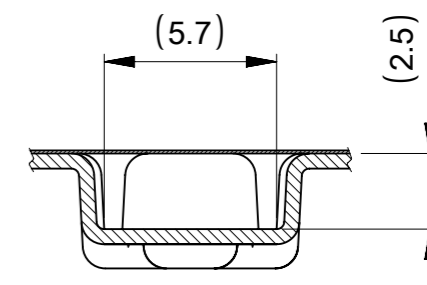
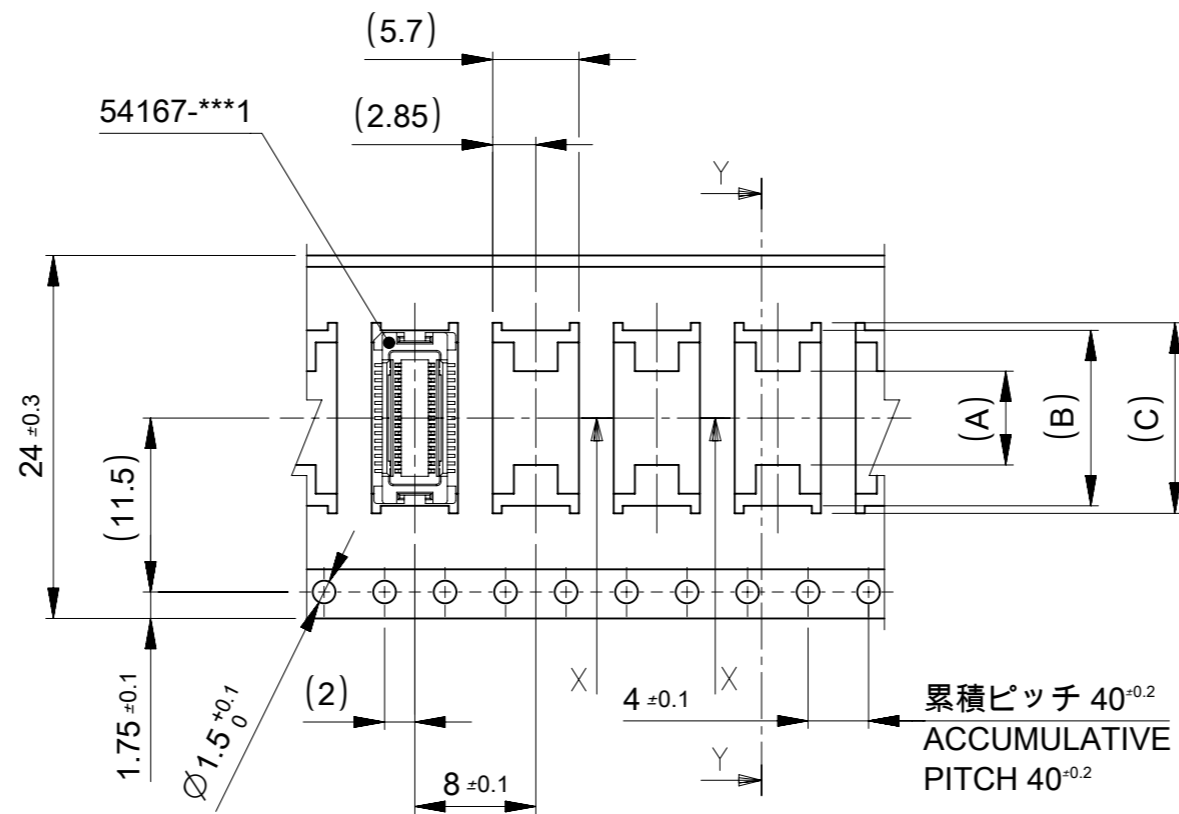
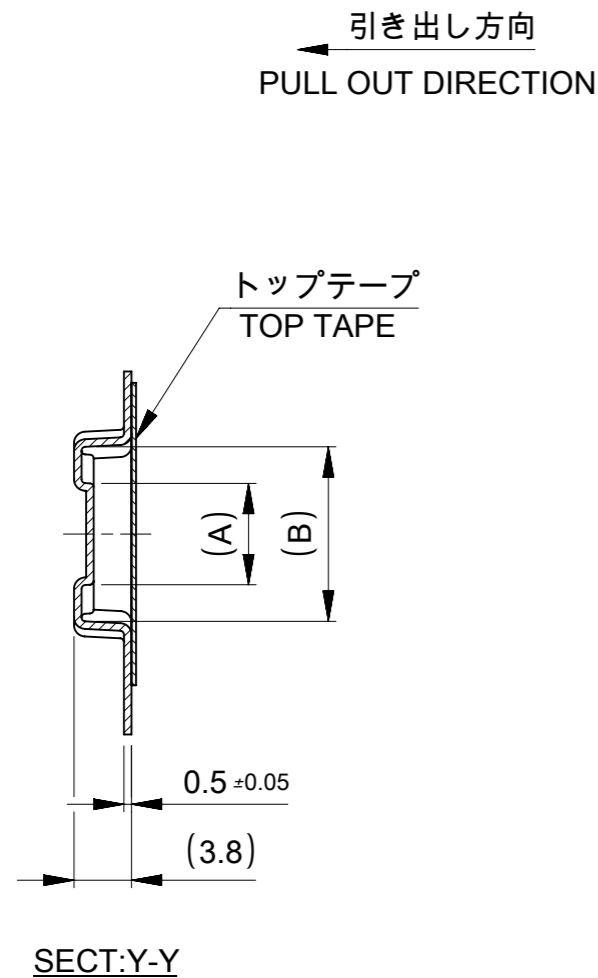
引き出し方向
PULL OUT DIRECTION



16mm 幅キャリアテープ
16mm WIDTH CARRIER TAPE

16	21.4	17.4	10.1	9.1	3.7	54167-0208	20
キャリアテープ幅 CARRIER TAPE WIDTH	E	D	(C)	(B)	(A)	MATERIAL NO.	極数 CKT.

THIS DRAWING CONTAINS INFORMATION THAT IS PROPRIETARY TO MOLEX ELECTRONIC TECHNOLOGIES, LLC AND SHOULD NOT BE USED WITHOUT WRITTEN PERMISSION		CURRENT REV DESC: REVISED		molex			
DIMENSION UNITS mm	SCALE NTS	GENERAL TOLERANCES (UNLESS SPECIFIED)					
GENERAL TOLERANCES (UNLESS SPECIFIED)		ANGULAR TOL ± 3.0°		PRODUCT CUSTOMER DRAWING			
10 ^{UNDER}	±0.2	4 PLACES	±	EC NO: 649457 DRWN: SUDAYGUNAGI CHK'D: HSHIMOYAMA APPR: SHOSHIKAWA		2020/08/21 2020/12/02 2020/12/02	
10 ^{OVER} 30 ^{UNDER}	±0.25	3 PLACES	±	INITIAL REVISION:		DOCUMENT NUMBER	
30 ^{OVER}	±0.3	2 PLACES	±	DRWN: NAIDA APPR: NUKITA		SD-54167-002	
ANGULAR+3°	±	1 PLACE	±	2005/08/31 2005/09/09		DOC TYPE PSD	DOC PART 001
DRAFT WHERE APPLICABLE MUST REMAIN WITHIN DIMENSIONS	DRAFT WHERE APPLICABLE MUST REMAIN WITHIN DIMENSIONS	THIRD ANGLE PROJECTION	DRAWING A3-SIZE	SERIES 54167	MATERIAL NUMBER SEE TABLE	CUSTOMER GENERAL	REVISION G
SHEET NUMBER 2 OF 4							



24mm 幅キャリアテープ
24mm WIDTH CARRIER TAPE

24	29.4	25.4	15.1	14.1	7.4	54167-0408	40
			12.6	11.6	4.9	54167-0308	30
キャリアテープ幅 CARRIER TAPE WIDTH	E	D	(C)	(B)	(A)	MATERIAL NO.	極数 CKT.

THIS DRAWING CONTAINS INFORMATION THAT IS PROPRIETARY TO MOLEX ELECTRONIC TECHNOLOGIES, LLC AND SHOULD NOT BE USED WITHOUT WRITTEN PERMISSION

mm NTS SCALE

GENERAL TOLERANCES (UNLESS SPECIFIED)

10 ^{UNDER}	±0.2
10 ^{OVER} 30 ^{UNDER}	±0.25
30 ^{OVER}	±0.3
ANGULAR ±3°	±

ANGULAR TOL ± 3.0°

4 PLACES ±

3 PLACES ±

2 PLACES ±

1 PLACE ±

0 PLACES ±

DRAFT WHERE APPLICABLE MUST REMAIN WITHIN DIMENSIONS

THIRD ANGLE PROJECTION

DRAWING A3-SIZE

SERIES 54167

MATERIAL NUMBER SEE TABLE

CUSTOMER GENERAL

SHEET NUMBER 3 OF 4

EC NO: 649457
DRWN: SUDAYGUNAGI 2020/08/21
CHK'D: HSHIMUYAMA 2020/12/02
APPR: SHOSHIKAWA 2020/12/02

INITIAL REVISION:
DRWN: NAIDA 2005/08/31
APPR: NUKITA 2005/09/09

DOCUMENT NUMBER SD-54167-002

DOC TYPE PSD

DOC PART 001

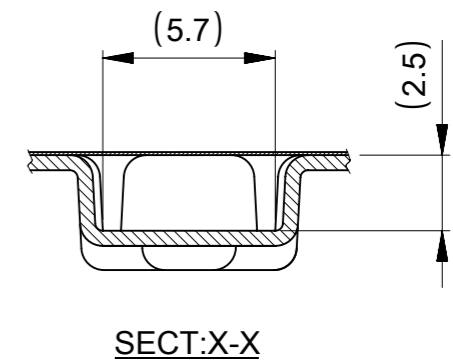
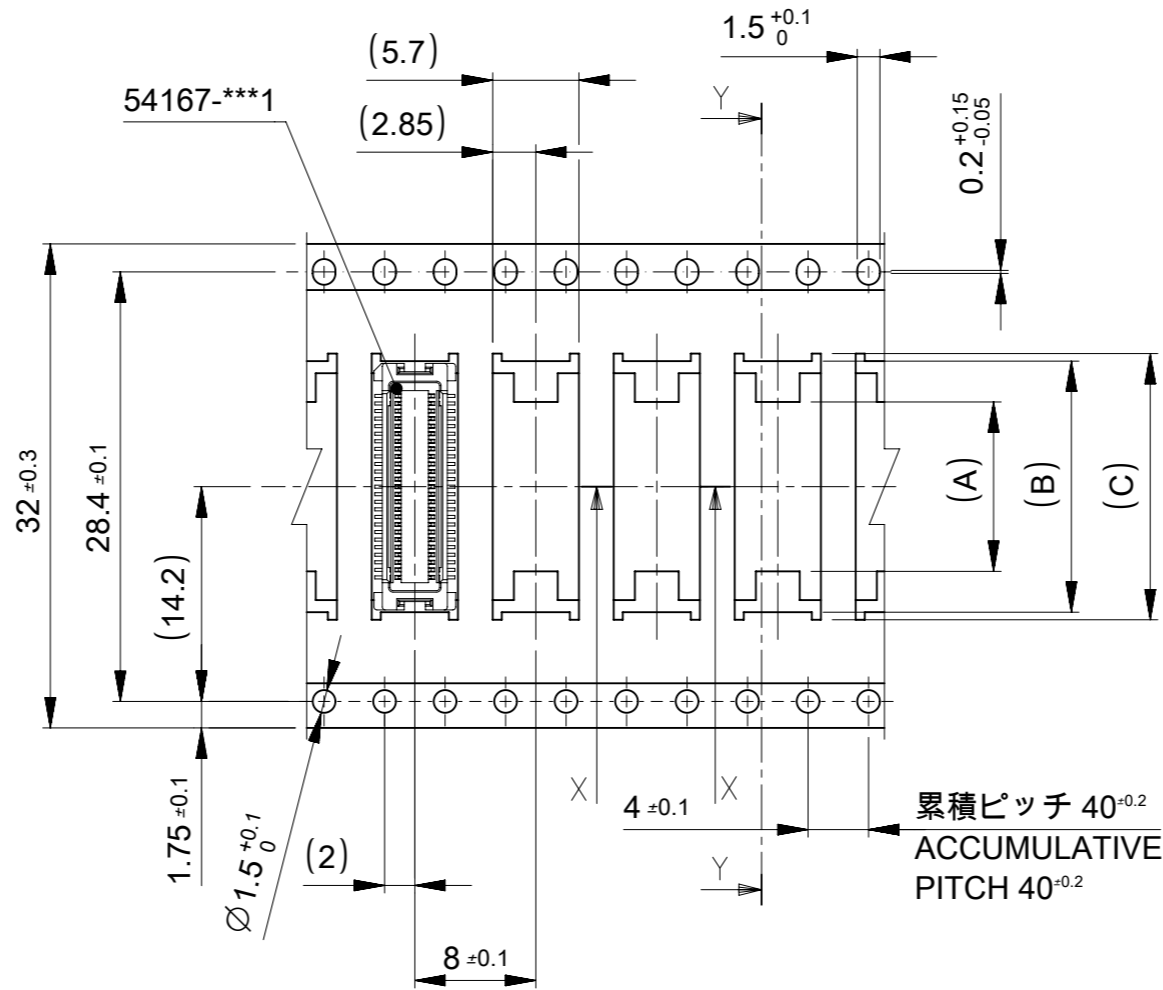
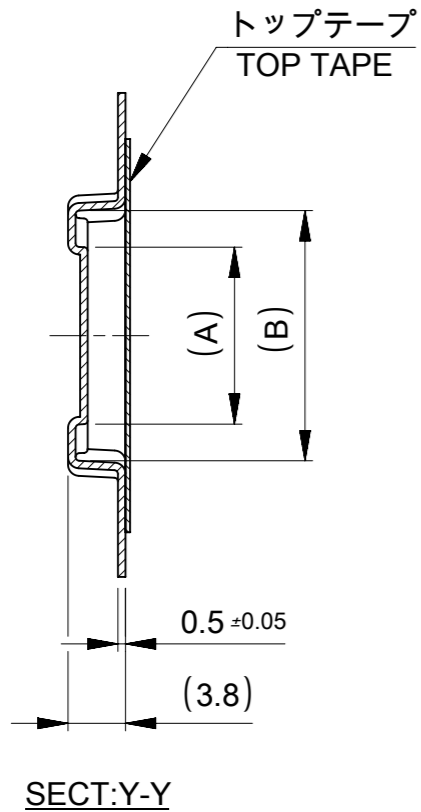
REVISION G

molex

0.5 MM PITCH B-TO-B CONN.
HEIGHT = 3 & 4 RECEPTACLE EMBOSS TAPE PACKAGE

PRODUCT CUSTOMER DRAWING

引き出し方向
PULL OUT DIRECTION



32mm 幅キャリアテープ
32mm WIDTH CARRIER TAPE

32	37.4	33.4	17.6	16.6	11.2	54167-0508	50
キャリアテープ幅 CARRIER TAPE WIDTH	E	D	(C)	(B)	(A)	MATERIAL NO.	極数 CKT.

THIS DRAWING CONTAINS INFORMATION THAT IS PROPRIETARY TO MOLEX ELECTRONIC TECHNOLOGIES, LLC AND SHOULD NOT BE USED WITHOUT WRITTEN PERMISSION

DIMENSION UNITS mm	SCALE NTS	CURRENT REV DESC: REVISED		molex				
GENERAL TOLERANCES (UNLESS SPECIFIED)		EC NO: 649457 DRWN: SUDAYGUNAGI CHK'D: HSHIMOYAMA APPR: SHOSHIKAWA						0.5 MM PITCH B-TO-B CONN. HEIGHT = 3 & 4 RECEPTACLE EMBOSS TAPE PACKAGE
GENERAL TOLERANCES (UNLESS SPECIFIED)		INITIAL REVISION:		PRODUCT CUSTOMER DRAWING				
10 ^{UNDER}	±0.2	DRWN: NAIDA APPR: NUKITA		DOCUMENT NUMBER		DOC TYPE	DOC PART	REVISION
10 ^{OVER} 30 ^{UNDER}	±0.25	2020/08/21 2020/12/02		SD-54167-002		PSD	001	G
30 ^{OVER}	±0.3	2005/08/31 2005/09/09		SERIES		CUSTOMER		SHEET NUMBER
ANGULAR ±3°	±	THIRD ANGLE PROJECTION		54167		GENERAL		4 OF 4
DRAFT WHERE APPLICABLE MUST REMAIN WITHIN DIMENSIONS	DRAFT WHERE APPLICABLE MUST REMAIN WITHIN DIMENSIONS	DRAWING A3-SIZE		MATERIAL NUMBER SEE TABLE		CUSTOMER GENERAL		SHEET NUMBER 4 OF 4