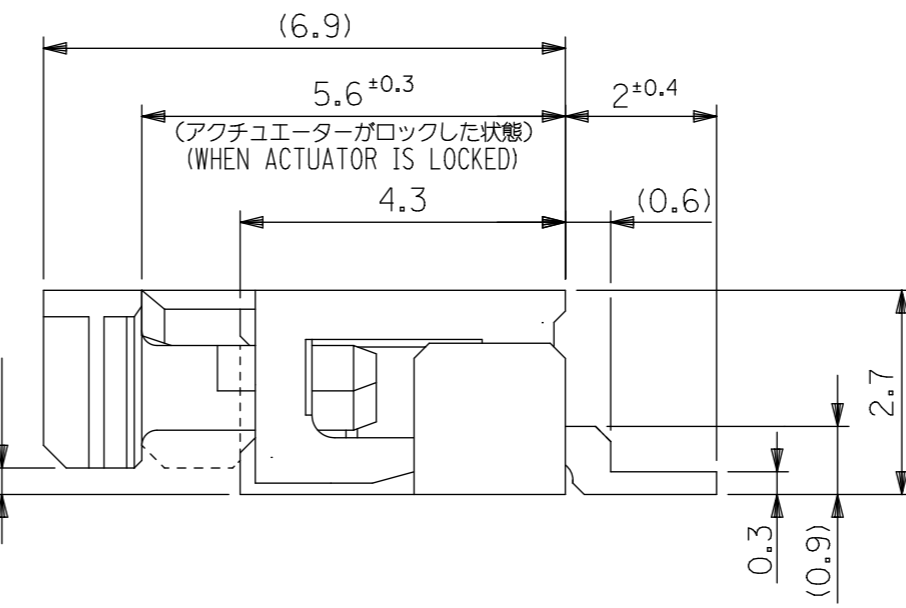
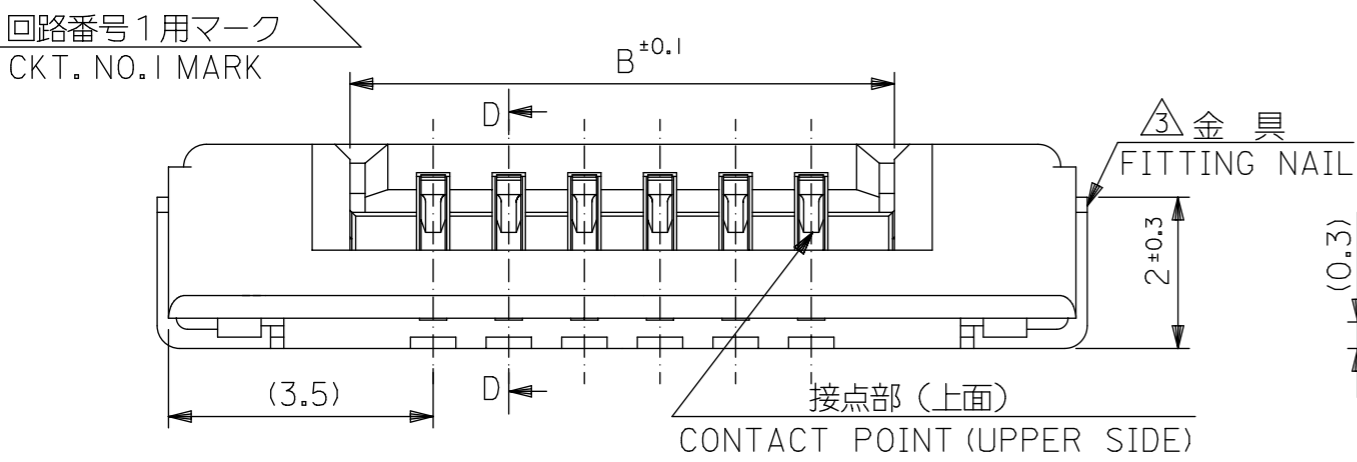
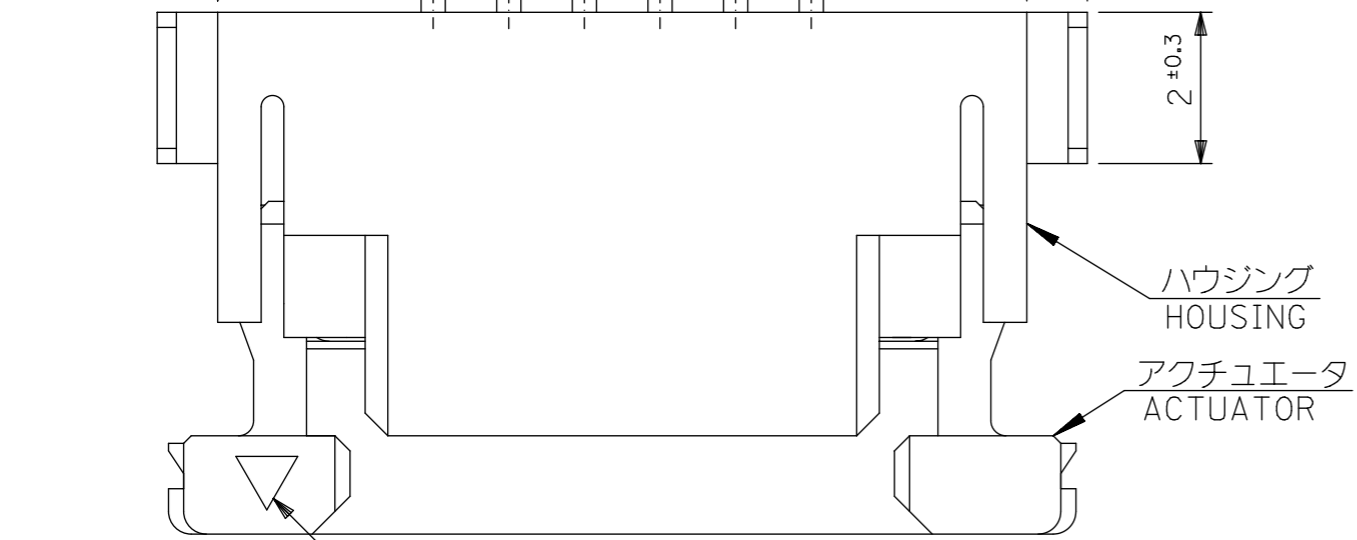


断面D-D
SECT.D-D



38.7	35.2	33	52207-3485	34
34.7	31.2	29	52207-3085	30
33.7	30.2	28	52207-2985	29
32.7	29.2	27	52207-2885	28
31.7	28.2	26	52207-2785	27
30.7	27.2	25	52207-2685	26
29.7	26.2	24	52207-2585	25
28.7	25.2	23	52207-2485	24
27.7	24.2	22	52207-2385	23
26.7	23.2	21	52207-2285	22
25.7	22.2	20	52207-2185	21
24.7	21.2	19	52207-2085	20
23.7	20.2	18	52207-1985	19
22.7	19.2	17	52207-1885	18
21.7	18.2	16	52207-1785	17
20.7	17.2	15	52207-1685	16
19.7	16.2	14	52207-1585	15
18.7	15.2	13	52207-1485	14
17.7	14.2	12	52207-1385	13
16.7	13.2	11	52207-1285	12
15.7	12.2	10	52207-1185	11
14.7	11.2	9	52207-1085	10
13.7	10.2	8	52207-0985	9
12.7	9.2	7	52207-0885	8
11.7	8.2	6	52207-0785	7
10.7	7.2	5	52207-0685	6
9.7	6.2	4	52207-0585	5
8.7	5.2	3	52207-0485	4
7.7	4.2	2	52207-0385	3
C	B	A	EMBOSSED PACKAGE ORDER NO.	極数 CIRCUITS

CONNECTOR SERIES NO. 52207-**19

THIS DRAWING CONTAINS INFORMATION THAT IS PROPRIETARY TO MOLEX ELECTRONIC TECHNOLOGIES, LLC AND SHOULD NOT BE USED WITHOUT WRITTEN PERMISSION

SCALE: mm NTS

GENERAL TOLERANCES (UNLESS SPECIFIED)

ANGULAR TOL ± °

4 PLACES ±

3 PLACES ±

2 PLACES ±

1 PLACE ±

0 PLACES ±

DRAFT WHERE APPLICABLE MUST REMAIN WITHIN DIMENSIONS

THIRD ANGLE PROJECTION

DRAWING: A3-SIZE

SERIES: 52207

MATERIAL NUMBER: SEE TABLE

CUSTOMER: GENERAL MARKET

SHEET NUMBER: 1 OF 2

EC NO: 719890

DRWN: NARENC 2022/08/22

CHK'D: SMARUYAMA 2022/09/05

APPR: YNAITO 2022/09/05

INITIAL REVISION:

DRWN: MNINOMIYA 2004/02/18

APPR: MSASAO 2004/02/18

DOCUMENT NUMBER: SD-52207-060

DOC TYPE: PSD

DOC PART: 001

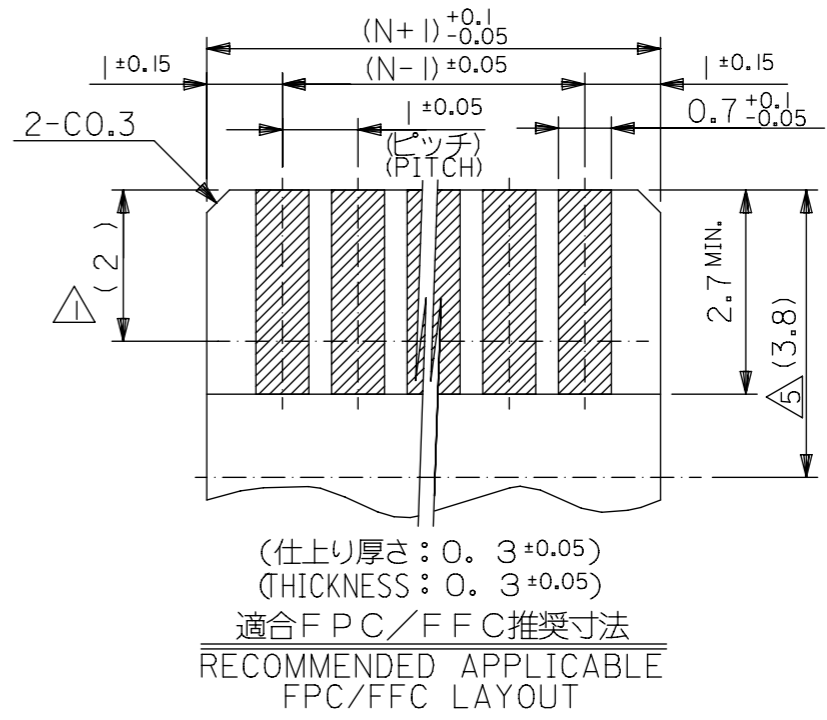
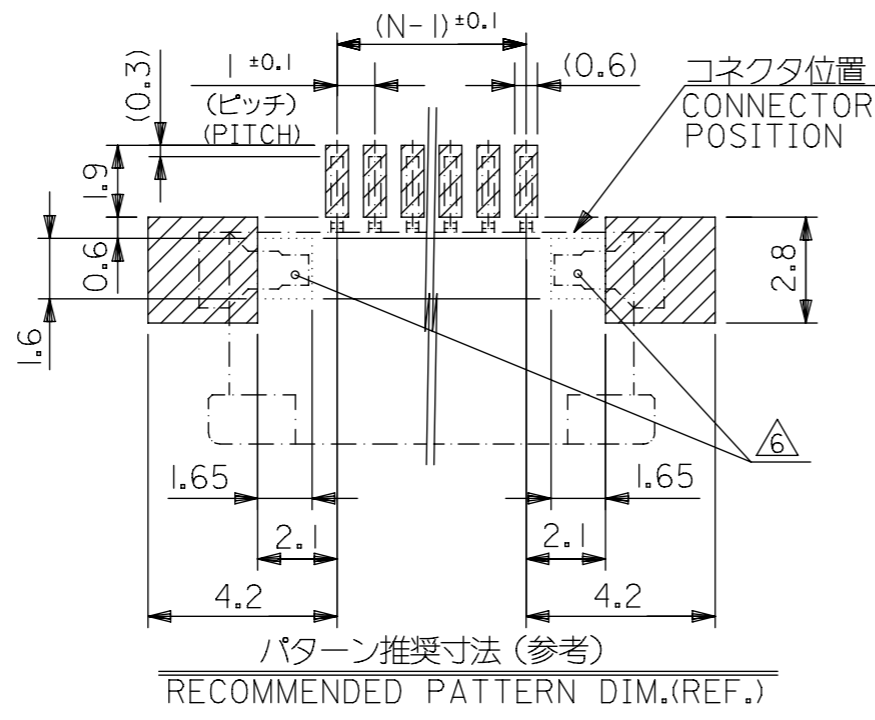
REVISION: F

PRODUCT CUSTOMER DRAWING

1.0 PITCH FPC CONN. ZIF SMT -LEAD FREE-

GENERAL TOLERANCES (UNLESS SPECIFIED)

10 ^{UNDER}	±0.2
10 ^{OVER} 30 ^{UNDER}	±0.25
30 ^{OVER}	±0.3
ANGULAR	±3 °



注記 NOTES

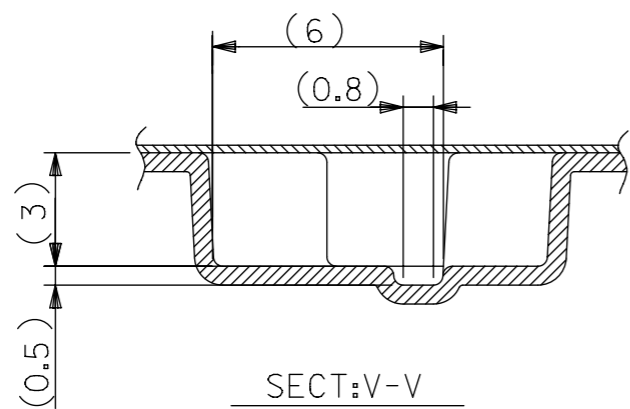
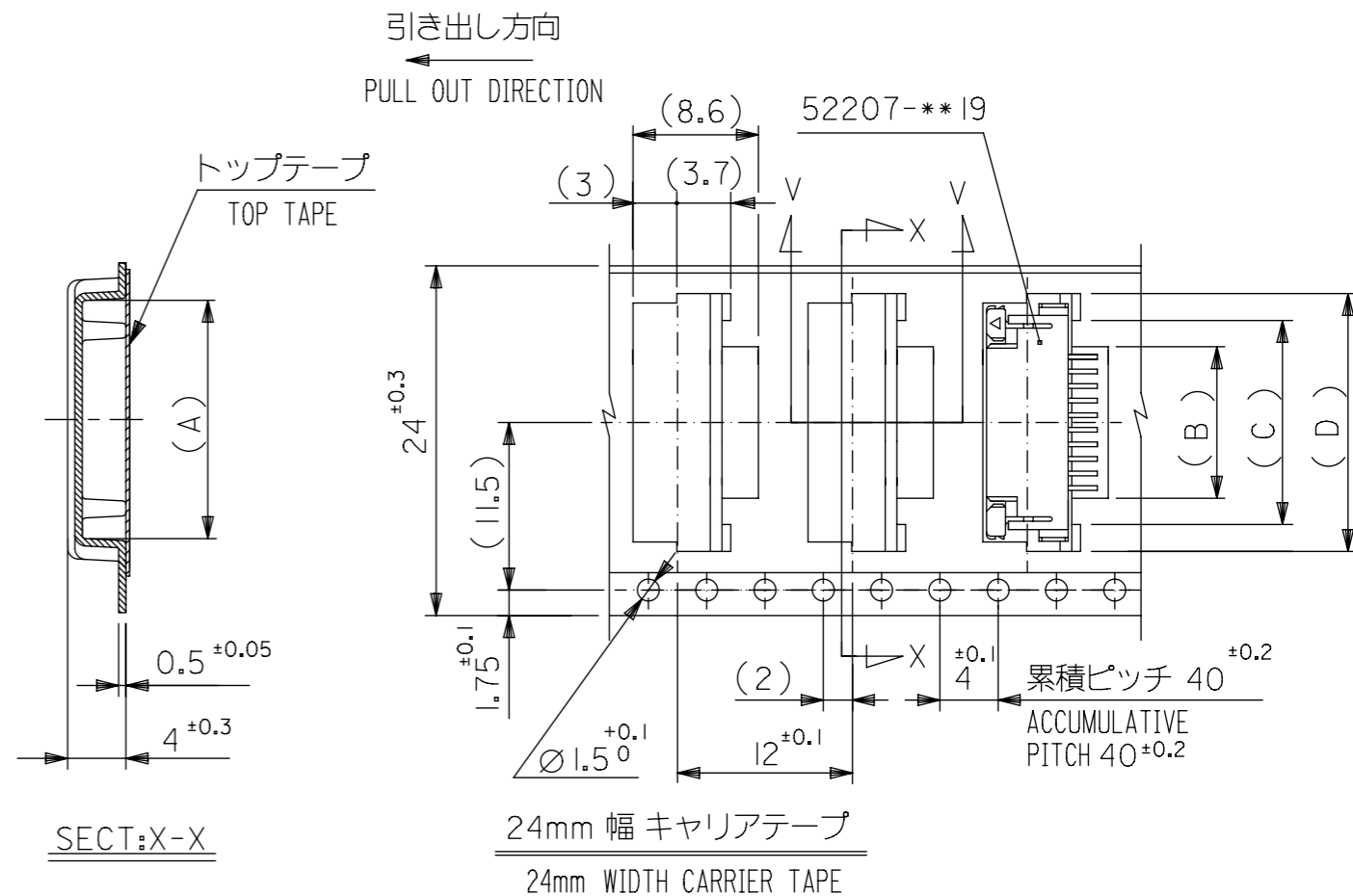
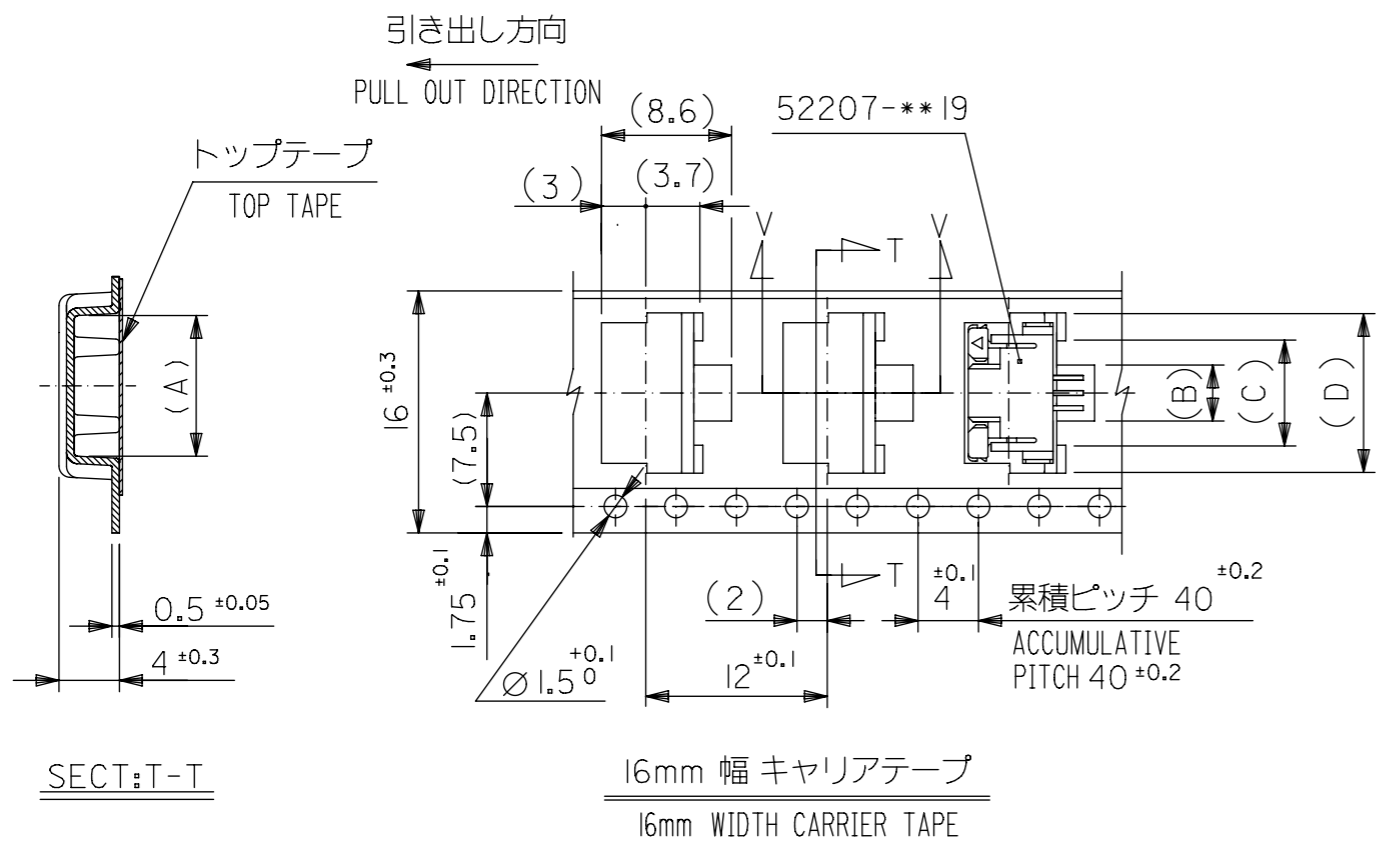
- △ 接点部までの嵌合長さ。
LENGTH TO CONTACT POINT.
- 2. 使用材料 MATERIAL
 - ハウジング : 46ナイロン (耐熱性), UL94V-0
HOUSING : 46NYLON, UL94V-0
 - アクチュエータ : PPS, UL94V-0
ACTUATOR : PPS, UL94V-0
 - ターミナル : リン青銅
TERMINAL : PHOSPHOR BRONZE
 - 錫・ビスマスメッキ 1.0マイクロメートル以上
: TIN BISMUTH 1.0 MICROMETER MINIMUM
 - ニッケル下地 1.0マイクロメートル以上
: NICKEL (UNDER PLATING) 1.0 MICROMETER MINIMUM
 - 銅合金
: COPPER ALLOY
 - 金具 FITTING NAIL : 錫メッキ 1.0マイクロメートル以上
: TIN 1.0 MICROMETER MINIMUM
 - : ニッケル下地 1.0マイクロメートル以上
: NICKEL (UNDER PLATING) 1.0 MICROMETER MINIMUM
- △ 3. パターンはくり止め用金具
FITTING NAIL FOR PREVENTION OF PEELING OF P.C.B. PATTERN.
- 4. エンボステーブ梱包時は、アクチュエータがロックした状態とする。
IN THE PACKAGE, ACTUATOR OF PART NO. 52207-**-19 SHOULD BE LOCKED.
- △ 5. ケーブル挿入深さ
INSERTION DEPTH OF CABLE.
- △ 6. パターン書き込み禁止エリア。
NO FOOT PRINT AREA.
- 7. 本製品は 52207-**-17 の鉛フリー品である。
THIS PRODUCT IS LEAD FREE OF 52207-**-17.
- 8. ELV及びRoHS適合品
ELV AND RoHS COMPLIANT

FPCについて:

打抜き方向は導体側から補強板を推奨致します。
補強フィルム材質はポリイミドを推奨致します。
接着剤は熱硬化接着剤を推奨致します。

ABOUT FPC:
RECOMMENDED PUNCHER DIRECTION : FROM CONDUCTOR SIDE TO STIFFENER BOARD SIDE.
RECOMMENDED MATERIAL :
STIFFENER FILM : POLYIMIDE
BONDING AGENT : THERMOSETTING BONDING AGENT

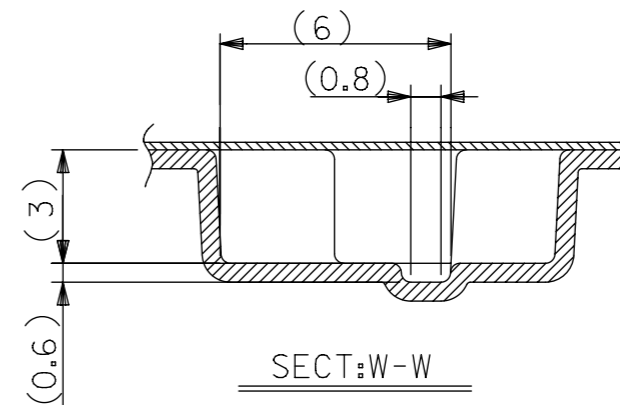
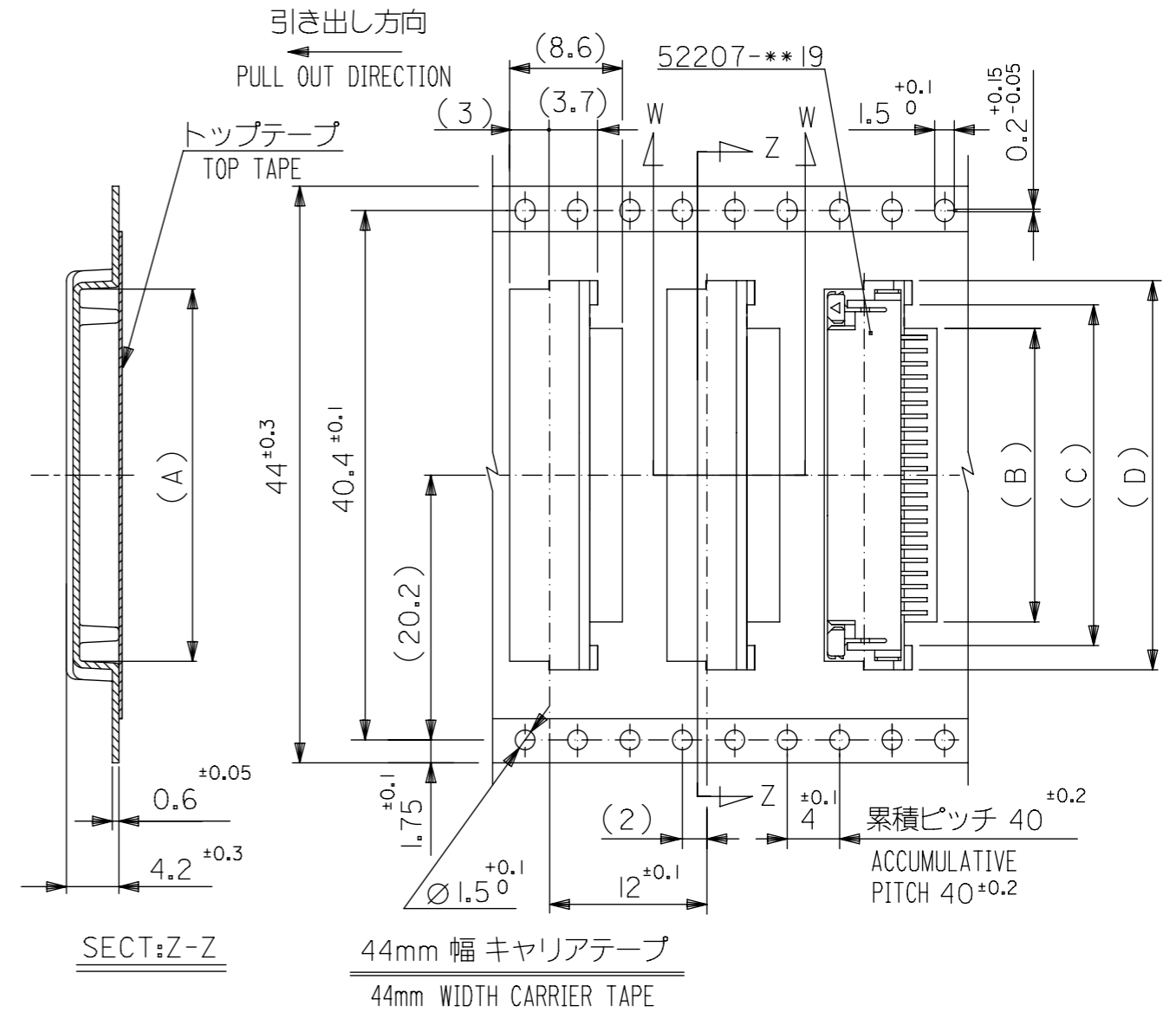
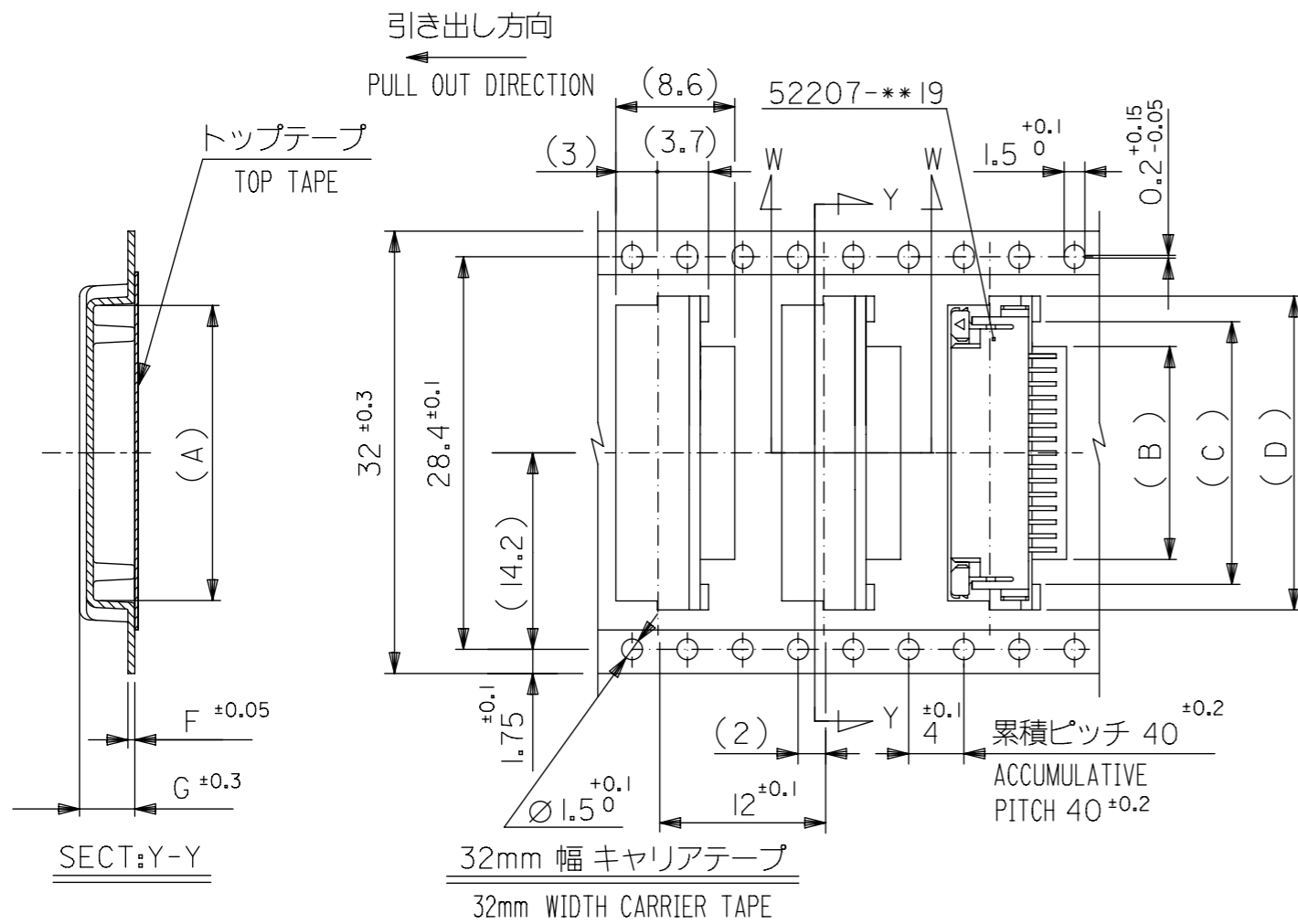
THIS DRAWING CONTAINS INFORMATION THAT IS PROPRIETARY TO MOLEX ELECTRONIC TECHNOLOGIES, LLC AND SHOULD NOT BE USED WITHOUT WRITTEN PERMISSION		CURRENT REV DESC:		molex	
DIMENSION UNITS	SCALE				
mm	NTS			1.0 PITCH FPC CONN. ZIF SMT -LEAD FREE-	
GENERAL TOLERANCES (UNLESS SPECIFIED)		ANGULAR TOL ± °		PRODUCT CUSTOMER DRAWING	
4 PLACES ±		EC NO: 719890		DOCUMENT NUMBER	
3 PLACES ±		DRWN: NARENC 2022/08/22		DOC TYPE DOC PART REVISION	
2 PLACES ±		CHK'D: SMARUYAMA 2022/09/05		SD-52207-060	
1 PLACE ±		APPR: YNAITO 2022/09/05		PSD 001 F	
0 PLACES ±		INITIAL REVISION:		MATERIAL NUMBER	
		DRWN: MNINOMIYA 2004/02/18		CUSTOMER	
		APPR: MSASAO 2004/02/18		GENERAL MARKET	
DRAFT WHERE APPLICABLE MUST REMAIN WITHIN DIMENSIONS		THIRD ANGLE PROJECTION	DRAWING	SERIES	SHEET NUMBER
ANGULAR ±3 °			A3-SIZE	52207	2 OF 2



				18.5	15	11.7	17.3	52207-1185	11
				17.5	14	10.7	16.3	4 -1085	10
				16.5	13	9.7	15.3	-0985	9
				15.5	12	8.7	14.3	-0885	8
				14.5	11	7.7	13.3	-0785	7
				13.5	10	6.7	12.3	-0685	6
				12.5	9	5.7	11.3	-0585	5
				11.5	8	4.7	10.3	∇ -0485	4
52207-***85	16	21.4	17.4	10.5	7	3.7	9.3	52207-0385	3
MODEL NO.	キャリアテープ幅 CARRIER TAPE WIDTH	H	E	(D)	(C)	(B)	(A)	MATERIAL NO.	極数 CKT.

THIS DRAWING CONTAINS INFORMATION THAT IS PROPRIETARY TO MOLEX ELECTRONIC TECHNOLOGIES, LLC AND SHOULD NOT BE USED WITHOUT WRITTEN PERMISSION

GENERAL TOLERANCES (UNLESS SPECIFIED) 10 ^{UNDER} ±0.2 10 ^{OVER} 30 ^{UNDER} ±0.25 30 ^{OVER} ±0.3 ANGULAR ±3°		DIMENSION UNITS: mm SCALE: NTS ANGULAR TOL: ± ° 4 PLACES ± 3 PLACES ± 2 PLACES ± 1 PLACE ± 0 PLACES ± DRAFT WHERE APPLICABLE MUST REMAIN WITHIN DIMENSIONS		CURRENT REV DESC: EC NO: 719890 DRWN: NARENC 2022/08/22 CHK'D: SMARUYAMA 2022/09/05 APPR: YNAITO 2022/09/05 INITIAL REVISION: DRWN: MNINOMIYA 2004/02/18 APPR: MSASAO 2004/02/18		molex EMBOSSED TAPE PACKAGE FOR 52207-***19 -LEAD FREE- PRODUCT CUSTOMER DRAWING		DOCUMENT NUMBER: SD-52207-061 DOC TYPE: PSD DOC PART: 001 REVISION: D		MATERIAL NUMBER: SEE TABLE CUSTOMER: GENERAL MARKET SHEET NUMBER: 1 OF 3	
--	--	--	--	---	--	---	--	--	--	--	--

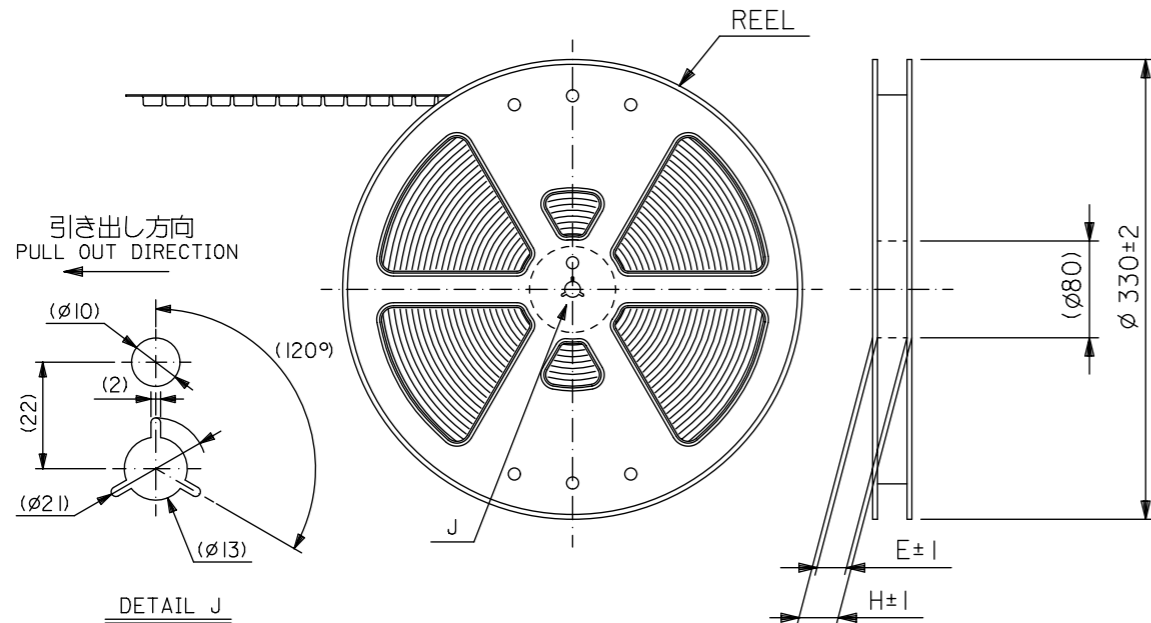


32	37.4	33.4	4.0	0.5	23.5	20	16.7	22.35	52207-1685	16
			4.2	0.6	22.5	19	15.7	21.35	4-1585	15
			4.2	0.6	21.5	18	14.7	20.35	-1485	14
			4.2	0.6	20.5	17	13.7	19.35	7-1385	13
			4.2	0.6	19.5	16	12.7	18.35	52207-1285	12
キャリアテープ幅 CARRIER TAPE WIDTH	H	E	(G)	(F)	(D)	(C)	(B)	(A)	MATERIAL NO.	極数 CKT.

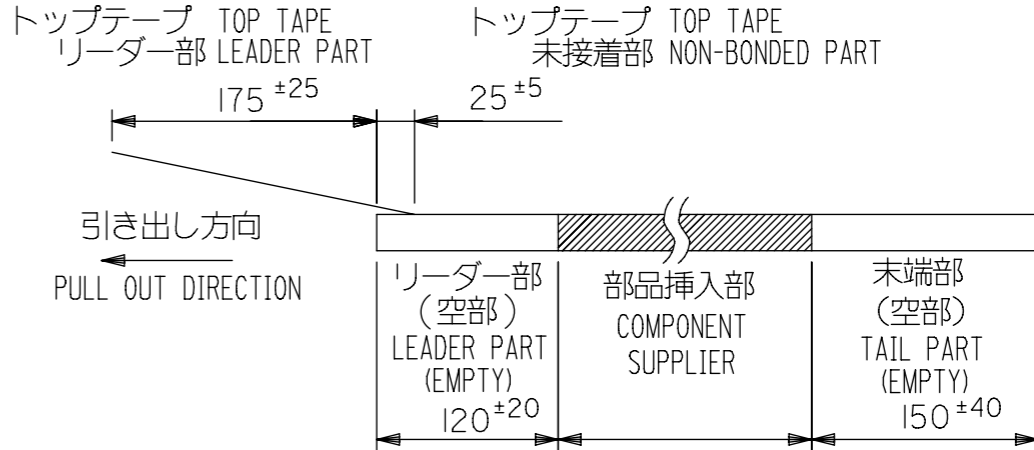
44	49.4	45.4	34.5	31	27.7	33.35	52207-2785	27
			33.5	30	26.7	32.35	4-2685	26
			32.5	29	25.7	31.35	-2585	25
			31.5	28	24.7	30.35	-2485	24
			30.5	27	23.7	29.35	-2385	23
			29.5	26	22.7	28.35	-2285	22
			28.5	25	21.7	27.35	-2185	21
			27.5	24	20.7	26.35	-2085	20
			26.5	23	19.7	25.35	-1985	19
			25.5	22	18.7	24.35	7-1885	18
24.5	21	17.7	23.35	52207-1785	17			
キャリアテープ幅 CARRIER TAPE WIDTH	H	E	(D)	(C)	(B)	(A)	MATERIAL NO.	極数 CKT.

DOCUMENT STATUS	P1	RELEASE DATE	2022/09/05	05:51:49
-----------------	----	--------------	------------	----------

THIS DRAWING CONTAINS INFORMATION THAT IS PROPRIETARY TO MOLEX ELECTRONIC TECHNOLOGIES, LLC AND SHOULD NOT BE USED WITHOUT WRITTEN PERMISSION		CURRENT REV DESC:			
DIMENSION UNITS	SCALE	EC NO: 719890			
mm	NTS	DRWN: NARENC 2022/08/22		EMBOSSSED TAPE PACKAGE FOR 52207-**-19 -LEAD FREE-	
GENERAL TOLERANCES (UNLESS SPECIFIED)		CHK'D: SMARUYAMA 2022/09/05		PRODUCT CUSTOMER DRAWING	
10 ^{UNDER}	±0.2	APPR: YNAITO 2022/09/05		DOCUMENT NUMBER	
10 ^{OVER}	±0.25	INITIAL REVISION:		SD-52207-061	
30 ^{OVER}	±0.3	DRWN: MNINOMIYA 2004/02/18		DOC TYPE	
ANGULAR	±3°	APPR: MSASAO 2004/02/18		PSD 001	
DRAFT WHERE APPLICABLE MUST REMAIN WITHIN DIMENSIONS		THIRD ANGLE PROJECTION		DOC PART	
		DRAWING		REVISION	
		SERIES		D	
		MATERIAL NUMBER		SHEET NUMBER	
		CUSTOMER		2 OF 3	
		SEE TABLE		GENERAL MARKET	

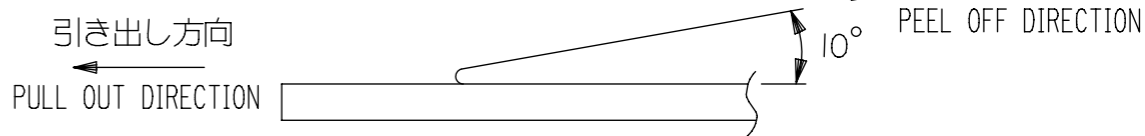


- 注記**
- 製品番号 52207-**-19 の梱包状態はアクチュエータがロックした状態とする。
IN THE PACKAGE, ACTUATOR OF PART NO. 52207-**-19 SHOULD BE LOCKED
RE DETAILED DIMENSIONS, SEE SD-52207-060
 - 梱包数量：1000個/リール
NUMBER OF CONNECTORS：1000PCS/REEL
 - リードテープ長さ(LEAD TAPE LENGTH)

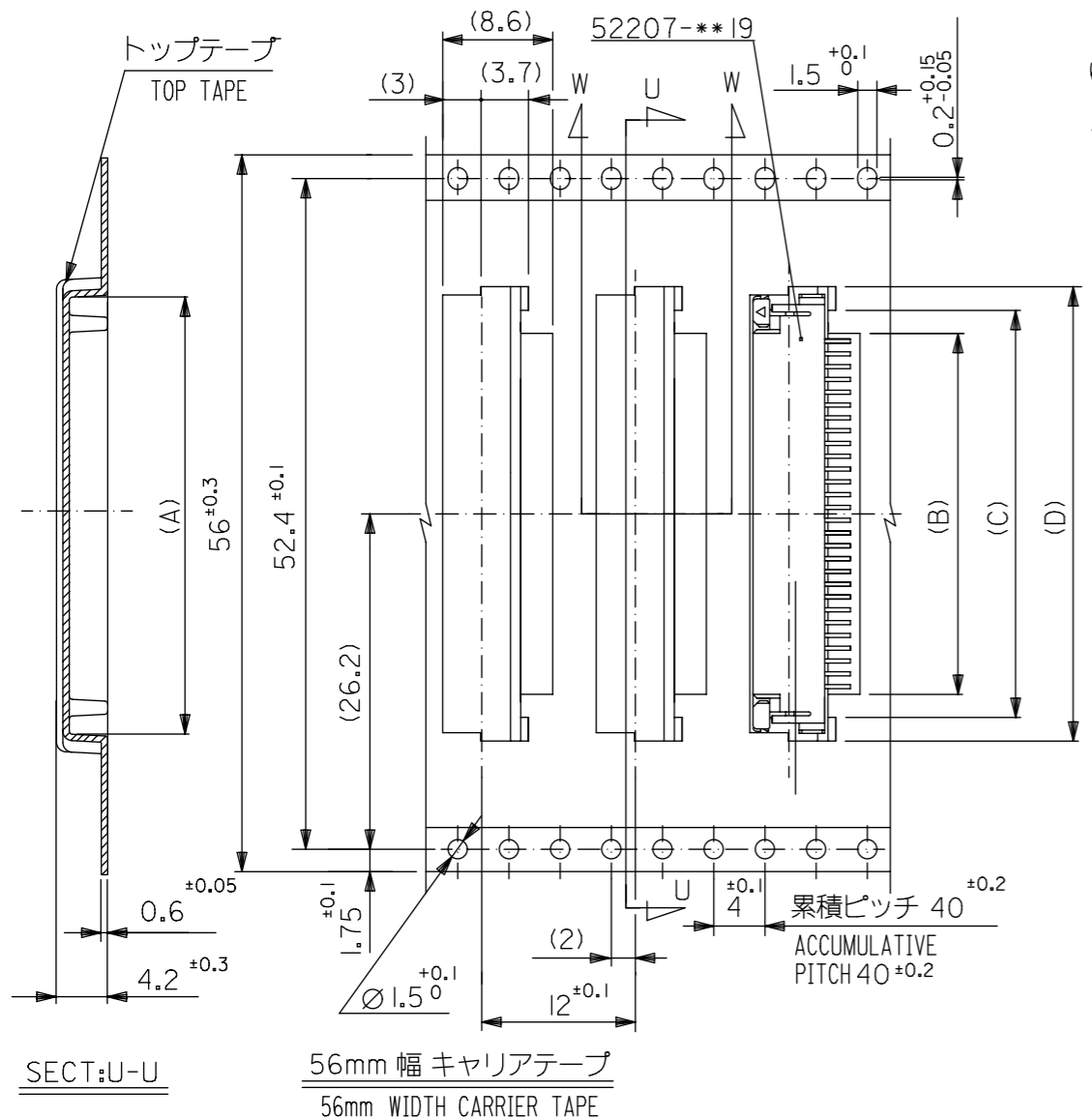


- 本製品は 52207-**-90 の鉛フリー品である。
THIS PRODUCT IS LEAD FREE OF 52207-**-90.
- 本製品は乾燥剤入り、ハイバリア梱包仕様である。
THIS PRODUCT IS HIGH BARRIER PACKAGE WITH DESICCANT.

- トップテープの剥離強度：(剥離方向は下図参照)
0.1N ~ 1.3N(10gf ~ 130gf) MAX.尚、本規格値は、出荷時に適用。
(但し、輸送時に剥離が発生しない事。)
PEELING OFF FORCE OF TOP TAPE : 0.1N ~ 1.3N(10gf ~ 130gf) MAX.
(PEELING DIRECTION AS SHOWN IN FOLLOWING FIG.)
THIS REQUIREMENT SHOULD BE APPLIED AT SHIPMENT. (PEEL OFF SHOULD NOT BE ALLOWED ,
DURING TRANSPORTATION.)



- 材料 (MATERIAL)
キャリアテープ (CARRIER TAPE) : ポリプロピレン (POLYPROPYLENE)
トップテープ (TOPTAPE) : PET, PE, PEF
リール (REEL) : ポリスチレン (PS) <リサイクル材を含む>
POLYSTYRENE (PS) <RECYCLE MATERIAL CONTAINED>



52207-**-85	56	61.4	57.4	41.5	38	34.7	40.35	52207-3485	34
				37.5	34	30.7	36.35	52207-3085	30
				36.5	33	29.7	35.35	52207-2985	29
				35.5	32	28.7	34.35	52207-2885	28
MODEL NO.	キャリアテープ幅 CARRIER TAPE WIDTH	H	E	(D)	(C)	(B)	(A)	MATERIAL NO.	極数 CKT.

THIS DRAWING CONTAINS INFORMATION THAT IS PROPRIETARY TO MOLEX ELECTRONIC TECHNOLOGIES, LLC AND SHOULD NOT BE USED WITHOUT WRITTEN PERMISSION

DIMENSION UNITS: mm		SCALE: NTS		CURRENT REV DESC:		molex					
GENERAL TOLERANCES (UNLESS SPECIFIED)										EMBOSSSED TAPE PACKAGE FOR 52207-**-19 -LEAD FREE-	
10 ^{UNDER}		±0.2		4 PLACES		EC NO: 719890		2022/08/22		PRODUCT CUSTOMER DRAWING	
10 ^{OVER} 30 ^{UNDER}		±0.25		3 PLACES		DRWN: NARENC		2022/09/05			
30 ^{OVER}		±0.3		2 PLACES		CHK'D: SMARUYAMA		2022/09/05		DOCUMENT NUMBER	
ANGULAR		±3°		1 PLACE		APPR: YNAITO		2022/09/05		DOC TYPE DOC PART REVISION	
DRAFT WHERE APPLICABLE MUST REMAIN WITHIN DIMENSIONS		THIRD ANGLE PROJECTION		DRAWING		SERIES		MATERIAL NUMBER		CUSTOMER	
				A3-SIZE		52207		SEE TABLE		GENERAL MARKET	