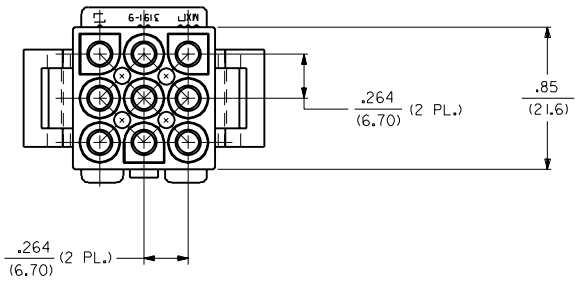


PLUG



J1	ADD RAMP DIM'S ECN #U4 0293 3-1-94 RW
J2	REV. AND REDRAWN ECN #U03592 GEP 8-2-89 RW
J1	
MFG. SH. REV.	LTR. REVISIONS

DIMENSIONS SHOWN METRIC (INCH)		UNLESS OTHERWISE SPECIFIED TOLERANCES: ANGULAR ± .005°	
3 PLACE	± .010	---	---
2 PLACE	± .014	± 0.25	---
1 PLACE	---	± 0.35	---
DRAFT WHERE APPLICABLE MUST REMAIN WITHIN DIMENSIONS			
DRWG. BY: CEP	CHKD. BY: RW	FILE NAME: S31919X1.DWG	APP'D. BY: RAS
SCALE: 2:1		SHEET NO. 1 OF 3	
DATE: 8/2/89		U.S.A.	
PART NO. SEE CHART		DRWG. NO. SD-3191-9*	
MOLEX INCORPORATED			
THIS DRAWING CONTAINS INFORMATION THAT IS PROPRIETARY TO MOLEX INC. AND SHOULD NOT BE USED WITHOUT WRITTEN PERMISSION.			

PLUG		RECEPTACLE	
PART NO.	ENG. NO.	PART NO.	ENG. NO.
19-09-2098	3191-9P	19-09-1099	3191-9R1
19-09-2099	3191-9P1	19-09-1096	3191-9R1-201
19-09-2097	3191-9P-201		
19-09-2096	3191-9P1-201		

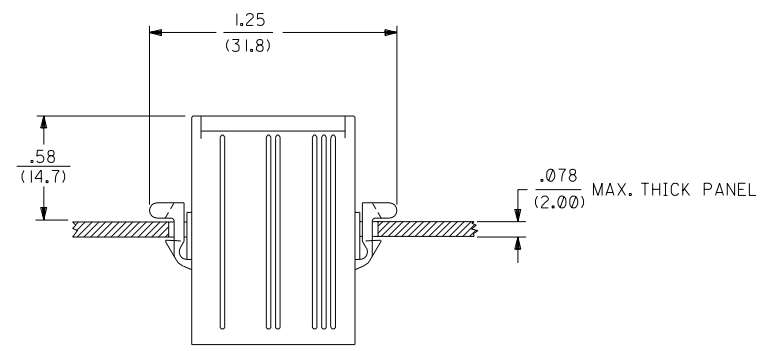
LEGEND:

3191-9****-*

CIRCUIT SIZE

P = PLUG
R = RECEPTACLE

EARS: BLANK = WITH PREBENT EARS (PLUG ONLY)
I = WITHOUT EARS

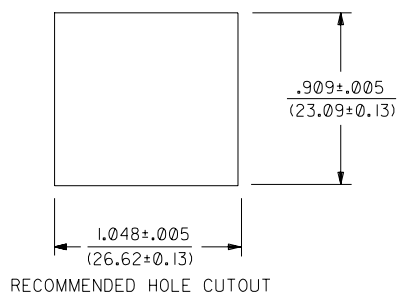


COLOR: BLANK = NATURAL COLOR

AM=AMBER BK=BLACK BU=BLUE
BN=BROWN GY=GRAY GN=GREEN
OR=ORANGE RD=RED YW=YELLOW

COLORS AVAILABLE ONLY IN 94V-2 MATERIAL

MATERIAL: BLANK=NYLON TYPE 6/6, 94V-2
201=NYLON TYPE 6/6, 94V-0



NOTES:

I. THESE HOUSINGS FOR USE WITH MOLEX .093/(2.36) DIAMETER SERIES TERMINALS.

DIMENSIONS SHOWN (METRIC) INCH UNLESS OTHERWISE SPECIFIED TOLERANCES: ANGULAR ± .04° 0		REVISE ONLY ON CAD SYSTEM																			
<table border="1"> <thead> <tr> <th></th> <th>INCH</th> <th>METRIC</th> </tr> </thead> <tbody> <tr> <td>3 PLACE</td> <td>± .010</td> <td>---</td> </tr> <tr> <td>2 PLACE</td> <td>± .014</td> <td>± 0.25</td> </tr> <tr> <td>1 PLACE</td> <td>---</td> <td>± 0.35</td> </tr> </tbody> </table>			INCH	METRIC	3 PLACE	± .010	---	2 PLACE	± .014	± 0.25	1 PLACE	---	± 0.35	<table border="1"> <tr> <td>TITLE</td> <td>.093/(2.36) HOUSINGS PLUG AND RECEPTACLE 9 CKT., .264/(6.70) CTRS.</td> </tr> <tr> <td>FROM: MOLEX INCORPORATED</td> <td>SHEET NO. 3 DATE 8/ 2/89</td> </tr> <tr> <td>LITLLE, ILL. 60532 U.S.A.</td> <td></td> </tr> </table>		TITLE	.093/(2.36) HOUSINGS PLUG AND RECEPTACLE 9 CKT., .264/(6.70) CTRS.	FROM: MOLEX INCORPORATED	SHEET NO. 3 DATE 8/ 2/89	LITLLE, ILL. 60532 U.S.A.	
	INCH	METRIC																			
3 PLACE	± .010	---																			
2 PLACE	± .014	± 0.25																			
1 PLACE	---	± 0.35																			
TITLE	.093/(2.36) HOUSINGS PLUG AND RECEPTACLE 9 CKT., .264/(6.70) CTRS.																				
FROM: MOLEX INCORPORATED	SHEET NO. 3 DATE 8/ 2/89																				
LITLLE, ILL. 60532 U.S.A.																					
DRAFT WHERE APPLICABLE MUST REMAIN WITHIN DIMENSIONS		PART NO. SD-3191-9*																			
DRWG. BY: GEP CHK'D. BY: RW		FILE NAME: S31919X3.DGN																			
APP'D. BY: RAS SCALE: --:--		THIS DRAWING CONTAINS INFORMATION THAT IS PROPRIETARY TO MOLEX INC. AND SHOULD NOT BE USED WITHOUT WRITTEN PERMISSION.																			
LTR.	REVISIONS	LTR.	REVISIONS																		

3191

NO P.S. 1