

4

3

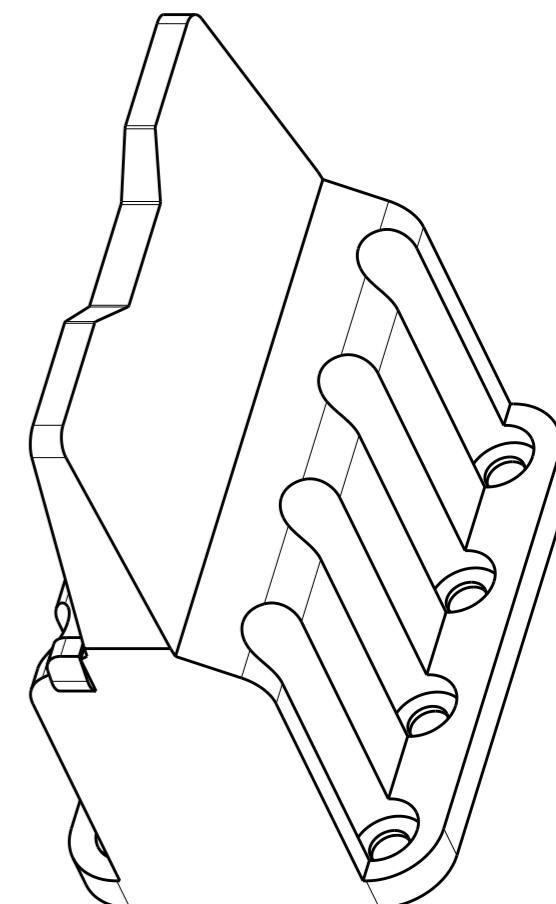
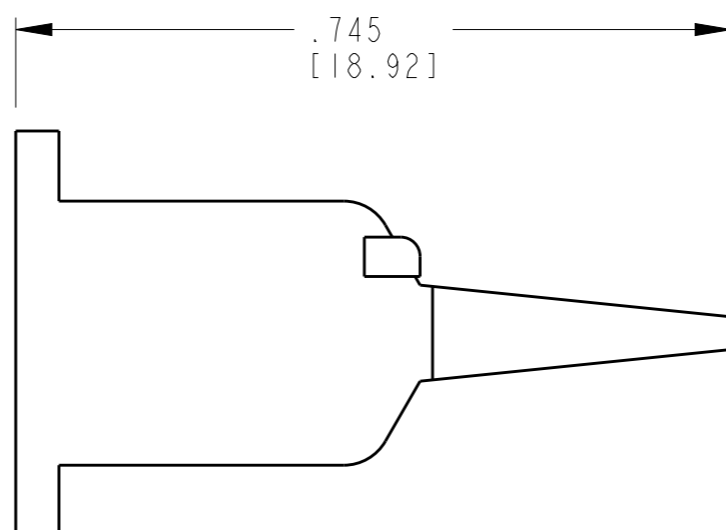
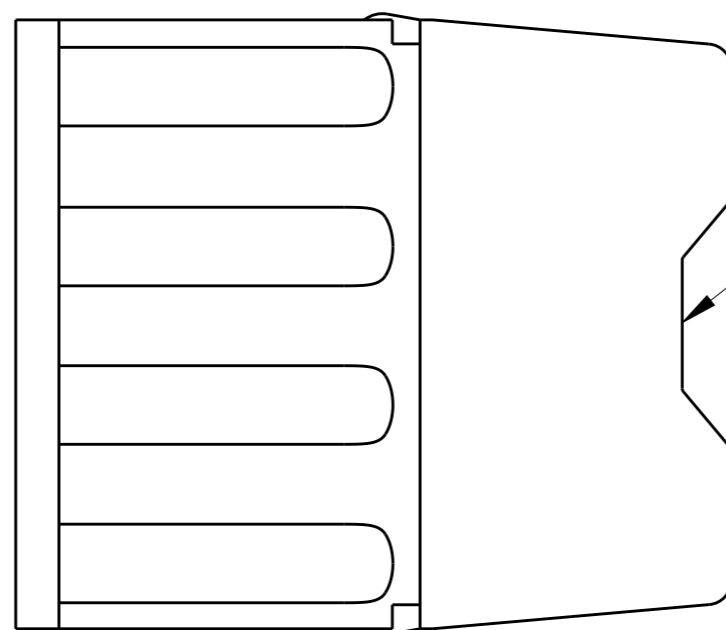
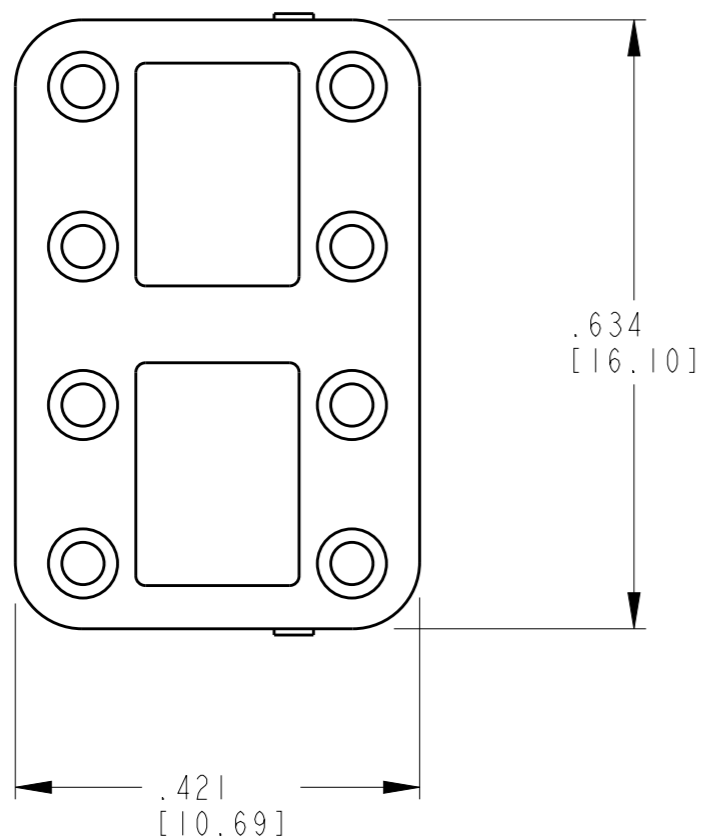
2

1

THIS DRAWING IS UNPUBLISHED
RELEASED FOR PUBLICATION 2017
© COPYRIGHT 2017 BY -TE CONNECTIVITY ALL RIGHTS RESERVED.

REVISIONS

P	LTR	DESCRIPTION	DATE	DWN	APVD
	B	REVISED PER PCN E-17-016543	26OCT2017	SS	DM



TE INTERNAL PN	DEUTSCH PN
WM-8S	WM-8S

THIS DRAWING IS A CONTROLLED DOCUMENT.

DWN J. APOSTOL 25APR2007
 CHK B. BYFORD 01MAY2007
 APVD R. REED 02MAY2007



DIMENSIONS: INCHES [mm]	TOLERANCES UNLESS OTHERWISE SPECIFIED:
	0 PLC ±-
	1 PLC ±-
	2 PLC ±-
	3 PLC ±.025 [0.63]
	4 PLC ±-
	ANGLES ±0°30'0"
MATERIAL PBT GF ORANGE	FINISH -

PRODUCT SPEC 108-151010
 APPLICATION SPEC -
 WEIGHT 1.25 GR
 CUSTOMER DRAWING

NAME WEDGE LOCK FOR 8 CONT. PLUG HOUSING DTM SERIES				RESTRICTED TO
SIZE A3	CAGE CODE 4AFU8	DRAWING NO WM-8S		
SCALE 5:1	SHEET 1	OF 1	REV B	

1. THIS WEDGE LOCK MATES WITH DTM06-08SX-XXXX PLUG.
(X = A,B,C,D KEYS; XXXX = ALL MODIFICATIONS).
CONSULT FACTORY FOR MODS.

NOTES: UNLESS OTHERWISE SPECIFIED