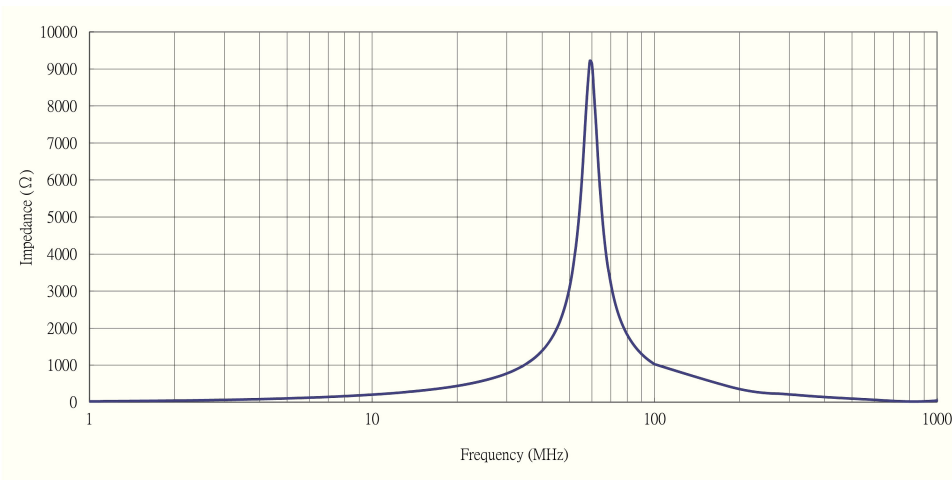


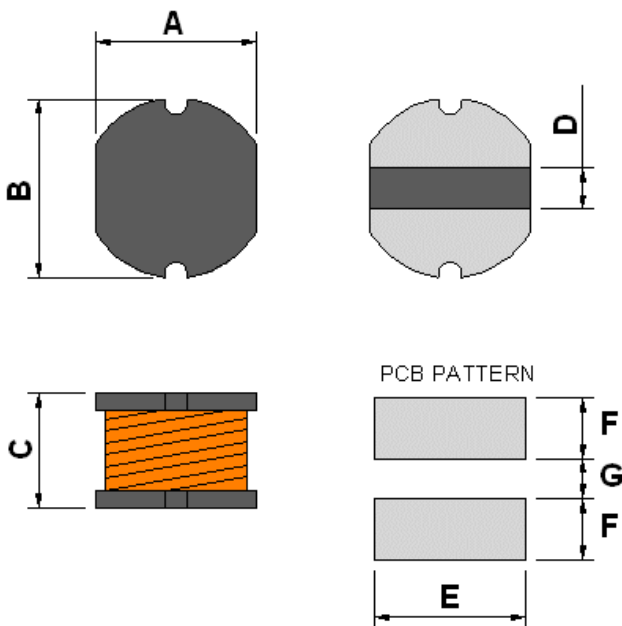
Order Code	TCK-110
Inductance	3.3 μ H \pm 20% (at 1 kHz / 1 V)
Impedance (DCR)	70 m Ω max.
Rated Current	2 A max.
Operating Temperature	-40°C to +125°C
RoHS Exemptions	No Exemptions



Impedance Curve



Outline Dimensions



Dimensions [mm]	
A	4.2 \pm 0.5
B	4.7 \pm 0.5
C	4.2 max.
D	1.8 typ.
E	4.5
F	1.75
G	1.5

All specifications valid at +25°C, unless otherwise stated.