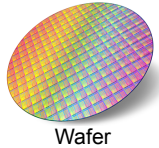


## NFC Type 5 / RFID tag IC with 16-Kbit or 64-Kbit EEPROM and protection



Wafer



### Features

#### Contactless interface

- Based on ISO/IEC 15693
- NFC Forum Type 5 tag certified by the NFC Forum
- Supports all ISO/IEC 15693 modulations, coding, subcarrier modes and data rates
- Custom Fast read access up to 53 Kbit/s
- Single and multiple block reads (Same for Extended commands)
- Single and multiple block writes (Same for Extended commands) (up to 4)
- Internal tuning capacitance: 28.5 pF
- Kill capability for privacy protection

#### Memory

- 16 KB or 64 Kbits of EEPROM
- RF interface accesses blocks of four bytes
- Typical write time: 5 ms for one block
- Data retention: 40 years
- Write cycles endurance:
  - 1 million write cycles at 25 °C
  - 600k write cycles at 85 °C

#### Data protection

- User memory: one to four configurable areas, protectable in read and/or write by three 64-bit passwords
- System configuration: protected in write by a
- 64-bit password

#### Temperature range

- From - 40 to 85 °C

#### Product status link

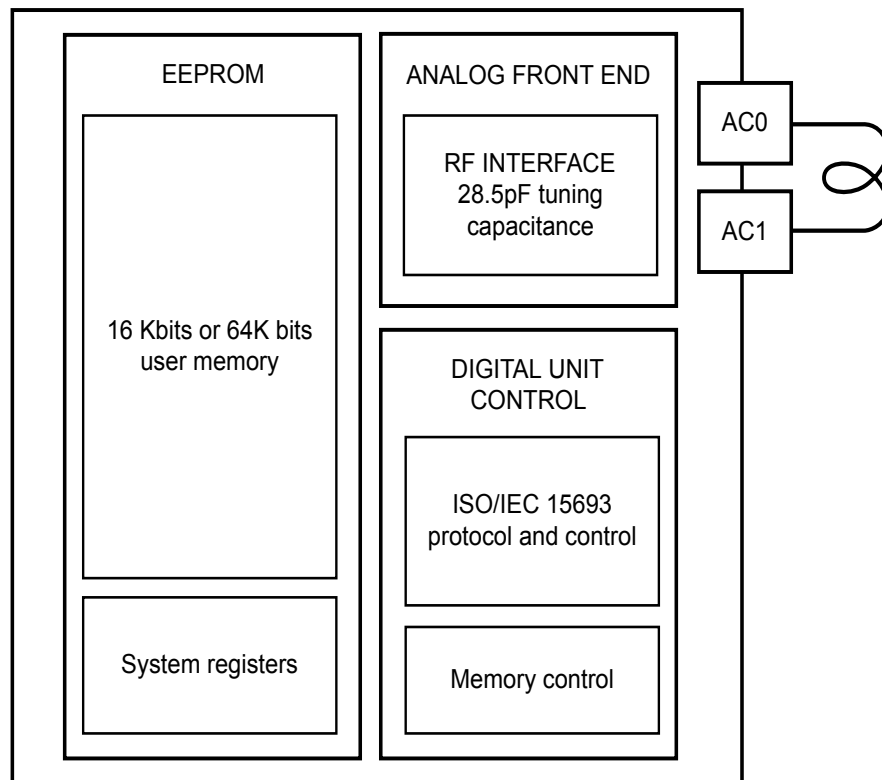
[ST25TV16K](#)
[ST25TV64K](#)

# 1 Description

The ST25TV16K/64K device is a NFC and RFID Tag offering 16 Kbit or 64 Kbit of electrically erasable programmable memory (EEPROM). ST25TV16K/64K acts as a contactless memory accessed through a RF link, following ISO/IEC 15693 or NFC forum type 5 recommendations, and powered by the received carrier electromagnetic wave.

## 1.1 ST25TV16K/64K block diagram

Figure 1. ST25TV16K/64K block diagram



## 2 Signal descriptions

---

### 2.1 Antenna coil (AC0, AC1)

These inputs are used exclusively to connect the ST25TV16K/64K devices to an external coil. It is advised not to connect any other DC or AC path to AC0 or AC1.

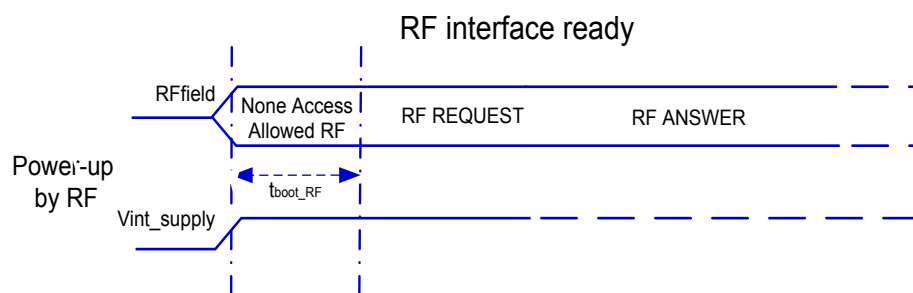
When correctly tuned, the coil is used to power and access the device using the ISO/IEC 15693 and ISO 18000-3 mode 1 protocols.

### 3 Power management

#### 3.1 Device set

To ensure a proper boot of the RF circuitry, the RF field must be turned ON without any modulation for a minimum period of time  $t_{RF\_ON}$ . Before this time, ST25TV16K/64K ignores all received RF commands. (See [Figure 2](#)).

**Figure 2. ST25TV16K/64K RF power-up sequence**



#### 3.2 Device reset

To ensure a proper reset of the RF circuitry, the RF field must be turned off (100% modulation) for a minimum  $t_{RF\_OFF}$  period of time.

The RF access can be definitely disabled by setting the appropriate value in the KILL register.

## 4 Memory management

### 4.1 Memory organization overview

The ST25TV16K/64K memory is divided in two main memory areas:

- User memory
- System configuration area

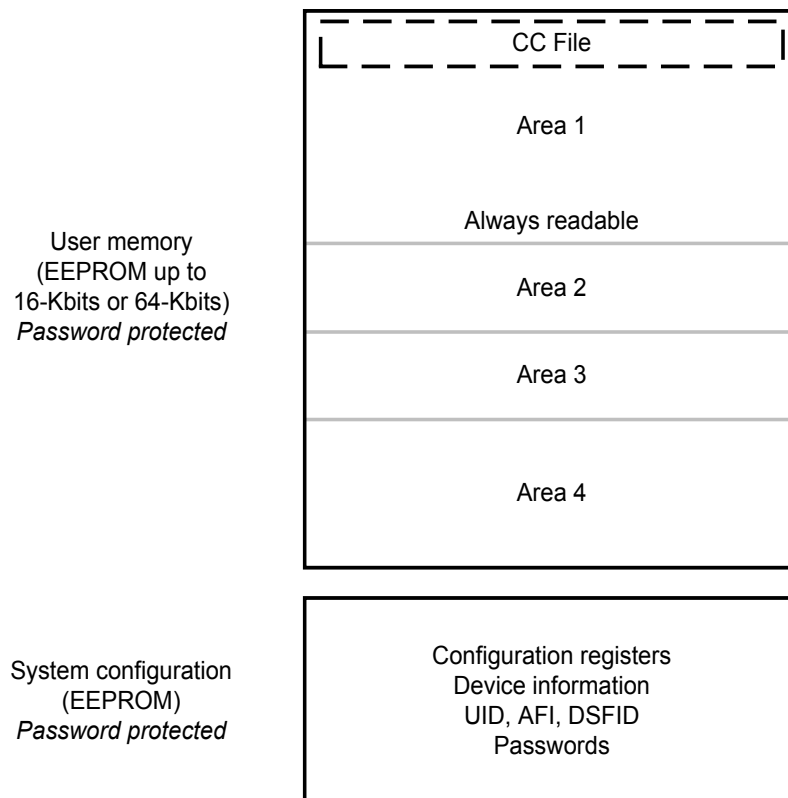
The ST25TV16K/64K user memory can be divided into 4 flexible user areas. Each area can be individually read - and/or - write-protected with one out of three specific 64-bit password.

The ST25TV16K/64K system configuration area contains registers to configure all ST25TV16K/64K features, which can be tuned by user. Its access is protected by a 64 bit configuration password.

This system configuration area also includes read only device information such as IC reference, memory size, as well as a 64-bit block that is used to store the 64-bit unique identifier (UID), and the AFI (default 00h) and DSFID (default 00h) registers. The UID is compliant with the ISO 15693 description, and its value is used during the anticollision sequence (Inventory). The UID value is written by ST on the production line. The AFI register stores the application family identifier. The DSFID register stores the data storage family identifier used in the anticollision algorithm.

The system configuration area includes four additional 64-bit blocks that store three RF user area access passwords and a RF configuration password.

**Figure 3. Memory organization**



## 4.2 User memory

User memory is addressed as blocks of 4 bytes, starting at address 0. RF Extended Read and Write commands can be used to address all ST25TV16K/64K memory blocks. Other read and write commands can only address up to block FFh.

All the blocks of the user memory are initialized to 00h in the factory.

Table 1. User memory as seen by RF shows how memory is seen from RF interface.

**Table 1. User memory as seen by RF**

RF command (block addressing)	User memory			
	RF block (00)00h			
Read Single Block	Byte	Byte	Byte	Byte
Read Multiple Blocks	0003h	0002h	0001h	0000h
Fast Read Single Block	RF block (00)01h			
Fast Read Multiple Blocks	Byte	Byte	Byte	Byte
Write Single Block	0007h	0006h	0005h	0004h
Write Multiple Blocks	RF block (00)02h			
Ext. Read Single Block	Byte	Byte	Byte	Byte
Ext. Read Multiple Blocks	0011h	0010h	0009h	0008h
Fast Ext. Read Single Block	....			
Fast Ext. Read Multi. Blocks	RF block (00)FFh <sup>(1)</sup>			
Ext. Write Single Block	Byte	Byte	Byte	Byte
Ext. Write Multiple Blocks	03FFh	03FEh	03FDh	03FC
	RF block 0100h			
Ext. Read Single Block	Byte	Byte	Byte	Byte
Ext. Read Multiple Blocks	0403h	0402h	0401h	0400h
Fast Ext. Read Single Block	RF block 01FF <sup>(2)</sup>			
Fast Ext. Read Multi. Blocks	Byte	Byte	Byte	Byte
Ext. Write Single Block	07FFh	07FEh	07FDh	07FC
Ext. Write Multiple Blocks	....			
	RF block 07FFh			
	Byte	Byte	Byte	Byte
	1FFFh	1FFEh	1FFDh	1FFCh

1. Last block accessible with Read Single Block, Read Multiple Blocks, Fast Read Single Block, Fast Read Multiple Blocks, Write Single Block and Write Multiple Blocks RF commands.

2. Last block of user memory in ST25TV16K.

### 4.2.1 User memory areas

The user memory can be split into different areas, each one with a distinct access privilege.

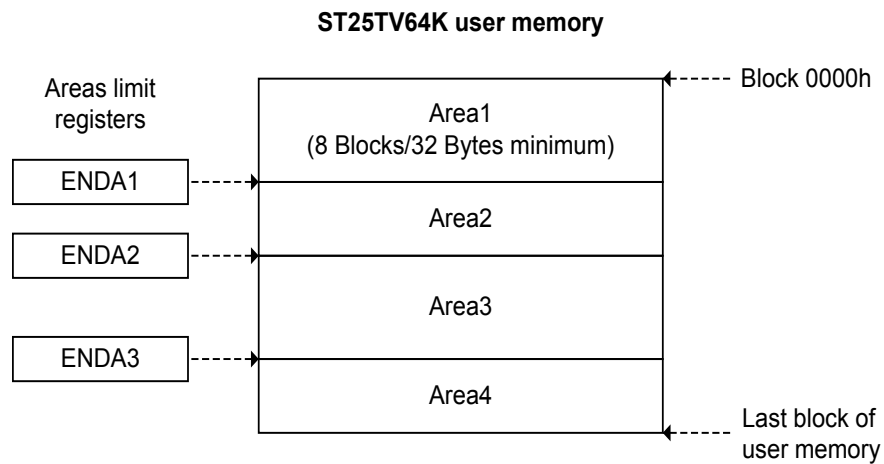
RF read and write commands are legal only within a same zone:

- A multiple read or a multiple write command is not executed and returns the error code 0Fh if addresses cross the area borders.

Each user memory area is defined by its ending block address ENDA<sub>i</sub>. The starting block address is defined by the end of the preceding area.

There are three ENDA<sub>i</sub> registers in the configuration system memory, used to define the end block addresses of Area 1, Area 2 and Area 3. The end of Area 4 is always the last block of memory and is not configurable.

**Figure 4. ST25TV16K/64K user memory areas**



On factory delivery all ENDA<sub>i</sub> are set to maximum value, only Area1 exists and includes the full user memory. A granularity of 8 Blocks (32 Bytes) is offered to code area ending points.

An area's end limit is coded as followed in ENDA<sub>i</sub> registers:

- Last block address of area =  $8 \times \text{ENDA}_i + 7 \Rightarrow \text{ENDA}_i = \text{int}(\text{Last Area}_i \text{ block address} / 8)$
- As a consequence, ENDA1 = 0 means size of Area 1 is 8 blocks (32 Bytes).

**Table 2. Maximum user memory block addresses and ENDA<sub>i</sub> value**

Device	Last user memory block address seen by RF	Maximum ENDA <sub>i</sub> value
ST25TV16K	01FFh	3Fh
ST25TV64K	07FFh	FFh

**Table 3. Areas and limit calculation from ENDA<sub>i</sub> registers**

Area	Seen from RF interface
Area 1	Block 0000h
	...
Area 2	Block (END A1*8)+7
	Block (END A1+1)*8
	...
Area 3	Block (END A2*8)+7
	Block (END A2+1)*8
	...
Area 4	Block (END A3*8)+7
	Block (END A3+1)*8
	...
	Last memory Block

Organization of user memory in areas have the following characteristics:

- At least one area exists (Area1), starting at Block address 0000h and finishing at ENDA1, with ENDA1 = ENDA2 = ENDA3 = End of user memory (factory setting).
- Two Areas could be defined by setting ENDA1 < ENDA2 = ENDA3 = End of user memory.
- Three Areas may be defined by setting ENDA1 < ENDA2 < ENDA3 = End of user memory.
- A maximum of four areas may be defined by setting ENDA1 < ENDA2 < ENDA3 < End of user memory.
- Area 1 specificities
  - Start of Area1 is always Block address 0000h.
  - Area1 minimum size is 8 Blocks (32 Bytes) when ENDA1 = 00h.
  - Area1 is always readable.
- The last area always finishes on the last user memory Block address (END A4 doesn't exist).
- All areas are contiguous: end of Area(n) + one Block address is always start of Area(n+1).

### Area size programming

RF user must first open the configuration security session to write ENDA<sub>i</sub> registers.

When programming an ENDA<sub>i</sub> register, the following rule must be respected:

- ENDA<sub>i-1</sub> < ENDA<sub>i</sub> ≤ ENDA<sub>i+1</sub> = FFh (End of user memory).

This means that prior to programming any ENDA<sub>i</sub> register, its successor (END A<sub>i+1</sub>) must first be programmed to the last Block of memory:

- Successful ENDA3 programming condition: ENDA2 < ENDA3 ≤ End of user memory.
- Successful ENDA2 programming condition: ENDA1 < ENDA2 ≤ ENDA3 = End of user memory.
- Successful ENDA1 programming condition: ENDA1 ≤ ENDA2 = ENDA 3 = End of user memory.

If this rule is not respected, an error 0Fh is returned, and programming is not done.

In order to respect this rule, the following procedure is recommended when programming Areas size (even for changing only one Area size):

1. Ends of Areas 3 and 2 must first be set to the end of memory while respecting the following order:
  - a. If ENDA3 ≠ end of user memory, then set ENDA3 = end of memory; else, do not write ENDA3.
  - b. If ENDA2 ≠ end of user memory, then set ENDA2 = end of memory; else, do not write ENDA2.
2. Then, desired area limits can be set respecting the following order:
  - a. Set new ENDA1 value.
  - b. Set new ENDA2 value, with ENDA2 > ENDA1



- c. Set new ENDA3 value, with ENDA3 > ENDA2

Example of successive user memory area setting (for a ST25TV64K):

1. Initial state, 2 Areas are defined:
  - a. ENDA1 = 10h (Last block of Area 1: (10h x 8) + 7 = 0087h)
  - b. ENDA2 = FFh (Last block of Area 2: (FFh x 8) + 7 = 07FFh)
  - c. ENDA3 = FFh (No Area 3)
    - Area 1 from Block 0000h to 0087h (136 Blocks)
    - Area 2 from Block 0088h to 07FFh (1912 Blocks)
    - There is no Area 3.
    - There is no Area 4.
2. Split of user memory in four areas:
  - a. ENDA3 is not updated as it is already set to end of memory.
  - b. ENDA2 is not updated as it is already set to end of memory.
  - c. Set ENDA1 = 3Fh (Last block of Area 1: (3Fh x 8) + 7 = 01FFh)
  - d. Set ENDA2 = 5Fh (Last block of Area 1: (5Fh x 8) + 7 = 02FFh)
  - e. Set ENDA3 = BFh (Last block of Area 1: (BFh x 8) + 7 = 05FFh)
    - Area1 from Block 0000h to 01FFh (512 Blocks)
    - Area2 from Block 0200h to 02FFh (256 Blocks)
    - Area3 from Block 0300h to 05FFh (768 Blocks)
    - Area4 from Block 0600h to 07FFh (512 Blocks).
3. Return to a split in two equal areas:
  - a. Set ENDA3 = FFh
  - b. Set ENDA2 = FFh
  - c. Set ENDA1 = 7Fh (Last block of Area 1: (7Fh x 8) + 7 = 03FFh)
    - Area1 from Block 0000h to 03FFh (1024 Blocks)
    - Area2 from Block 0400h to 07FFh (1024 Blocks)
    - There is no Area3.
    - There is no Area4.

Programming ENDA3 to FFh in step 2.a would have resulted in into an error, since rule ENDAi-1 < ENDAi would not been respected (ENDAA2 = ENDA3 in that case).

### Registers for user memory area configuration

**Table 4. ENDA1**

-	Command	Read Configuration (cmd code A0h) @05h Write Configuration (cmd code A1h) @05h	
	Type	R always, W if configuration security session is open and configuration not locked	
Bit	Name	Function	Factory Value
b7-b0	ENDA1	End Area 1 = 8*ENDA1+7 when expressed in blocks (RF)	ST25TV16K 3Fh ST25TV64K FFh

**Note:** Refer to [Table 7. System configuration memory map for the ENDA1 register.](#)

**Table 5. ENDA2**

-	Command	Read Configuration (cmd code A0h) @07h Write Configuration (cmd code A1h) @07h	
	Type	R always, W if configuration security session is open and configuration not locked	
Bit	Name	Function	Factory Value
b7-b0	ENDA2	End Area 2 = 8 x ENDA2 + 7 when expressed in blocks (RF)	ST25TV16K 3Fh ST25TV64K FFh

*Note:* Refer to [Table 7. System configuration memory map](#) for the ENDA2 register.

**Table 6. ENDA3**

-	Command	Read Configuration (cmd code A0h) @09h Write Configuration (cmd code A1h) @09h	
	Type	R always, W if configuration security session is open and configuration not locked	
Bit	Name	Function	Factory Value
b7-b0	ENDA3	End Area 3 = 8 x ENDA3 + 7 when expressed in blocks (RF)	ST25TV16K 3Fh ST25TV64K FFh

*Note:* Refer to [Table 7. System configuration memory map](#) for the ENDA3 register.

### 4.3 System configuration area

In addition to EEPROM user memory, ST25TV16K/64K includes a set of registers located in the system configuration area memory (EEPROM nonvolatile registers). Those registers are set during device configuration (i.e.: area extension), or by the application (i.e.: area protection). Registers content is read during the boot sequence and define basic ST25TV16K/64K behavior.

The registers located in the system configuration area can be accessed via dedicated Read Configuration and Write Configuration commands, with a pointer acting as the register address.

The configuration security session must first be open, by presenting a valid configuration password, to grant write access to system configuration registers.

[Table 7. System configuration memory map](#) shows the complete map of the system configuration area.

**Table 7. System configuration memory map**

RF access		Static Register	
Address	Type	Name	Function
03h	RW <sup>(1)</sup>	Table 8. KILL	Tag kill
04h	RW <sup>(1)</sup>	Table 9. A1SS	Area1 access protection
05h	RW <sup>(1)</sup>	Table 4. ENDA1	Area 1 ending point
06h	RW <sup>(1)</sup>	Table 10. A2SS	Area2 access protection
07h	RW <sup>(1)</sup>	Table 5. ENDA2	Area 2 ending point
08h	RW <sup>(1)</sup>	Table 11. A3SS	Area3 access protection
09h	RW <sup>(1)</sup>	Table 6. ENDA3	Area 3 ending point
0Ah	RW <sup>(1)</sup>	Table 12. A4SS	Area4 access protection
N/A	RW <sup>(2) (3)</sup>	Table 13. LOCK_CCFILE	Blocks 0 and 1 RF Write protection
0Fh	RW <sup>(1)</sup>	Table 14. LOCK_CFG	Protect Write to system configuration registers
N/A	WO <sup>(4)</sup>	Table 20. LOCK_DSFDID	DSFDID lock status
NA	WO <sup>(5)</sup>	Table 21. LOCK_AFI	AFI lock status
N/A	RW <sup>(4)</sup>	Table 22. DSFDID	DSFDID value
N/A	RW <sup>(5)</sup>	Table 23. AFI	AFI value
N/A	RO	Table 24. MEM_SIZE	Memory size value in blocks, 2 bytes
	RO	Table 25. BLK_SIZE	Block size value in bytes
N/A	RO	Table 26. IC_REF	IC reference value
NA	RO	Table 27. UID	Unique identifier, 8 bytes
N/A	WO <sup>(6)</sup>	Table 15. PWD_0	Configuration security session password, 8 bytes
N/A	WO <sup>(6)</sup>	Table 16. PWD_1	User security session password 1, 8 bytes
N/A	WO <sup>(6)</sup>	Table 17. PWD_2	User security session password 2, 8 bytes
N/A	WO <sup>(6)</sup>	Table 18. PWD_3	User security session password 3, 8 bytes

1. Write access is granted if RF configuration security session is open and configuration is not locked (LOCK\_CFG register equals to 0).
2. Write access to bit 0 if Block 00h is not already locked and to bit 1 if Block 01h is not already locked.
3. LOCK\_CCFILE content is only readable through reading the Block Security Status of blocks 00h and 001h (see [Section 5.2.3 User memory protection](#))
4. Write access if DSFDID is not locked
5. Write access if AFI is not locked.
6. Write access only if corresponding security session is open.

## 5 ST25TV16K/64K specific features

ST25TV16K/64K offers the data protection feature, both user memory and system configuration, and a kill mode. Those features can be programmed by setting registers of the ST25TV16K/64K. ST25TV16K/64K can be partially customized using configuration registers located in the EEPROM system area.

These registers are dedicated to:

- Data Memory organization and protection ENDA<sub>i</sub>, AiSS, LOCK\_CCFILE.
- Kill mode, KILL
- The device's structure LOCK\_CFG

A set of additional registers allows to identify and customize the product (DSFID, AFI, IC\_REF, etc.).

Dedicated commands Read Configuration and Write Configuration must be used to access the configuration registers. Update is only possible when the access right has been granted by presenting the configuration password (PWD\_0), and if the system configuration was not previously locked (LOCK\_CFG=1).

After any valid write access to the configuration registers, the new configuration is immediately applied.

### 5.1 Kill feature

#### 5.1.1 Kill register

Table 8. KILL

RF	Command	Read Configuration (cmd code A0h) @03h Write Configuration (cmd code A1h) @03h	
	Type	R always, W if RF configuration security session is open and configuration not locked	
Bit	Name	Function	Factory Value
b0	KILL_ERROR	0: RF commands executed 1: ST25TV16K/64K is killed but still answers commands with error 0Fh	0b
b1	KILL_MUTE	0: RF communication enabled 1: ST25TV16K/64K is killed and doesn't answer to any command	0b
b7-b2	RFU	-	000000b

Note: Refer to [Table 7. System configuration memory map for the KILL register](#).

#### 5.1.2 Kill mode description

KILL register allow the user to definitely kill the ST25TV16K/64K tag.

KILL register is composed of two bits (see [Table 8. KILL](#)): KILL\_ERROR and KILL\_MUTE. For a normal usage of RF interface, bits KILL\_MUTE and KILL\_ERROR must be set to 0.

Three working modes are offered for ST25TV16K/64K:

- Kill mute mode:
  - When KILL\_MUTE is set to 1, ST25TV16K/64K is killed. It can't be read or write and stay mute to any request. Kill mute mode is definitive.
- Kill error mode:
  - When KILL\_MUTE is set to 0 and KILL\_ERROR is set to 1, RF commands are interpreted but not executed. In case of a valid command, ST25TV16K/64K responds after t1 with the error code 0Fh. Inventory and Stay Quiet commands are not answered. Kill error mode is definitive
- Normal mode:

- In normal usage, KILL\_MUTE and KILL\_ERROR are set to 0, ST25TV16K/64K processes the request and respond accordingly.

## 5.2 Data Protection

ST25TV16K/64K provides a special data protection mechanism based on passwords that unlock security sessions.

User memory can be protected for read and/or write access and system configuration can be protected from write access.

### 5.2.1 Data protection registers

**Table 9. A1SS**

RF	Command	Read Configuration (cmd code A0h) @04h Write Configuration (cmd code A1h) @04h	
	Type	R always, W if configuration security session is open and configuration not locked	
Bit	Name	Function	Factory Value
b1-b0	PWD_CTRL_A1	00: Area 1 user security session can't be open by password 01: Area 1 user security session is open by PWD_1 10: Area 1 user security session is open by PWD_2 11: Area 1 user security session is open by PWD_3	00b
b3-b2	RW_PROTECTION_A1	00: Area 1 access: Read always allowed / Write always allowed 01: Area 1 access: Read always allowed, Write allowed if user security session is open 10: Area 1 access: Read always allowed, Write allowed if user security session is open 11: Area 1 access: Read always allowed, Write always forbidden	00b
b7-b4	RFU	-	0000b

*Note:* Refer to [Table 7. System configuration memory map for the A1SS register.](#)

**Table 10. A2SS**

-	Command	Read Configuration (cmd code A0h) @06h Write Configuration (cmd code A1h) @06h	
	Type	R always, W if configuration security session is open and configuration not locked	
Bit	Name	Function	Factory Value
b1-b0	PWD_CTRL_A2	00: Area 2 user security session can't be open by password 01: Area 2 user security session is open by PWD_1 10: Area 2 user security session is open by PWD_2 11: Area 2 user security session is open by PWD_3	00b
b3-b2	RW_PROTECTION_A2	00: Area 2 access: Read always allowed, Write always allowed 01: Area 2 access: Read always allowed, Write allowed if user security session is open 10: Area 2 access: Read allowed if user security session is open, Write allowed if RF user security session is open 11: Area 2 access: Read allowed if user security session is open, Write always forbidden.	00b
b7-b4	RFU	-	0000b

*Note:* Refer to [Table 7. System configuration memory map for the A2SS register.](#)

**Table 11. A3SS**

-	Command	Read Configuration (cmd code A0h) @08h Write Configuration (cmd code A1h) @08h	
	Type	R always, W if RF configuration security session is open and configuration not locked	
Bit	Name	Function	Factory Value
b1-b0	PWD_CTRL_A3	00: Area 3 user security session can't be open by password 01: Area 3 user security session is open by PWD_1 10: Area 3 user security session is open by PWD_2 11: Area 3 user security session is open by PWD_3	00b
b3-b2	RW_PROTECTION_A3	00: Area 3 access: Read always allowed / Write always allowed 01: Area 3 access: Read always allowed, Write allowed if user security session is open 10: Area 3 access: Read allowed if user security session is open, Write allowed if user security session is open 11: Area 3 access: Read allowed if user security session is open, Write always forbidden.	00b
b7-b4	RFU	-	0000b

*Note:* Refer to [Table 7. System configuration memory map for the A3SS register.](#)

**Table 12. A4SS**

RF	Command	Read Configuration (cmd code A0h) @0Ah Write Configuration (cmd code A1h) @0Ah	
	Type	R always, W if configuration security session is open and configuration not locked	
Bit	Name	Function	Factory Value
b1-b0	PWD_CTRL_A4	00: Area 4 user security session can't be open by password 01: Area 4 user security session is open by PWD_1 10: Area 4 user security session is open by PWD_2 11: Area 4 user security session is open by PWD_3	00b
b3-b2	RW_PROTECTION_A4	00: Area 4 access: Read always allowed, Write always allowed 01: Area 4 access: Read always allowed, Write allowed if user security session is open 10: Area 4 access: Read allowed if user security session is open, Write allowed if user security session is open 11: Area 4 access: Read allowed if user security session is open, Write always forbidden	00b
b7-b4	RFU	-	0000b

Note: Refer to [Table 7. System configuration memory map](#) for the A4SS register.

**Table 13. LOCK\_CCFILE**

-	Command	Lock Block (cmd code 22h) @00h/01h Ext Lock Block (cmd code 32h) @00h/01h Read Block (cmd code 20h) @00h/01h Fast Read Block <sup>(1)</sup> (cmd code C0h) @00h/01h Ext Read Block <sup>(1)</sup> (cmd code 30h) @00h/01h Fast Ext Read Block <sup>(1)</sup> (cmd code C4h) @00h/01h Read Multi Block <sup>(1)</sup> (cmd code 23h) @00h/01h Ext Read Multi Block <sup>(1)</sup> (cmd code 33h) @00h/01h Fast Read Multi Block <sup>(1)</sup> (cmd code C3h) @00h/01h Fast Ext Read Multi Block <sup>(1)</sup> (cmd code C5h) @00h/01h Get Multi Block SS (cmd code 2Ch) @00h/01h Ext Get Multi Block SS (cmd code 3Ch) @00h/01h	
	Type	R always b0: W if Block 00h is not already locked, b1: W if Block 01h is not already locked.	
Bit	Name	Function	Factory Value
b0	LCKBCK0	0: Block @ 00h is not Write locked 1: Block @ 00h is Write locked	0b
b1	LCKBCK1	0: Block @ 01h is not Write locked 1: Block @ 01h is Write locked	0b
b7-b2	RFU	-	000000b

1. With option flag set to 1.

Note: Refer to [Table 7. System configuration memory map](#) for the LOCK\_CCFILE register.

**Table 14. LOCK\_CFG**

-	Command	Read Configuration (cmd code A0h) @0Fh Write Configuration (cmd code A1h) @0Fh	
	Type	R always, W if configuration security session is open and configuration not locked	
Bit	Name	Function	Factory Value
b0	LCK_CFG	0: Configuration is unlocked 1: Configuration is locked	0b
b7-b1	RFU	-	0000000b

Note: Refer to [Table 7. System configuration memory map](#) for the LOCK\_CFG register.

**Table 15. PWD\_0**

-	Command	Present Password (cmd code B3h) Write Password (cmd code B1h)	
	Type	WO if configuration security session is open	
Bit	Name	Function	Factory Value
b7-b0	PWD_0	Byte 0 (LSB) of password for configuration security session	00h
b7-b0		Byte 1 of password for configuration security session	00h
b7-b0		Byte 2 of password for configuration security session	00h
b7-b0		Byte 3 of password for configuration security session	00h
b7-b0		Byte 4 of password for configuration security session	00h
b7-b0		Byte 5 of password for configuration security session	00h
b7-b0		Byte 6 of password for configuration security session	00h
b7-b0		Byte 7 (MSB) of password for configuration security session	00h

Note: Refer to [Table 7. System configuration memory map](#) for the PWD\_0 register.

**Table 16. PWD\_1**

-	Command	Present Password (cmd code B3h) Write Password (cmd code B1h)	
	Type	WO if configuration security session is open with password 1	
Bit	Name	Function	Factory Value
b7-b0	RF_PWD_1	Byte 0 (LSB) of password 1 for user security session	00h
b7-b0		Byte 1 of password 1 for user security session	00h
b7-b0		Byte 2 of password 1 for user security session	00h
b7-b0		Byte 3 of password 1 for user security session	00h
b7-b0		Byte 4 of password 1 for user security session	00h
b7-b0		Byte 5 of password 1 for user security session	00h
b7-b0		Byte 6 of password 1 for user security session	00h
b7-b0		Byte 7 (MSB) of password 1 for user security session	00h

Note: Refer to [Table 7. System configuration memory map](#) for the PWD\_1 register.



**Table 17. PWD\_2**

-	Command	Present Password (cmd code B3h) Write Password (cmd code B1h)	
	Type	WO if user security session is open with password 2	
Bit	Name	Function	Factory Value
b7-b0	PWD_2	Byte 0 (LSB) of password 2 for user security session	00h
b7-b0		Byte 1 of password 2 for user security session	00h
b7-b0		Byte 2 of password 2 for user security session	00h
b7-b0		Byte 3 of password 2 for user security session	00h
b7-b0		Byte 4 of password 2 for user security session	00h
b7-b0		Byte 5 of password 2 for user security session	00h
b7-b0		Byte 6 of password 2 for user security session	00h
b7-b0		Byte 7 (MSB) of password 2 for user security session	00h

*Note:* Refer to [Table 7. System configuration memory map](#) for the PWD\_2 register.

**Table 18. PWD\_3**

-	Command	Present Password (cmd code B3h) Write Password (cmd code B1h)	
	Type	WO if user security session is open with password 3	
Bit	Name	Function	Factory Value
b7-b0	PWD_3	Byte 0 (LSB) of password 3 for user security session	00h
b7-b0		Byte 1 of password 3 for user security session	00h
b7-b0		Byte 2 of password 3 for user security session	00h
b7-b0		Byte 3 of password 3 for user security session	00h
b7-b0		Byte 4 of password 3 for user security session	00h
b7-b0		Byte 5 of password 3 for user security session	00h
b7-b0		Byte 6 of password 3 for user security session	00h
b7-b0		Byte 7 (MSB) of password 3 for user security session	00h

*Note:* Refer to [Table 7. System configuration memory map](#) for the PWD\_3 register.

## 5.2.2 Passwords and security sessions

ST25TV16K/64K provides protection of user memory and system configuration registers. user and host can access those protected data by opening security sessions with the help of passwords. Access rights is more restricted when security sessions are closed, and less restricted when security sessions are open.

There is two types of security sessions, as shown in [Table 19. Security session type](#):

**Table 19. Security session type**

Security session	Open by presenting	Right granted when security session is open, and until it is closed
user	password 1, 2 or 3 (PWD_1, PWD_2, PWD_3)	user access to protected user memory as defined in A <sub>i</sub> SS registers user write access to password 1, 2 or 3
configuration	password 0 (PWD_0)	user write access to configuration registers user write access to password 0

1. Password number must be the same as the one selected for protection.
2. Write access to the password number corresponding to the password number presented.

All passwords are 64-bits long, and default factory passwords value is 0000000000000000h.

The ST25TV16K/64K passwords management is organized around dedicated set of commands to access the dedicated registers in system configuration area.

The dedicated password commands are:

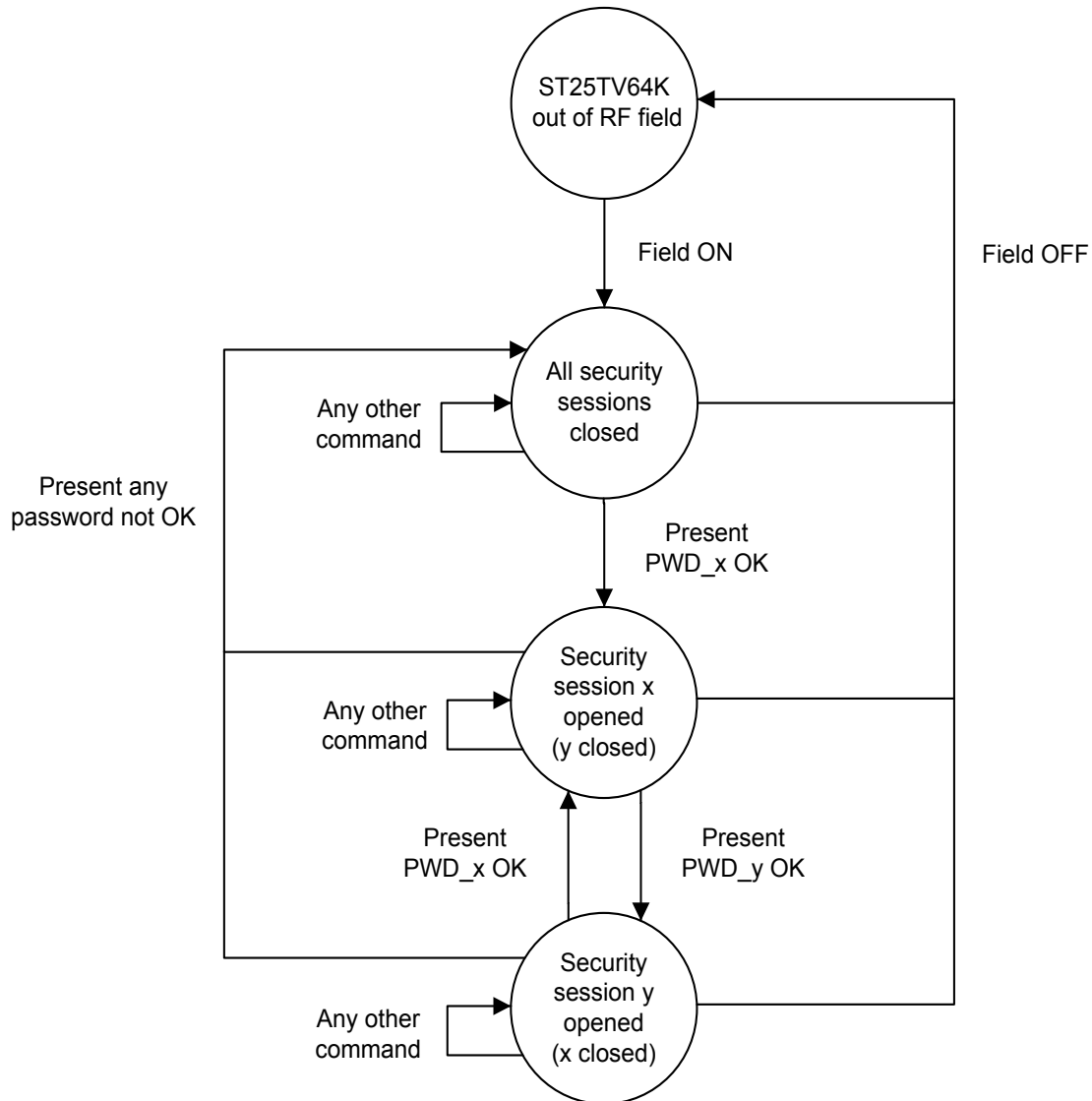
- Write Password command (code B1h): see [Section 6.4.28 Write Password](#).
- Present Password command (code B3h): see [Section 6.4.29 Present Password](#).

User possible actions for security sessions are:

- **Open user security session:** Present Password command, with password number 1, 2 or 3 and the valid corresponding password
- **Write password:** Present Password command, with password number (0, 1, 2 or 3) and the current valid corresponding password. Then Write Password command, with same password number (0, 1, 2 or 3) and the new corresponding password.
- **Close user security session:** Present Password command, with a different password number than the one used to open session or any wrong password. Or remove tag from RF field (POR).
- Presenting a password with an invalid password number doesn't close the session.
- **Open configuration security session:** Present Password command, with password number 0 and the valid password 0.
- **Close configuration security session:** Present Password command, with a password number different than 0, or password number 0 and wrong password 0. Or remove tag from field (POR).
- Presenting a password with an invalid password number doesn't close the session.

Opening any new security session (user or configuration) automatically close the previously open one (even if it fails).

**Caution:** To make the application more robust, it is recommended to use addressed or selected mode during write password operations to get the traceability of which tags/UID have been programmed

**Figure 5. Security sessions management**


### 5.2.3 User memory protection

On factory delivery, areas are not protected.

Each area can be individually protected in read and/or write access.

Area 1 is always readable.

Furthermore, blocks 0 and 1 can be independently write locked.

Each memory area of the ST25TV16K/64K can be individually protected by one out of three available passwords (password 1, 2 or 3), and each area can also have individual Read/Write access conditions.

For each area, an AiSS register is used to:

- Select the password that unlock the user security session for this area
- Select the protection against read and write operations for this area

(See [Table 9. A1SS](#), [Table 10. A2SS](#), [Table 11. A3SS](#) and [Table 12. A4SS](#) for details about available read and write protections).

*Note:* Setting 00b in PWD\_CTRL\_A<sub>i</sub> field means that user security session cannot be open by any password for the corresponding area.

When updating AiSS registers, the new protection value is effective immediately after the register write completion.

- blocks 0 and 1 are exceptions to this protection mechanism:
  - Blocks 0 and 1 can be individually write locked by issuing a (Ext) Lock Single Block command. Once locked, they cannot be unlock. LOCK\_CCFILE register is automatically updated when using (Ext) Lock Single Block command.
  - User needs no password to lock blocks 0 and/or 1.
  - Locking blocks 0 and/or 1 is possible even if the configuration is locked (LOCK\_CFG=1).
  - Locking blocks 0 and/or 1 is possible even if the area is write locked.
  - Unlocking area1 (through A1SS register) does not unlock blocks 0 and 1 if they have been locked though (Ext) Lock Block command.
  - Once locked, the user cannot unlock blocks 0 and/or 1.

*Note:* When areas size are modified (ENDAI registers), AiSS registers are not modified.

#### **Retrieve the security status of a user memory block or byte**

User can read a block security status by issuing following commands:

- (Ext) Get Multiple Blocks Security Status command
- (Ext) (Fast) Read Single Block with option flag set to 1
- (Ext) (Fast) Read Multiple Blocks with option flag set to 1

ST25TV16K/64K responds with a Block security status containing a Lock\_bit flag as specified in ISO 15693 standard. This lock\_bit flag is set to 1 if block is locked against write.

Lock\_bit flag value may vary if corresponding user security session is open or closed.

## **5.2.4 System memory protection**

By default, the system memory is write protected.

To enable write access to system configuration registers, user must open the configuration security session (by presenting a valid password 0) and system configuration must not be locked (LOCK\_CFG=00h).

By default, user can read all system configuration registers, except all passwords, LOCK\_CCFILE, LOCK\_DSFID and LOCK\_AFI.

Configuration lock:

- Write access to system configuration registers can be locked by writing 01h in the LOCK\_CFG register.
- User cannot unlock system configuration if LOCK\_CFG=01h, even after opening configuration security session (Lock is definitive).
- When system configuration is locked (LOCK\_CFG=01h), it is still possible to change passwords (0 to 3).

Device identification registers:

- AFI and DFSID registers can be independently locked by user, issuing respectively a Lock AFI and a Lock DSFID command. Lock is definitive: once locked, AFI and DSFID registers cannot be unlocked (either by RF or I2C). System configuration locking mechanism (LOCK\_CFG=01h) does not lock AFI and DSFID registers.
- Other device identification registers (MEM\_SIZE, BLK\_SIZE, IC\_REF, UID) are read only registers.

### 5.3 Device Parameter Registers

**Table 20. LOCK\_DSFD**

Bit	Command	Lock DSFD (cmd code 2Ah)	
	Type	WO if DSFD not locked	
	Name	Function	Factory Value
b0	LOCK_DSFD	0: DSFD is not locked 1: DSFD is locked	0b
b7-b1	RFU	-	0000000b

*Note:* Refer to [Table 7. System configuration memory map](#) for the LOCK\_DSFD register.

**Table 21. LOCK\_AFI**

Bit	Command	Lock AFI (cmd code 28h)	
	Type	WO if AFI not locked	
	Name	Function	Factory Value
b0	LOCK_AFI	0: AFI is not locked 1: AFI is locked	0b
b7-b1	RFU	-	0000000b

*Note:* Refer to [Table 7. System configuration memory map](#) for the LOCK\_AFI register.

**Table 22. DSFD**

Bit	Command	Inventory (cmd code 01h) Get System Info (cmd code 2Bh) Ext Get System Info (cmd code 3Bh) Write DSFD (cmd code 28h)	
	Type	R always, W if DSFD not locked	
	Name	Function	Factory Value
b7-b0	DSFD	ISO/IEC 15693 Data Storage Format Identifier	00h

*Note:* Refer to [Table 7. System configuration memory map](#) for the DSFD register.

**Table 23. AFI**

Bit	Command	Inventory (cmd code 01h) Get System Info (cmd code 2Bh) Ext Get System Info (cmd code 3Bh) Write AFI (cmd code 27h)	
	Type	R always, W if AFI not locked	
	Name	Function	Factory Value
b7-b0	AFI	ISO/IEC 15693 Application Family Identifier	00h

*Note:* Refer to [Table 7. System configuration memory map for the AFI register.](#)

**Table 24. MEM\_SIZE**

Bit	Command	Ext Get System Info (cmd code 3Bh)	
	Type	RO	
	Name	Function	Factory Value
b7-b0	MEM_SIZE	LSB byte of the memory size expressed in blocks	FFh
b7-b0		MSB byte of the memory size expressed in blocks	01h 07h

*Note:* Refer to [Table 7. System configuration memory map for the MEM\\_SIZE register.](#)

**Table 25. BLK\_SIZE**

Bit	Command	Ext Get System Info (cmd code 3Bh)	
	Type	RO	
	Name	Function	Factory Value
b7-b0	BLK_SIZE	user memory block size	03h

*Note:* Refer to [Table 7. System configuration memory map for the BLK\\_SIZE register.](#)

**Table 26. IC\_REF**

Bit	Command	Get System Info (cmd code 2Bh) Ext Get System Info (cmd code 3Bh)	
	Type	RO	
	Name	Function	Factory Value
b7-b0	IC_REF	ISO/IEC 15693 IC Reference	48h

*Note:* Refer to [Table 7. System configuration memory map for the IC\\_REF register.](#)

**Table 27. UID**

Bit	Command	Inventory (cmd code 01h) Get System Info (cmd code 2Bh) Ext Get System Info (cmd code 3Bh)	
	Type	RO	
	Name	Function	Factory Value
b7-b0	UID	ISO/IEC 15693 UID byte 0 (LSB)	IC manufacturer serial number
b7-b0		ISO/IEC 15693 UID byte 1	
b7-b0		ISO/IEC 15693 UID byte 2	
b7-b0		ISO/IEC 15693 UID byte 3	
b7-b0		ISO/IEC 15693 UID byte 4	
b7-b0		ISO/IEC 15693 UID byte 5: ST Product code	48h
b7-b0		ISO/IEC 15693 UID byte 6: IC Mfg code	02h
b7-b0		ISO/IEC 15693 UID byte 7 (MSB)	E0h

*Note:* Refer to [Table 7. System configuration memory map](#) for the UID register.

## 6 RF Operations

Contactless exchanges are performed as specified by ISO/IEC 15693 or NFC Forum Type 5. The ST25TV16K/64K communicates via the 13.56 MHz carrier electromagnetic wave on which incoming data are demodulated from the received signal amplitude modulation (ASK: amplitude shift keying). The received ASK wave is 10% or 100% modulated with a data rate of 1.6 Kbit/s using the 1/256 pulse coding mode or a data rate of 26 Kbit/s using the 1/4 pulse coding mode.

Outgoing data are generated by the ST25TV16K/64K load variation using Manchester coding with one or two subcarrier frequencies at 423 kHz and 484 kHz. Data are transferred from the ST25TV16K/64K at 6.6 Kbit/s in low data rate mode and 26 Kbit/s in high data rate mode. The ST25TV16K/64K supports the 53 Kbit/s in high data rate mode in one sub-carrier frequency at 423 kHz.

The ST25TV16K/64K follows ISO/IEC 15693 or NFC Forum Type 5 recommendation for radio-frequency power and signal interface and for anticollision and transmission protocol.

### 6.1 RF communication

#### 6.1.1 Access to a ISO/IEC 15693 device

**The dialog between the “reader” and the ST25TV16K/64K takes place as follows:**

These operations use the power transfer and communication signal interface described below (see Power transfer, Frequency and Operating field). This technique is called RTF (Reader talk first).

- Activation of the ST25TV16K/64K by the operating field of the reader,
- Transmission of a command by the reader (ST25TV16K/64K detects carrier amplitude modulation)
- Transmission of a response by the ST25TV16K/64K (ST25TV16K/64K modulates its load clocked at subcarrier rate)

#### **Operating field**

The ST25TV16K/64K operates continuously between the minimum and maximum values of the electromagnetic field  $H$  defined in [Table 146. RF characteristics](#). The Reader has to generate a field within these limits.

#### **Power transfer**

Power is transferred to the ST25TV16K/64K by radio frequency at 13.56 MHz via coupling antennas in the ST25TV16K/64K and the Reader. The operating field of the reader is transformed on the ST25TV16K/64K antenna to an AC voltage which is rectified, filtered and internally regulated. During communications, the amplitude modulation (ASK) on this received signal is demodulated by the ASK demodulator.

#### **Frequency**

The ISO 15693 standard defines the carrier frequency ( $f_C$ ) of the operating field as 13.56 MHz  $\pm$  7 kHz.

### 6.2 RF protocol description

#### 6.2.1 Protocol description

The transmission protocol (or simply “the protocol”) defines the mechanism used to exchange instructions and data between the VCD (Vicinity Coupling Device) and the VICC (Vicinity integrated circuit card) in both directions. It is based on the concept of “VCD talks first”. The ST25TV16K/64K acts as the VICC.

This means that a ST25TV16K/64K does not start transmitting unless it has received and properly decoded an instruction sent by the VCD. The protocol is based on an exchange of:

- a request from the VCD to the ST25TV16K/64K,
- a response from the ST25TV16K/64K to the VCD.

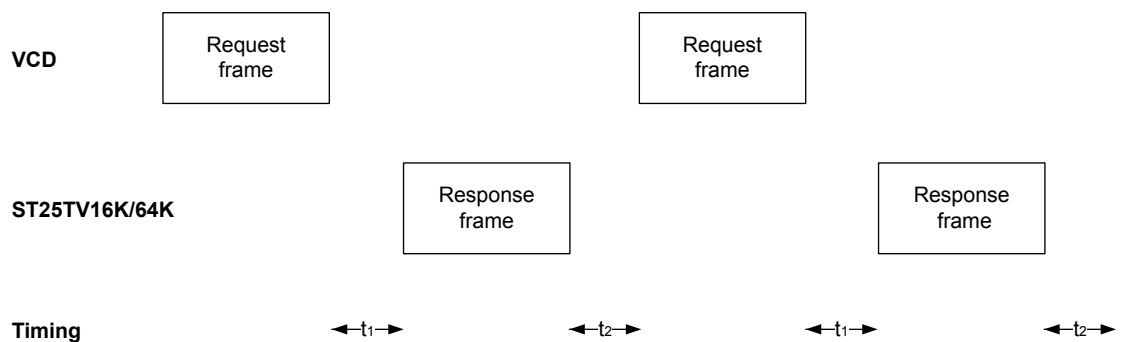


Each request and each response are contained in a frame. The frames are delimited by a Start of Frame (SOF) and End of Frame (EOF).

The protocol is bit-oriented. The number of bits transmitted in a frame is a multiple of eight (8), that is an integer number of bytes.

A single-byte field is transmitted least significant bit (LSBit) first. A multiple-byte field is transmitted least significant byte (LSByte) first and each byte is transmitted least significant bit (LSBit) first.

**Figure 6. ST25TV16K/64K protocol timing**



### 6.2.2 ST25TV16K/64K states referring to protocol

The ST25TV16K/64K can be in one of four states:

- Power-off
- Ready
- Quiet
- Selected

Transitions between these states are specified in [Figure 7. ST25TV16K/64K state transition diagram](#) and [Table 28. response depending on Request\\_flags](#).

#### Power-off state

The ST25TV16K/64K is in the power-off state when it does not receive enough energy from the VCD.

#### Ready state

The ST25TV16K/64K is in the Ready state when it receives enough energy from the VCD. When in the Ready state, the ST25TV16K/64K answers any request where the `Select_flag` is not set.

#### Quiet state

When in the Quiet state, the ST25TV16K/64K answers any request with the `Address_flag` set, except for Inventory requests.

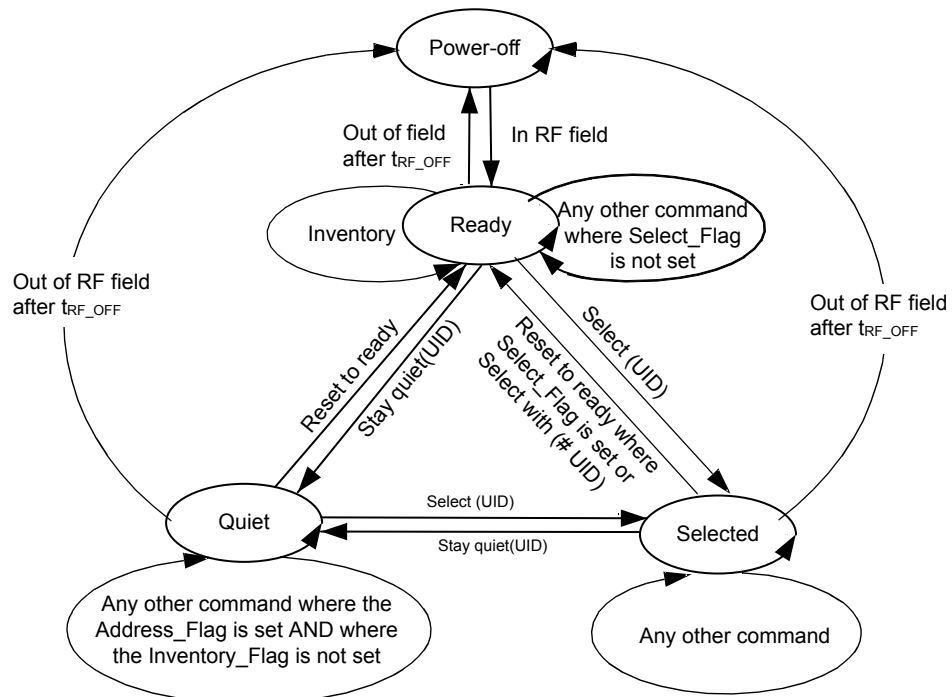
#### Selected state

In the Selected state, the ST25TV16K/64K answers any request in all modes (see [Section 6.2.3 Modes](#)):

- Request in Select mode with the `Select_flag` set
- Request in Addressed mode if the UID matches
- Request in Non-Addressed mode as it is the mode for general requests

**Table 28. response depending on Request\_flags**

Flags	Address_flag		Select_flag	
	1 Addressed	0 Non addressed	1 Selected	0 Non selected
ST25TV16K/64K in Ready or Selected state (Devices in Quiet state do not answer)	-	X	-	X
ST25TV16K/64K in Selected state	-	X	X	-
ST25TV16K/64K in Ready, Quiet or Selected state (the device which matches the UID)	X	-	-	X
Error (03h) or no response (command dependent)	X	-	X	-

**Figure 7. ST25TV16K/64K state transition diagram**


- The ST25TV16K/64K returns to the Power Off state if the tag is out of the field for at least  $t_{RF\_OFF}$ . The intention of the state transition method is that only one ST25TV16K/64K should be in the Selected state at a time.  
When the Select\_flag is set to 1, the request shall NOT contain a unique ID.  
When the address\_flag is set to 0, the request shall NOT contain a unique ID.

### 6.2.3 Modes

The term “mode” refers to the mechanism used in a request to specify the set of ST25TV16K/64K devices that shall execute the request.

#### Addressed mode

When the Address\_flag is set to 1 (Addressed mode), the request contains the Unique ID (UID) of the addressed ST25TV16K/64K.

Any ST25TV16K/64K that receives a request with the Address\_flag set to 1 compares the received Unique ID to its own. If it matches, then the ST25TV16K/64K executes the request (if possible) and returns a response to the VCD as specified in the command description.

If the UID does not match, then it remains silent.

#### Non-addressed mode (general request)

When the Address\_flag is cleared to 0 (Non-Addressed mode), the request does not contain a Unique ID.

#### Select mode

When the Select\_flag is set to 1 (Select mode), the request does not contain a unique ID. The ST25TV16K/64K in the Selected state that receives a request with the Select\_flag set to 1 executes it and returns a response to the VCD as specified in the command description.

Only the ST25TV16K/64K in the Selected state answers a request where the Select\_flag is set to 1.

The system design ensures that only one ST25TV16K/64K can be in the Select state at a time.

### 6.2.4 Request format

The request consists of:

- an SOF
- flags
- a command code
- parameters and data
- a CRC
- an EOF

**Table 29. General request format**

SOF	Request_flags	Command code	Parameters	Data	2 byte CRC	EOF
-----	---------------	--------------	------------	------	------------	-----

### 6.2.5 Request flags

In a request, the “flags” field specifies the actions to be performed by the ST25TV16K/64K and whether corresponding fields are present or not.

The flags field consists of eight bits. Bit 3 (Inventory\_flag) of the request flag defines the contents of the four MSBs (bits 5 to 8). When bit 3 is reset (0), bits 5 to 8 define the ST25TV16K/64K selection criteria. When bit 3 is set (1), bits 5 to 8 define the ST25TV16K/64K Inventory parameters.

**Table 30. Definition of request flags 1 to 4**

Bit No	Flag	Level	Description
Bit 1	Subcarrier_flag <sup>(1)</sup>	0	A single subcarrier frequency is used by the ST25TV16K/64K
		1	Two subcarriers are used by the ST25TV16K/64K
Bit 2	Data_rate_flag <sup>(2)</sup>	0	Low data rate is used
		1	High data rate is used
Bit 3	Inventory_flag	0	The meaning of flags 5 to 8 is described in <a href="#">Table 31. Request flags 5 to 8 when inventory_flag, Bit 3 = 0</a>
		1	The meaning of flags 5 to 8 is described in <a href="#">Table 32. Request flags 5 to 8 when inventory_flag, Bit 3 = 1</a>
Bit 4	Protocol_extension_flag	0	No Protocol format extension
		1	Protocol format extension. Reserved for future use.

1. Subcarrier\_flag refers to the ST25TV16K/64K-to-VCD communication.

2. Data\_rate\_flag refers to the ST25TV16K/64K-to-VCD communication.

**Table 31. Request flags 5 to 8 when inventory\_flag, Bit 3 = 0**

Bit nb	Flag	Level	Description
Bit 5	Select flag <sup>(1)</sup>	0	The request is executed by any ST25TV16K/64K according to the setting of Address_flag
		1	The request is executed only by the ST25TV16K/64K in Selected state
Bit 6	Address flag	0	The request is not addressed. UID field is not present. The request is executed by all ST25TV16K/64Ks.
		1	The request is addressed. UID field is present. The request is executed only by the ST25TV16K/64K whose UID matches the UID specified in the request.
Bit 7	Option flag	0	Option not activated.
		1	Option activated.
Bit 8	RFU	0	-

1. If the Select\_flag is set to 1, the Address\_flag is set to 0 and the UID field is not present in the request.

**Table 32. Request flags 5 to 8 when inventory\_flag, Bit 3 = 1**

Bit nb	Flag	Level	Description
Bit 5	AFI flag	0	AFI field is not present
		1	AFI field is present
Bit 6	Nb_slots flag	0	16 slots
		1	1 slot
Bit 7	Option flag	0	-
Bit 8	RFU	0	-

## 6.2.6

### Response format

The response consists of:

- an SOF
- flags
- parameters and data
- a CRC
- an EOF

**Table 33. General response format**

SOF	Response_flags	Parameters	Data	2 byte CRC	EOF
-----	----------------	------------	------	------------	-----

### 6.2.7 Response flags

In a response, the flags indicate how actions have been performed by the ST25TV16K/64K and whether corresponding fields are present or not. The response flags consist of eight bits.

**Table 34. Definitions of response flags 1 to 8**

Bit Nb	Flag	Level	Description
Bit 1	Error_flag	0	No error
		1	Error detected. Error code is in the "Error" field.
Bit 2	RFU	0	-
Bit 3	RFU	0	-
Bit 4	Extension flag	0	No extension
Bit 5	RFU	0	-
Bit 6	RFU	0	-
Bit 7	RFU	0	-
Bit 8	RFU	0	-

### 6.2.8 Response and error code

If the Error\_flag is set by the ST25TV16K/64K in the response, the Error code field is present and provides information about the error that occurred.

Error codes not specified in [Table 35. Response error code definition](#) are reserved for future use.

**Table 35. Response error code definition**

Error code	Meaning
01h	Command is not supported.
02h	Command is not recognized (format error).
03h	The option is not supported.
0Fh	Error with no information given.
10h	The specified block is not available.
11h	The specified block is already locked and thus cannot be locked again.
12h	The specified block is locked and its contents cannot be changed.
13h	The specified block was not successfully programmed.
14h	The specified block was not successfully locked.
15h	The specified block is protected in read.
No response	It might indicate illegal programming

### 6.3 Timing definition

#### **t<sub>1</sub>: ST25TV16K/64K response delay**

Upon detection of the rising edge of the EOF received from the VCD, the ST25TV16K/64K waits for a  $t_{1nom}$  time before transmitting its response to a VCD request or switching to the next slot during an inventory process. Values of  $t_1$  are given in [Table 36. Timing values](#).

#### **t<sub>2</sub>: VCD new request delay**

$t_2$  is the time after which the VCD may send an EOF to switch to the next slot when one or more ST25TV16K/64K responses have been received during an Inventory command. It starts from the reception of the EOF from the ST25TV16K/64Ks.

The EOF sent by the VCD may be either 10% or 100% modulated regardless of the modulation index used for transmitting the VCD request to the ST25TV16K/64K.

$t_2$  is also the time after which the VCD may send a new request to the ST25TV16K/64K, as described in [Figure 6. ST25TV16K/64K protocol timing](#).

Values of  $t_2$  are given in [Table 36. Timing values](#).

#### **t<sub>3</sub>: VCD new request delay when no response is received from the ST25TV16K/64K**

$t_3$  is the time after which the VCD may send an EOF to switch to the next slot when no ST25TV16K/64K response has been received.

The EOF sent by the VCD may be either 10% or 100% modulated regardless of the modulation index used for transmitting the VCD request to the ST25TV16K/64K.

From the time the VCD has generated the rising edge of an EOF:

- If this EOF is 100% modulated, the VCD waits for a time at least equal to  $t_{3min}$  for 100% modulation before sending a new EOF.
- If this EOF is 10% modulated, the VCD waits for a time at least equal to  $t_{3min}$  for 10% modulation before sending a new EOF.

**Table 36. Timing values**

	Minimum (min) values		Nominal (nom) values	Maximum (max) values
	100% modulation	10% modulation		
$t_1$	4320 / $f_c$ = 318.6 $\mu$ s		4352 / $f_c$ = 320.9 $\mu$ s	4384 / $f_c$ = 323.3 $\mu$ s <sup>(1)</sup>
$t_2$	4192 / $f_c$ = 309.2 $\mu$ s		No $t_{nom}$	No $t_{max}$
$t_3$	$t_{1max}^{(2)} + t_{SOF}^{(3)}$	$t_{1max}^{(2)} + t_{NRT}^{(4)} + t_{2min}$	No $t_{nom}$	No $t_{max}$

1. VCD request will not be interpreted during the first milliseconds following the field rising.
2.  $t_{1max}$  does not apply for write-alike requests. Timing conditions for write-alike requests are defined in the command description.
3.  $t_{SOF}$  is the time taken by the ST25TV16K/64K to transmit an SOF to the VCD.  $t_{SOF}$  depends on the current data rate: High data rate or Low data rate.
4.  $t_{NRT}$  is the nominal response time of the ST25TV16K/64K.  $t_{NRT}$  depends on VICC to ST25TV16K/64K data rate and subcarrier modulation mode.

**Note:** The tolerance of specific timing is  $\pm 32/f_c$ .

## 6.4 RF Commands

### 6.4.1 RF command code list

The ST25TV16K/64K supports the following legacy and extended RF command set:

- **Inventory**, used to perform the anticollision sequence.
- **Stay Quiet**, used to put the ST25TV16K/64K in quiet mode, where it does not respond to any inventory command.
- **Select**, used to select the ST25TV16K/64K. After this command, the ST25TV16K/64K processes all Read/Write commands with Select\_flag set.
- **Reset To Ready**, used to put the ST25TV16K/64K in the ready state.
- **Read Single Block** and **Extended Read Single Block**, used to output the 32 bit of the selected block and its locking status.
- **Write Single Block** and **Extended Write Single Block**, used to write and verify the new content for an update of a 32 bit block, provided that it is not in a locked memory area.
- **Read Multiple Blocks** and **Extended Read Multiple Block**, used to read the selected blocks in a unique area, and send back their value.
- **Write Multiple Blocks** and **Extended Write Multiple Block**, used to write and verify the new content for an update of up to 4 blocks located in the same memory area, which was not previously locked for writing.
- **Write AFI**, used to write the 8-bit value in the AFI register.
- **Lock AFI**, used to lock the AFI register.
- **Write DSFID**, used to write the 8-bit value in the DSFID register.
- **Lock DSFID**, used to lock the DSFID register.
- **Get System information**, used to provide the standard system information values.
- **Extended Get System Information**, used to provide the extended system information values.
- **Write Password**, used to update the 64 bit of the selected areas or configuration password, but only after presenting the current one.
- **Lock Block** and **Extended Lock block**, used to write the CC file blocks security status bits (Protect the CC File content against writing).
- **Present Password**, enables the user to present a password to open a security session.
- **Fast Read Single Block** and **Fast Extended Read Single Block**, used to output the 32 bits of the selected block and its locking status at doubled data rate.
- **Fast Read Multiple Blocks** and **Fast Extended Read Multiple Blocks**, used to read the selected blocks in a single area and send back their value at doubled data rate.
- **Read Configuration**, used to read static configuration registers.
- **Write Configuration**, used to write static configuration registers.
- **Get multiple block security status**, and **Extended Get multiple block security** status used to send the security status of the selected block.

## 6.4.2 Command codes list

The ST25TV16K/64K supports the commands described in this section. Their codes are given in [Table 37. Command codes](#).

**Table 37. Command codes**

Command code standard	Function	Command code custom	Function
01h	<a href="#">Section 6.4.4 Inventory</a>	A0h	<a href="#">Section 6.4.26 Read Configuration</a>
02h	<a href="#">Section 6.4.5 Stay Quiet</a>	A1h	<a href="#">Section 6.4.27 Write Configuration</a>
20h	<a href="#">Section 6.4.6 Read Single Block</a>	B1h	<a href="#">Section 6.4.28 Write Password</a>
21h	<a href="#">Section 6.4.8 Write Single Block</a>	B3h	<a href="#">Section 6.4.29 Present Password</a>
22h	<a href="#">Section 6.4.10 Lock block</a>	C0h	<a href="#">Section 6.4.30 Fast Read Single Block</a>
23h	<a href="#">Section 6.4.12 Read Multiple Blocks</a>	C3h	<a href="#">Section 6.4.32 Fast Read Multiple Blocks</a>
24h	<a href="#">Section 6.4.14 Write Multiple Blocks</a>	C4h	<a href="#">Section 6.4.31 Fast Extended Read Single Block</a>
25h	<a href="#">Section 6.4.16 Select</a>	C5h	<a href="#">Section 6.4.33 Fast Extended Read Multiple Block</a>
26h	<a href="#">Section 6.4.17 Reset to Ready</a>		
27h	<a href="#">Section 6.4.18 Write AFI</a>		
28h	<a href="#">Section 6.4.19 Lock AFI</a>		
29h	<a href="#">Section 6.4.20 Write DSFID</a>		
2Ah	<a href="#">Section 6.4.21 Lock DSFID</a>		
2Bh	<a href="#">Section 6.4.22 Get System Info</a>		
2Ch	<a href="#">Section 6.4.24 Get Multiple Block Security Status</a>		
30h	<a href="#">Section 6.4.7 Extended Read Single Block</a>		
31h	<a href="#">Section 6.4.9 Extended Write Single Block</a>		
32h	<a href="#">Section 6.4.11 Extended Lock block</a>		
33h	<a href="#">Section 6.4.13 Extended Read Multiple Blocks</a>		
34h	<a href="#">Section 6.4.15 Extended Write Multiple Blocks</a>		
3Bh	<a href="#">Section 6.4.23 Extended Get System Info</a>		
3Ch	<a href="#">Section 6.4.25 Extended Get Multiple Block Security Status</a>		

## 6.4.3 General Command Rules

In case of a valid command, the following paragraphs will describe the expected behavior for each command. But in case of an invalid command, in a general manner, the ST25TV16K/64K will behave as follows:

1. If flag usage is incorrect, the error code 03h will be issued only if the right UID is used in the command, otherwise no response will be issued.
2. The error code 02h will be issued if the custom command is used with the manufacturer code different from the ST one



#### 6.4.4 Inventory

Upon receiving the Inventory request, the ST25TV16K/64K runs the anticollision sequence. The Inventory\_flag is set to 1. The meaning of flags 5 to 8 is shown in Table 32. Request flags 5 to 8 when inventory\_flag, Bit 3 = 1.

The request contains:

- the flags
- the Inventory command code (001)
- the AFI if the AFI flag is set
- the mask length
- the mask value if mask length is different from 0
- the CRC

The ST25TV16K/64K does not generate any answer in case of error.

**Table 38. Inventory request format**

Request SOF	Request_flags	Inventory	Optional AFI	Mask length	Mask value	CRC16	Request EOF
-	8 bits	01h	8 bits	8 bits	0 - 64 bits	16 bits	-

The response contains:

- the flags
- the Unique ID

**Table 39. Inventory response format**

Response SOF	Response_flags	DSFID	UID	CRC16	Response EOF
-	8 bits	8 bits	64 bits	16 bits	-

During an Inventory process, if the VCD does not receive an RF ST25TV16K/64K response, it waits for a time  $t_3$  before sending an EOF to switch to the next slot.  $t_3$  starts from the rising edge of the request EOF sent by the VCD.

- If the VCD sends a 100% modulated EOF, the minimum value of  $t_3$  is:
- $t_{3min} = 4384/f_C (323.3\mu s) + t_{SOF}$
- If the VCD sends a 10% modulated EOF, the minimum value of  $t_3$  is:
- $t_{3min} = 4384/f_C (323.3\mu s) + t_{NRT} + t_{2min}$

where:

- $t_{SOF}$  is the time required by the ST25TV16K/64K to transmit an SOF to the VCD,
- $t_{NRT}$  is the nominal response time of the ST25TV16K/64K.

$t_{NRT}$  and  $t_{SOF}$  are dependent on the ST25TV16K/64K-to-VCD data rate and subcarrier modulation mode.

*Note:* In case of error, no response is sent by ST25TV16K/64K.

#### 6.4.5 Stay Quiet

On receiving the Stay Quiet command, the ST25TV16K/64K enters the Quiet state if no error occurs, and does NOT send back a response. There is NO response to the Stay Quiet command even if an error occurs.

The Option\_flag is not supported. The Inventory\_flag must be set to 0.

When in the Quiet state:

- the ST25TV16K/64K does not process any request if the Inventory\_flag is set,
- the ST25TV16K/64K processes any Addressed request.

The ST25TV16K/64K exits the Quiet state when:

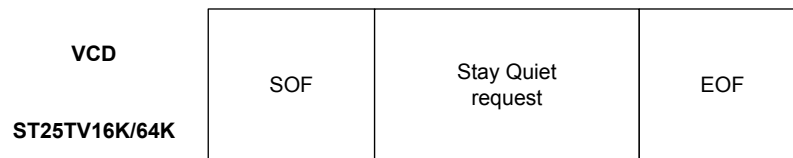
- it is reset (power off),
- receiving a Select request. It then goes to the Selected state,
- receiving a Reset to Ready request. It then goes to the Ready state.

**Table 40. Stay Quiet request format**

Request SOF	Request flags	Stay Quiet	UID	CRC16	Request EOF
-	8 bits	02h	64 bits	16 bits	-

The Stay Quiet command must always be executed in Addressed mode (Select\_flag is reset to 0 and Address\_flag is set to 1).

**Figure 8. Stay Quiet frame exchange between VCD and ST25TV16K/64K**



### 6.4.6 Read Single Block

On receiving the Read Single Block command, the ST25TV16K/64K reads the requested block and sends back its 32-bit value in the response. The Option\_flag is supported, when set response include the Block Security Status.

The Inventory\_flag must be set to 0.

Block number is coded on 1 Byte and only first 256 blocks of ST25TV16K/64K can be addressed using this command.

**Table 41. Read Single Block request format**

Request SOF	Request_flags	Read Single Block	UID <sup>(1)</sup>	Block number	CRC16	Request EOF
-	8 bits	20h	64 bits	8 bits	16 bits	-

1. This field is optional.

Request parameters:

- Request flags
- UID (optional)
- Block number (from LSB byte to MSB byte)

**Table 42. Read Single Block response format when Error\_flag is NOT set**

Response SOF	Response_flags	Block security status <sup>(1)</sup>	Data	CRC16	Response EOF
-	8 bits	8 bits	32 bits	16 bits	-

1. This field is optional.

Response parameters:

- Block security status if Option\_flag is set (see [Table 43. Block security status](#))

- Four bytes of block data

**Table 43. Block security status**

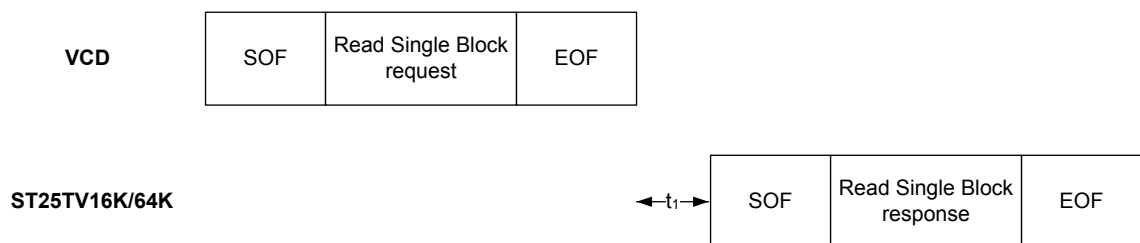
b <sub>7</sub>	b <sub>6</sub>	b <sub>5</sub>	b <sub>4</sub>	b <sub>3</sub>	b <sub>2</sub>	b <sub>1</sub>	b <sub>0</sub>
Reserved for future use. All at 0.							0: Current block not locked 1: Current block locked

**Table 44. Read Single Block response format when Error\_flag is set**

Response SOF	Response_flags	Error code	CRC16	Response EOF
-	8 bits	8 bits	16 bits	-

Response parameter:

- Error code as Error\_flag is set
  - 03h: command option not supported
  - 0Fh: error with no information
  - 10h: the specified block is not available
  - 15h: the specified block is read-protected

**Figure 9. Read Single Block frame exchange between VCD and ST25TV16K/64K**


### 6.4.7 Extended Read Single Block

On receiving the Extended Read Single Block command, the ST25TV16K/64K reads the requested block and sends back its 32-bit value in the response.

The Inventory\_flag must be set to 0.

When the Option\_flag is set, the response includes the Block Security Status.

Block number is coded on 2 Bytes so all memory blocks of ST25TV16K/64K can be addressed using this command.

**Table 45. Extended Read Single Block request format**

Request SOF	Request_flags	Extended Read Single Block	UID <sup>(1)</sup>	Block number	CRC16	Request EOF
-	8 bits	30h	64 bits	16 bits	16 bits	-

1. This field is optional.

Request parameters:

- Request flags

- UID (optional)
- Block number (from LSB byte to MSB byte)

**Table 46. Extended Read Single Block response format when Error\_flag is NOT set**

Response SOF	Response_flags	Block security status <sup>(1)</sup>	Data	CRC16	Response EOF
-	8 bits	8 bits	32 bits	16 bits	-

1. This field is optional.

Response parameters:

- Block security status if Option\_flag is set (see Table 43. Block security status)
- Four bytes of block data

**Table 47. Block security status**

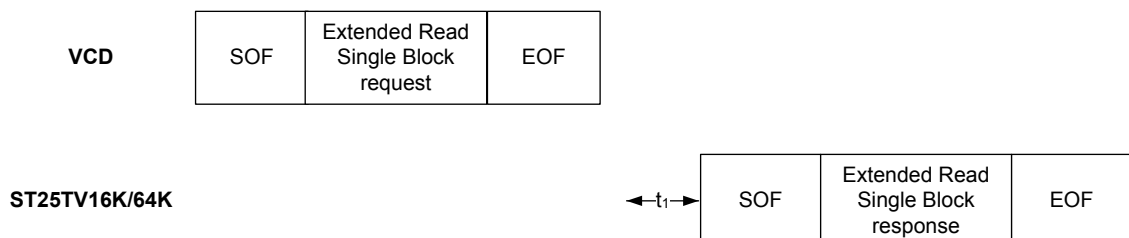
b <sub>7</sub>	b <sub>6</sub>	b <sub>5</sub>	b <sub>4</sub>	b <sub>3</sub>	b <sub>2</sub>	b <sub>1</sub>	b <sub>0</sub>
Reserved for future use. All at 0.							0: Current block not locked 1: Current block locked

**Table 48. Extended Read Single Block response format when Error\_flag is set**

Response SOF	Response_flags	Error code	CRC16	Response EOF
-	8 bits	8 bits	16 bits	-

Response parameter:

- Error code as Error\_flag is set
  - 03h: command option not supported or no response
  - 0Fh: error with no information
  - 10h: the specified block is not available
  - 15h: the specified block is read-protected

**Figure 10. Extended Read Single Block frame exchange between VCD and ST25TV16K/64K**


### 6.4.8 Write Single Block

On receiving the Write Single Block command, the ST25TV16K/64K writes the data contained in the request to the targeted block and reports whether the write operation was successful in the response. When the Option\_flag is set, wait for EOF to respond.

The Inventory\_flag must be set to 0.

During the RF write cycle  $W_t$ , there should be no modulation (neither 100% nor 10%), otherwise the ST25TV16K/64K may not program correctly the data into the memory. The  $W_t$  time is equal to  $t_{1nom} + N \times 302 \mu s$  (N is an integer).

Block number is coded on 1 Byte and only first 256 blocks of ST25TV16K/64K can be addressed using this command.

**Table 49. Write Single Block request format**

Request SOF	Request_flags	Write Single Block	UID <sup>(1)</sup>	Block number	Data	CRC16	Request EOF
-	8 bits	21h	64 bits	8 bits	32 bits	16 bits	-

1. *This field is optional.*

Request parameters:

- Request flags
- UID (optional)
- Block number
- Data

**Table 50. Write Single Block response format when Error\_flag is NOT set**

Response SOF	Response_flags	CRC16	Response EOF
-	8 bits	16 bits	-

Response parameter:

- No parameter. The response is sent back after the writing cycle.

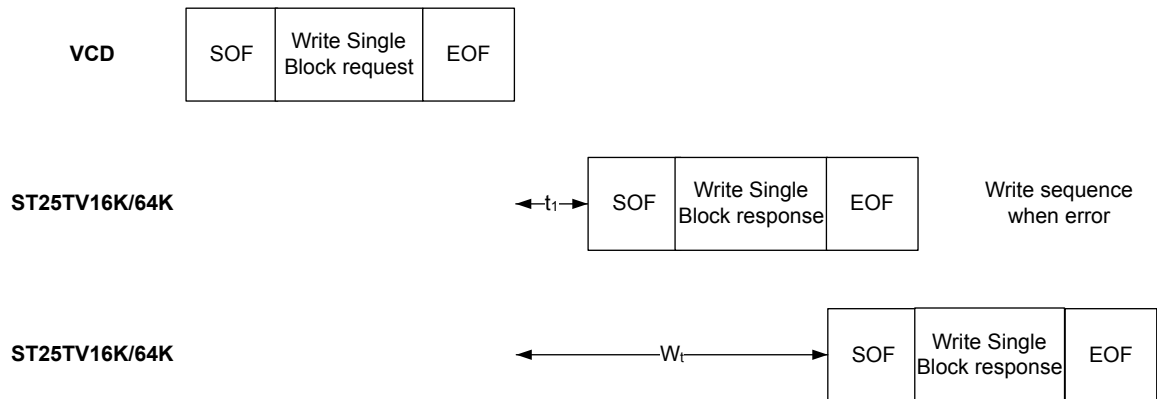
**Table 51. Write Single Block response format when Error\_flag is set**

Response SOF	Response_flags	Error code	CRC16	Response EOF
-	8 bits	8 bits	16 bits	-

Response parameter:

- Error code as Error\_flag is set<sup>(1)</sup>
  - 03h: command option not supported
  - 0Fh: error with no information given
  - 10h: the specified block is not available
  - 12h: the specified block is locked or protected and its contents cannot be changed
  - 13h: the specified block was not successfully programmed

1. *For more details, see [Figure 3. Memory organization](#)*

**Figure 11. Write Single Block frame exchange between VCD and ST25TV16K/64K**


### 6.4.9 Extended Write Single Block

On receiving the Extended Write Single command, the ST25TV16K/64K writes the data contained in the request to the targeted block and reports whether the write operation was successful in the response. When the Option\_flag is set, wait for EOF to respond.

The Inventory\_flag must be set to 0.

During the RF write cycle  $W_t$ , there should be no modulation (neither 100% nor 10%), otherwise the ST25TV16K/64K may not program correctly the data into the memory. The  $W_t$  time is equal to  $t_{1nom} + N \times 302 \mu s$  (N is an integer).

Block number is coded on 1 Byte and only first 256 blocks of ST25TV16K/64K can be addressed using this command.

**Table 52. Extended Write Single request format**

Request SOF	Request_flags	Extended Write Single Block	UID <sup>(1)</sup>	Block number	Data	CRC16	Request EOF
-	8 bits	31h	64 bits	16 bits	32 bits	16 bits	-

1. This field is optional.

Request parameters:

- Request flags
- UID (optional)
- Block number (from LSB byte to MSB byte)
- Data (from LSB byte to MSB byte)

**Table 53. Extended Write Single response format when Error\_flag is NOT set**

Response SOF	Response_flags	CRC16	Response EOF
-	8 bits	16 bits	-

Response parameter:

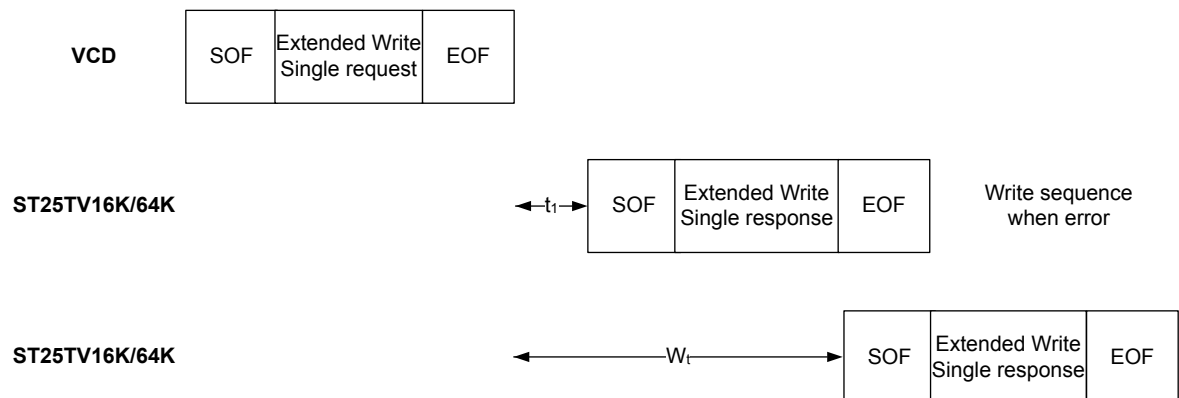
- No parameter. The response is sent back after the writing cycle.

**Table 54. Extended Write Single response format when Error\_flag is set**

Response SOF	Response_flags	Error code	CRC16	Response EOF
-	8 bits	8 bits	16 bits	-

Response parameter:

- Error code as Error\_flag is set:
  - 03h: command option not supported
  - 0Fh: error with no information given
  - 10h: the specified block is not available
  - 12h: the specified block is locked and its contents cannot be changed
  - 13h: the specified block was not successfully programmed

**Figure 12. Extended Write Single frame exchange between VCD and ST25TV16K/64K**


### 6.4.10 Lock block

On receiving the Lock block request, the ST25TV16K/64K locks the single block value permanently and protects its content against new writing.

This command is only applicable for the blocks 0 and 1 which may include a CC file.

For a global protection of a area, update accordingly the RFAISS bits in the system area. The Option\_flag is supported, when set wait for EOF to respond.

The Inventory\_flag must be set to 0.

During the RF write cycle  $W_t$ , there should be no modulation (neither 100% nor 10%), otherwise the ST25TV16K/64K may not lock correctly the single block value in memory. The  $W_t$  time is equal to  $t_{1nom} + N \times 302 \mu s$  (N is an integer).

**Table 55. Lock block request format**

Request SOF	Request_flags	Lock block	UID <sup>(1)</sup>	block number	CRC16	Request EOF
-	8 bits	22h	64 bits	8 bits	16 bits	-

1. This field is optional.

Request parameter:

- Request Flags
- UID (optional)

- Block number (only value 00h or 01h) are allowed to protect the CCfile in case of NDEF usage.

**Table 56. Lock block response format when Error\_flag is NOT set**

Response SOF	Response_flags	CRC16	Response EOF
-	8 bits	16 bits	-

Response parameter:

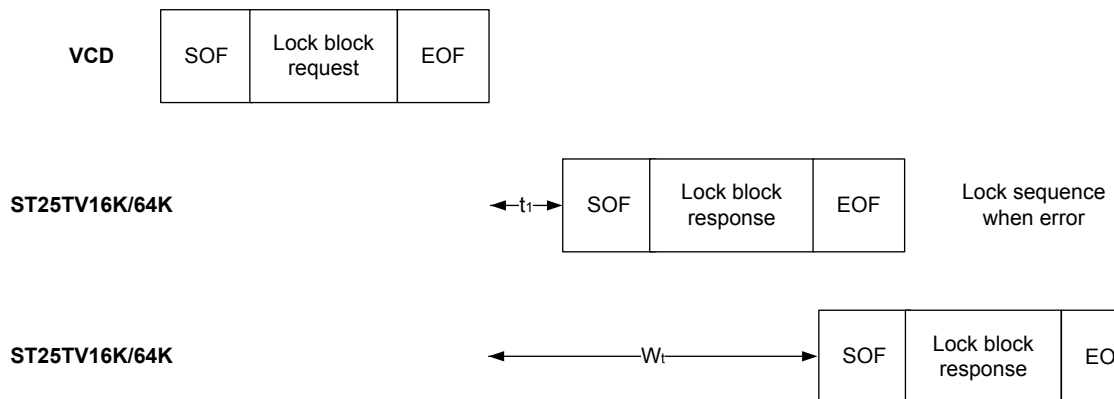
- No parameter

**Table 57. Lock single block response format when Error\_flag is set**

Response SOF	Response_flags	Error code	CRC16	Response EOF
-	8 bits	8 bits	16 bits	-

Response parameter:

- Error code as Error\_flag is set
  - 03h: command option not supported
  - 10h: block not available
  - 11h: the specified block is already locked and thus cannot be locked again
  - 14h: the specified block was not successfully locked

**Figure 13. Lock single block frame exchange between VCD and ST25TV16K/64K**


### 6.4.11 Extended Lock block

On receiving the extended Lock block request, the ST25TV16K/64K locks the single block value permanently and protects its content against new writing.

This command is only applicable for the blocks 0 and 1 which may include a CC file.

For a global protection of a area, update accordingly the AiSS bits in the system area. When the Option\_flag is set, wait for EOF to respond.

The Inventory\_flag must be set to 0.

During the RF write cycle  $W_t$ , there should be no modulation (neither 100% nor 10%), otherwise the ST25TV16K/64K may not lock correctly the single block value in memory. The  $W_t$  time is equal to  $t_{1nom} + N \times 302 \mu s$  (N is an integer).



**Table 58. Extended Lock block request format**

Request SOF	Request_flags	Extended Lock block	UID <sup>(1)</sup>	block number	CRC16	Request EOF
-	8 bits	32h	64 bits	16 bits	16 bits	-

1. This field is optional.

Request parameter:

- Request Flags
- UID (optional)
- Only block number 0 and 1 are allowed to protect the CCFile in case of NDEF (from LSB byte to MSB byte).

**Table 59. Extended Lock block response format when Error\_flag is NOT set**

Response SOF	Response_flags	CRC16	Response EOF
-	8 bits	16 bits	-

Response parameter:

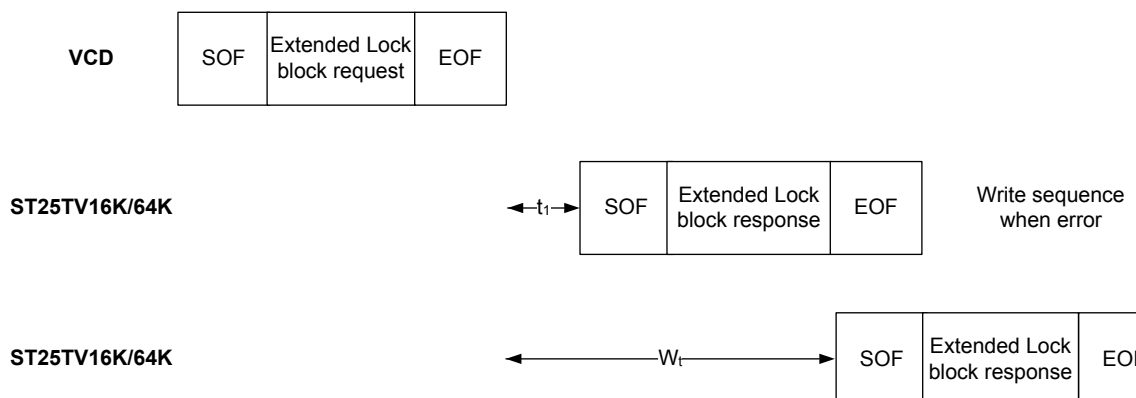
- No parameter

**Table 60. Extended Lock block response format when Error\_flag is set**

Response SOF	Response_flags	Error code	CRC16	Response EOF
-	8 bits	8 bits	16 bits	-

Response parameter:

- Error code as Error\_flag is set
  - 03h: command option not supported
  - 10h: block not available
  - 11h: the specified block is already locked and thus cannot be locked again
  - 14h: the specified block was not successfully locked

**Figure 14. Extended Lock block frame exchange between VCD and ST25TV16K/64K**


### 6.4.12 Read Multiple Blocks

When receiving the Read Multiple Block command, the ST25TV16K/64K reads the selected blocks and sends back their value in multiples of 32 bits in the response. The blocks are numbered from 00h to FFh in the request and the value is minus one (-1) in the field. For example, if the “Number of blocks” field contains the value 06h, seven blocks are read. The maximum number of blocks is fixed at 256 assuming that they are all located in the same area. If the number of blocks overlaps areas or overlaps the end of user memory, the ST25TV16K/64K returns an error code. When the Option\_flag is set, the response returns the Block Security Status.

The Inventory\_flag must be set to 0.

Block number is coded on 1 Byte and only first 256 blocks of ST25TV16K/64K can be addressed using this command.

**Table 61. Read Multiple Block request format**

Request SOF	Request_flags	Read Multiple Block	UID <sup>(1)</sup>	First block number	Number of blocks	CRC16	Request EOF
-	8 bits	23h	64 bits	8 bits	8 bits	16 bits	-

1. This field is optional.

Request parameters:

- Request flags
- UID (optional)
- First block number
- Number of blocks

**Table 62. Read Multiple Block response format when Error\_flag is NOT set**

Response SOF	Response_flags	Block security status <sup>(1)</sup>	Data	CRC16	Response EOF
-	8 bits	8 bits <sup>(2)</sup>	32 bits <sup>(2)</sup>	16 bits	-

1. This field is optional.

2. Repeated as needed.

Response parameters:

- Block security status if Option\_flag is set (see [Table 63. Block security status](#))
- N blocks of data

**Table 63. Block security status**

b <sub>7</sub>	b <sub>6</sub>	b <sub>5</sub>	b <sub>4</sub>	b <sub>3</sub>	b <sub>2</sub>	b <sub>1</sub>	b <sub>0</sub>
Reserved for future use. All at 0.							0: Current block not locked 1: Current block locked

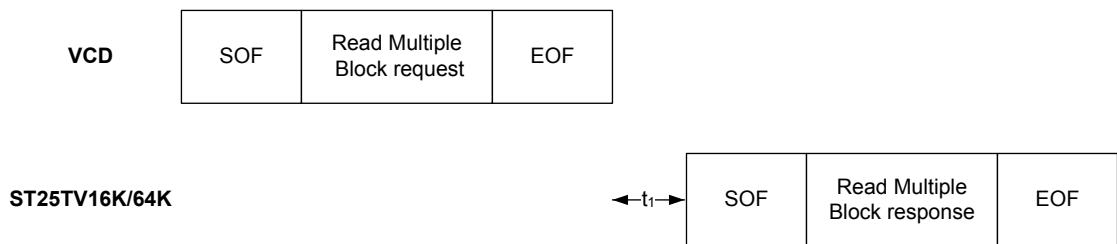
**Table 64. Read Multiple Block response format when Error\_flag is set**

Response SOF	Response_flags	Error code	CRC16	Response EOF
-	8 bits	8 bits	16 bits	-

Response parameter:

- Error code as Error\_flag is set:
  - 03h: command option is not supported
  - 0Fh: error with no information given
  - 10h: the specified block is not available
  - 15h: the specified block is read-protected

**Figure 15. Read Multiple Block frame exchange between VCD and ST25TV16K/64K**



### 6.4.13 Extended Read Multiple Blocks

When receiving the Extended Read multiple block command, the ST25TV16K/64K reads the selected blocks and sends back their value in multiples of 32 bits in the response. The blocks are numbered from 00h to last block of memory in the request and the value is minus one (-1) in the field. For example, if the “Number of blocks” field contains the value 06h, seven blocks are read. The maximum number of blocks is fixed at 2047 assuming that they are all located in the same area. If the number of blocks overlaps areas or overlaps the end of user memory, the ST25TV16K/64K returns an error code. When the Option\_flag is set, the response returns the Block Security Status.

The Inventory\_flag must be set to 0.

Block number is coded on 2 Bytes so all memory blocks of ST25TV16K/64K can be addressed using this command.

**Table 65. Extended Read Multiple Block request format**

Request SOF	Request_flags	Extended Read Multiple Block	UID <sup>(1)</sup>	First block number	Number of blocks	CRC16	Request EOF
-	8 bits	33h	64 bits	16 bits	16 bits	16 bits	-

1. This field is optional.

Request parameters:

- Request flags
- UID (optional)
- First block number (from LSB byte to MSB byte)
- Number of blocks (from LSB byte to MSB byte)

**Table 66. Extended Read Multiple Block response format when Error\_flag is NOT set**

Response SOF	Response_flags	Block security status <sup>(1)</sup>	Data	CRC16	Response EOF
-	8 bits	8 bits <sup>(2)</sup>	32 bits <sup>(2)</sup>	16 bits	-

1. This field is optional.

2. Repeated as needed.

Response parameters:

- Block security status if Option\_flag is set (see [Table 67. Block security status](#))
- N blocks of data

**Table 67. Block security status**

b <sub>7</sub>	b <sub>6</sub>	b <sub>5</sub>	b <sub>4</sub>	b <sub>3</sub>	b <sub>2</sub>	b <sub>1</sub>	b <sub>0</sub>
Reserved for future use. All at 0							0: Current block not locked 1: Current block locked

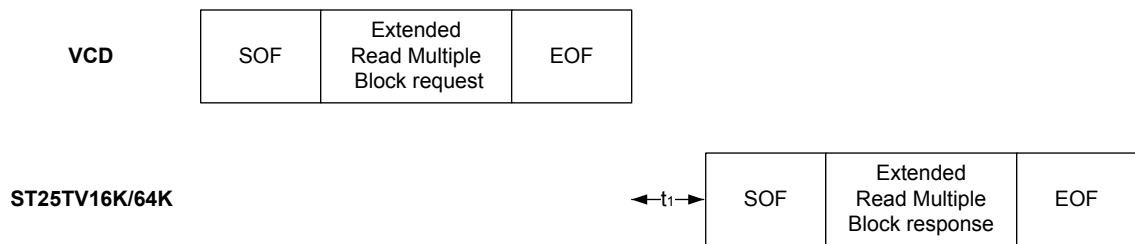
**Table 68. Extended Read Multiple Block response format when Error\_flag is set**

Response SOF	Response_flags	Error code	CRC16	Response EOF
-	8 bits	8 bits	16 bits	-

Response parameter:

- Error code as Error\_flag is set:
  - 03h: command option is not supported
  - 0Fh: error with no information given
  - 10h: the specified block is not available
  - 15h: the specified block is read-protected

**Figure 16. Extended Read Multiple Block frame exchange between VCD and ST25TV16K/64K**



### 6.4.14 Write Multiple Blocks

On receiving the Write Multiple Block command, the ST25TV16K/64K writes the data contained in the request to the requested blocks, and reports whether the write operation were successful in the response. ST25TV16K/64K supports up to 4 blocks, data field must be coherent with the number of blocks to program.

If some blocks overlaps areas, or overlap end of user memory the ST25TV16K/64K returns an error code and none of the blocks are programmed.

When the Option\_flag is set, wait for EOF to respond. During the RF write cycle  $W_t$ , there should be no modulation (neither 100% nor 10%), otherwise the ST25TV16K/64K may not program correctly the data into the memory. The  $W_t$  time is equal to  $t_{1nom} + m \times 302 \mu s < 20 \text{ ms}$ . (m is an integer, it is function of Nb number of blocks to be programmed).

The Inventory\_flag must be set to 0.

Block number is coded on 1 Byte and only first 256 blocks of ST25TV16K/64K can be addressed using this command.

**Table 69. Write Multiple Block request format**

Request SOF	Request_flags	Write Multiple Block	UID <sup>(1)</sup>	First Block number	Number of block <sup>(2)</sup>	Data	CRC16	Request EOF
-	8 bits	24h	64 bits	8 bits	8 bits	Block length <sup>(3)</sup>	16 bits	-

1. *This field is optional.*
2. *The number of blocks in the request is one less than the number of blocks that the VICC shall write.*
3. *Repeated as needed*

Request parameters:

- Request flags
- UID (optional)
- First Block number
- Number of blocks
- Data

**Table 70. Write Multiple Block response format when Error\_flag is NOT set**

Response SOF	Response_flags	CRC16	Response EOF
-	8 bits	16 bits	-

Response parameter:

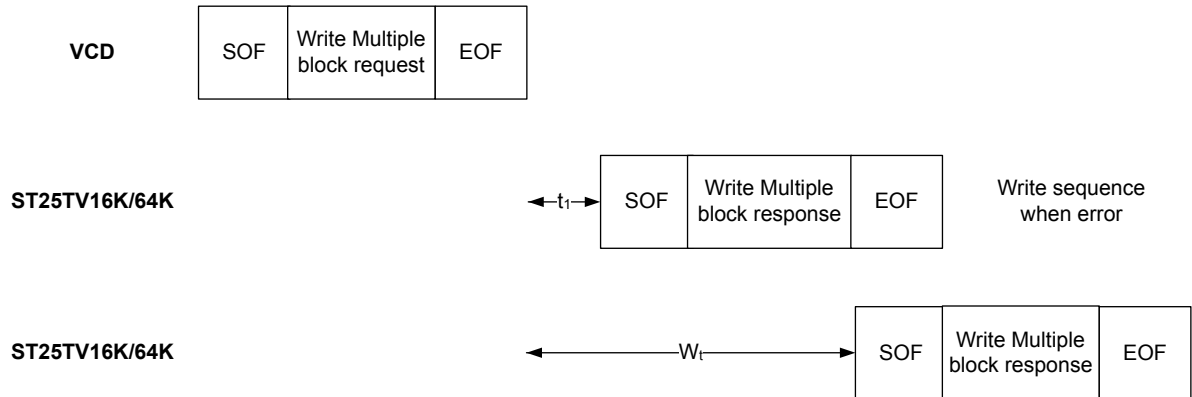
- No parameter. The response is sent back after the writing cycle.

**Table 71. Write Multiple Block response format when Error\_flag is set**

Response SOF	Response_flags	Error code	CRC16	Response EOF
-	8 bits	8 bits	16 bits	-

Response parameter:

- Error code as Error\_flag is set:
  - 03h: command option is not supported
  - 0Fh: error with no information given
  - 10h: the specified block is not available
  - 12h: the specified block is locked and its contents cannot be changed
  - 13h: the specified block was not successfully programmed

**Figure 17. Write Multiple Block frame exchange between VCD and ST25TV16K/64K**


### 6.4.15 Extended Write Multiple Blocks

On receiving the Extended Write multiple block command, the ST25TV16K/64K writes the data contained in the request to the targeted blocks and reports whether the write operation were successful in the response. ST25TV16K/64K supports up to 4 blocks, data field must be coherent with number of blocks to program.

If some blocks overlaps areas, or overlap end of user memory the ST25TV16K/64K returns an error code and none of the blocks are programmed.

When the Option\_flag is set, wait for EOF to respond. During the RF write cycle  $W_t$ , there should be no modulation (neither 100% nor 10%), otherwise the ST25TV16K/64K may not program correctly the data into the memory. The  $W_t$  time is equal to  $t_{1nom} + m \times 302 \mu s < 20 ms$  ( $m$  is an integer function of  $N_b$  number of blocks to be programmed).

The Inventory\_flag must be set to 0.

Block number is coded on 2 Bytes so all memory blocks of ST25TV16K/64K can be addressed using this command.

**Table 72. Extended Write Multiple Block request format**

Request SOF	Request_flags	Extended Write multiple block	UID <sup>(1)</sup>	First Block number	Number of block <sup>(2)</sup>	Data	CRC16	Request EOF
-	8 bits	34h	64 bits	16 bits	16 bits	Block length <sup>(3)</sup>	16 bits	-

1. This field is optional.
2. The number of blocks in the request is one less than the number of blocks that the VICC shall write.
3. Repeated as needed

Request parameters:

- Request flags
- UID (optional)
- First block number (from LSB byte to MSB byte)
- Number of block (from LSB byte to MSB byte)
- Data (from first to last blocks, from LSB bytes to MSB bytes)

**Table 73. Extended Write Multiple Block response format when Error\_flag is NOT set**

Response SOF	Response_flags	CRC16	Response EOF
-	8 bits	16 bits	-

Response parameter:

- No parameter. The response is sent back after the writing cycle.

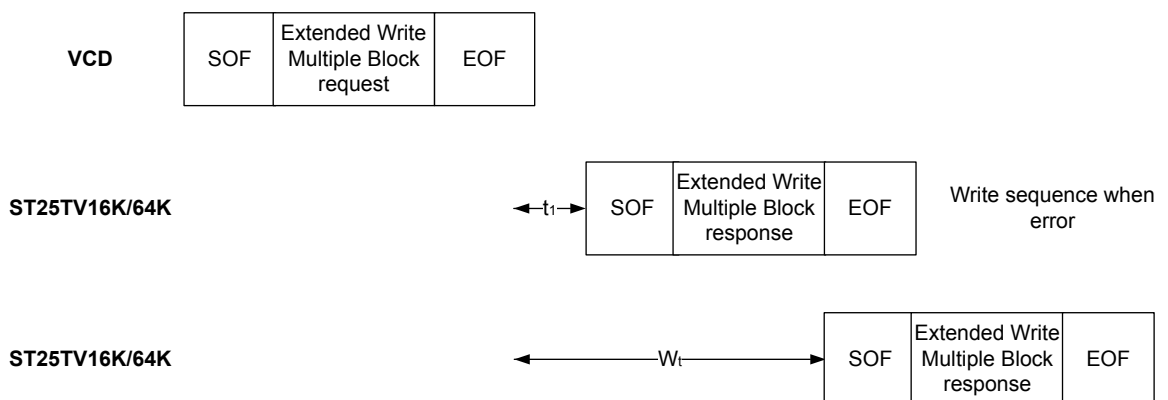
**Table 74. Extended Write Multiple Block response format when Error\_flag is set**

Response SOF	Response_flags	Error code	CRC16	Response EOF
-	8 bits	8 bits	16 bits	-

Response parameter:

- Error code as Error\_flag is set:
  - 03h: command option is not supported
  - 0Fh: error with no information given
  - 10h: the specified block is not available
  - 12h: the specified block is locked and its contents cannot be changed
  - 13h: the specified block was not successfully programmed

**Figure 18. Extended Write Multiple Block frame exchange between VCD and ST25TV16K/64K**



### 6.4.16 Select

When receiving the Select command:

- If the UID is equal to its own UID, the ST25TV16K/64K enters or stays in the Selected state and sends a response.
- If the UID does not match its own UID, the selected ST25TV16K/64K returns to the Ready state and does not send a response.

The ST25TV16K/64K answers an error code only if the UID is equal to its own UID. If not, no response is generated. If an error occurs, the ST25TV16K/64K remains in its current state.

The Option\_flag is not supported. The Inventory\_flag must be set to 0.

**Table 75. Select request format**

Request SOF	Request_flags	Select	UID	CRC16	Request EOF
-	8 bits	25h	64 bits	16 bits	-

Request parameter:

- UID

**Table 76. Select Block response format when Error\_flag is NOT set**

Response SOF	Response_flags	CRC16	Response EOF
-	8 bits	16 bits	-

Response parameter:

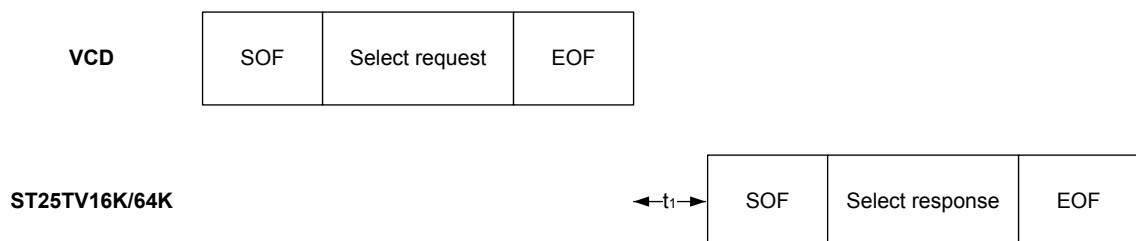
- No parameter

**Table 77. Select response format when Error\_flag is set**

Response SOF	Response_flags	Error code	CRC16	Response EOF
-	8 bits	8 bits	16 bits	-

Response parameter:

- Error code as Error\_flag is set:
  - 03h: the option is not supported
  - 0Fh: error with no information given

**Figure 19. Select frame exchange between VCD and ST25TV16K/64K**


### 6.4.17

#### Reset to Ready

On receiving a Reset to Ready command, the ST25TV16K/64K returns to the Ready state if no error occurs. In the Addressed mode, the ST25TV16K/64K answers an error code only if the UID is equal to its own UID. If not, no response is generated.

The Option\_flag is not supported. The Inventory\_flag must be set to 0.

**Table 78. Reset to Ready request format**

Request SOF	Request_flags	Reset to Ready	UID <sup>(1)</sup>	CRC16	Request EOF
-	8 bits	26h	64 bits	16 bits	-

1. This field is optional.

Request parameter:

- UID (optional)



**Table 79. Reset to Ready response format when Error\_flag is NOT set**

Response SOF	Response_flags	CRC16	Response EOF
-	8 bits	16 bits	-

Response parameter:

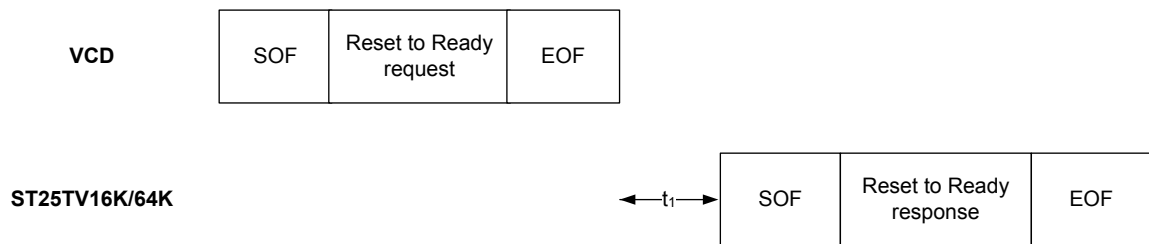
- No parameter

**Table 80. Reset to ready response format when Error\_flag is set**

Response SOF	Response_flags	Error code	CRC16	Response EOF
-	8 bits	8 bits	16 bits	-

Response parameter:

- Error code as Error\_flag is set:
  - 03h: the option is not supported
  - 0Fh: error with no information given

**Figure 20. Reset to Ready frame exchange between VCD and ST25TV16K/64K**


### 6.4.18 Write AFI

On receiving the Write AFI request, the ST25TV16K/64K programs the 8-bit AFI value to its memory. When the Option\_flag is set, wait for EOF to respond.

During the RF write cycle  $W_t$ , there should be no modulation (neither 100% nor 10%), otherwise the ST25TV16K/64K may not write correctly the AFI value into the memory. The  $W_t$  time is equal to  $t_{1nom} + N \times 302 \mu s$  (N is an integer).

The Inventory\_flag must be set to 0.

**Table 81. Write AFI request format**

Request SOF	Request_flags	Write AFI	UID <sup>(1)</sup>	AFI	CRC16	Request EOF
-	8 bits	27h	64 bits	8 bits	16 bits	-

1. This field is optional.

Request parameter:

- Request flags
- UID (optional)
- AFI

**Table 82. Write AFI response format when Error\_flag is NOT set**

Response SOF	Response_flags	CRC16	Response EOF
-	8 bits	16 bits	-

Response parameter:

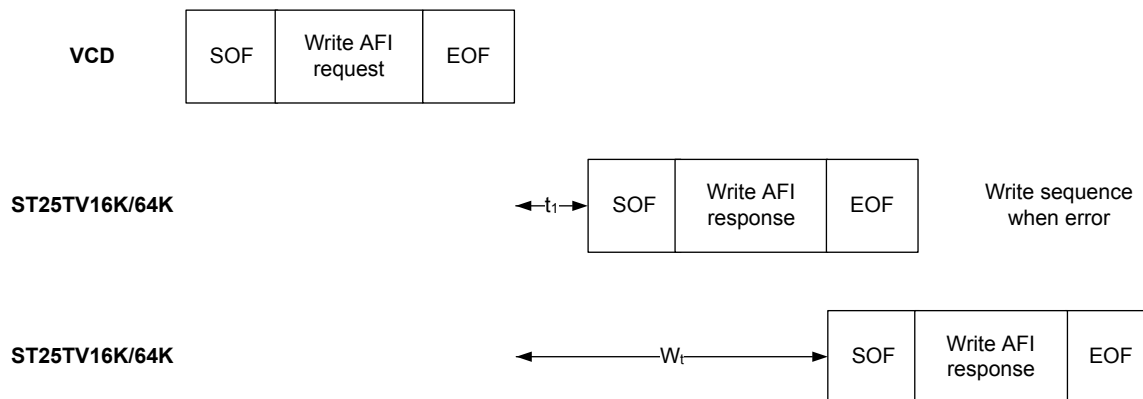
- No parameter

**Table 83. Write AFI response format when Error\_flag is set**

Response SOF	Response_flags	Error code	CRC16	Response EOF
-	8 bits	8 bits	16 bits	-

Response parameter:

- Error code as Error\_flag is set
  - 03h: command option is not supported
  - 0Fh: error with no information given
  - 12h: the specified block is locked and its contents cannot be changed
  - 13h: the specified block was not successfully programmed

**Figure 21. Write AFI frame exchange between VCD and ST25TV16K/64K**


### 6.4.19 Lock AFI

On receiving the Lock AFI request, the ST25TV16K/64K locks the AFI value permanently. When the Option\_flag is set, wait for EOF to respond.

The Inventory\_flag must be set to 0.

During the RF write cycle  $W_t$ , there should be no modulation (neither 100% nor 10%), otherwise the ST25TV16K/64K may not lock correctly the AFI value in memory. The  $W_t$  time is equal to  $t_{1nom} + N \times 302 \mu s$  (N is an integer).

**Table 84. Lock AFI request format**

Request SOF	Request_flags	Lock AFI	UID <sup>(1)</sup>	CRC16	Request EOF
-	8 bits	28h	64 bits	16 bits	-

1. This field is optional.

Request parameter:

- Request Flags
- UID (optional)

**Table 85. Lock AFI response format when Error\_flag is NOT set**

Response SOF	Response_flags	CRC16	Response EOF
-	8 bits	16 bits	-

Response parameter:

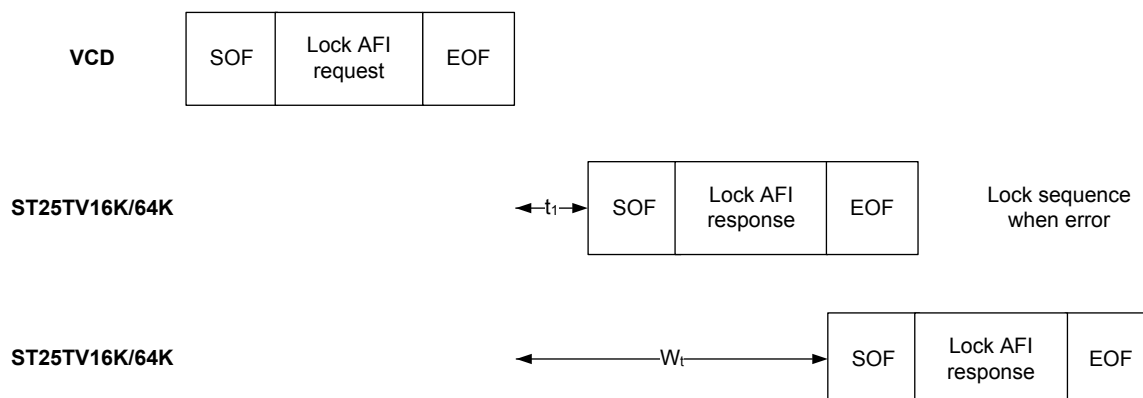
- No parameter

**Table 86. Lock AFI response format when Error\_flag is set**

Response SOF	Response_flags	Error code	CRC16	Response EOF
-	8 bits	8 bits	16 bits	-

Response parameter:

- Error code as Error\_flag is set
  - 03h: command option is not supported
  - 0Fh: error with no information given
  - 11h: the specified block is already locked and thus cannot be locked again
  - 14h: the specified block was not successfully locked

**Figure 22. Lock AFI frame exchange between VCD and ST25TV16K/64K**


### 6.4.20 Write DSFID

On receiving the Write DSFID request, the ST25TV16K/64K programs the 8-bit DSFID value to its memory. When the Option\_flag is set, wait for EOF to respond.

The Inventory\_flag must be set to 0.

During the RF write cycle  $W_t$ , there should be no modulation (neither 100% nor 10%), otherwise the ST25TV16K/64K may not write correctly the DSFID value in memory. The  $W_t$  time is equal to  $t_{1nom} + N \times 302 \mu s$  (N is an integer).

**Table 87. Write DSFID request format**

Request SOF	Request_flags	Write DSFID	UID <sup>(1)</sup>	DSFID	CRC16	Request EOF
-	8 bits	29h	64 bits	8 bits	16 bits	-

1. This field is optional.

Request parameter:

- Request flags
- UID (optional)
- DSFID

**Table 88. Write DSFID response format when Error\_flag is NOT set**

Response SOF	Response_flags	CRC16	Response EOF
-	8 bits	16 bits	-

Response parameter:

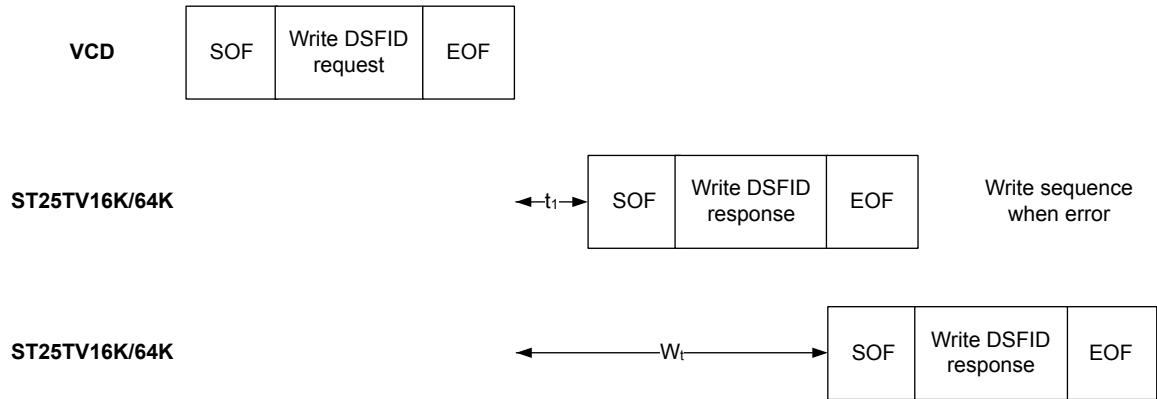
- No parameter

**Table 89. Write DSFID response format when Error\_flag is set**

Response SOF	Response_flags	Error code	CRC16	Response EOF
-	8 bits	8 bits	16 bits	-

Response parameter:

- Error code as Error\_flag is set
  - 03h: command option is not supported
  - 0Fh: error with no information given
  - 12h: the specified block is locked and its contents cannot be changed
  - 13h: the specified block was not successfully programmed

**Figure 23. Write DSFID frame exchange between VCD and ST25TV16K/64K**


### 6.4.21 Lock DSFID

On receiving the Lock DSFID request, the ST25TV16K/64K locks the DSFID value permanently. When the Option\_flag is set, wait for EOF to respond.

The Inventory\_flag must be set to 0.

During the RF write cycle  $W_t$ , there should be no modulation (neither 100% nor 10%), otherwise the ST25TV16K/64K may not lock correctly the DSFID value in memory. The  $W_t$  time is equal to  $t_{1nom} + N \times 302 \mu s$  (N is an integer).

**Table 90. Lock DSFID request format**

Request SOF	Request_flags	Lock DSFID	UID <sup>(1)</sup>	CRC16	Request EOF
-	8 bits	2Ah	64 bits	16 bits	-

1. This field is optional.

Request parameter:

- Request flags
- UID (optional)

**Table 91. Lock DSFID response format when Error\_flag is NOT set**

Response SOF	Response_flags	CRC16	Response EOF
-	8 bits	16 bits	-

Response parameter:

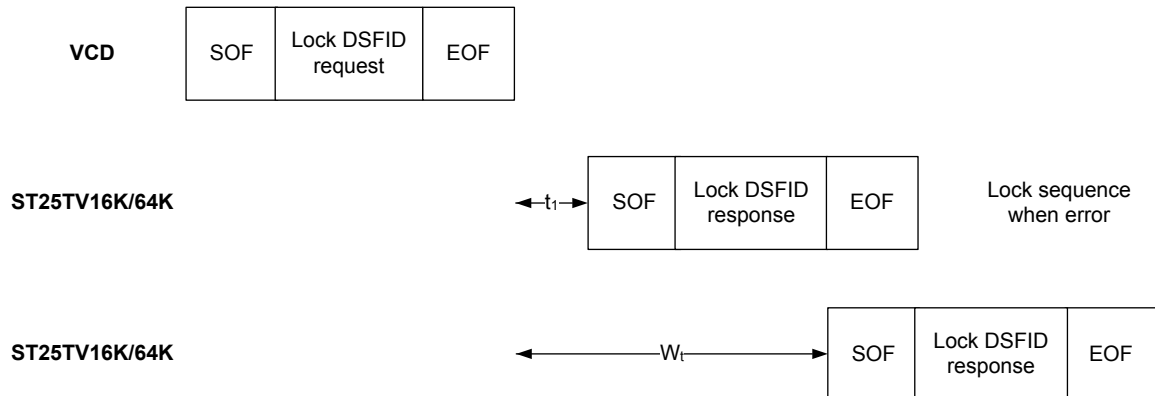
- No parameter.

**Table 92. Lock DSFID response format when Error\_flag is set**

Response SOF	Response_flags	Error code	CRC16	Response EOF
-	8 bits	8 bits	16 bits	-

Response parameter:

- Error code as Error\_flag is set:
  - 03h: command option is not supported
  - 0Fh: error with no information given
  - 11h: the specified block is already locked and thus cannot be locked again
  - 14h: the specified block was not successfully locked

**Figure 24. Lock DSFID frame exchange between VCD and ST25TV16K/64K**


### 6.4.22 Get System Info

When receiving the Get System Info command, the ST25TV16K/64K sends back its information data in the response. The Option\_flag is not supported. The Get System Info can be issued in both Addressed and Non Addressed modes.

The Inventory\_flag must be set to 0.

**Table 93. Get System Info request format**

Request SOF	Request_flags	Get System Info	UID <sup>(1)</sup>	CRC16	Request EOF
-	8 bits	2Bh	64 bits	16 bits	-

1. This field is optional.

Request parameter:

- Request flags
- UID (optional)

**Table 94. Get System Info response format Error\_flag is NOT set**

Response SOF	Response_flags	Information flags	UID	DSFID	AFI	IC ref.	CRC16	Response EOF
-	00h	0Fh	64bits	8 bits	8 bits	48h	16 bits	-

Response parameters:

- Information flags set to 0Bh. DSFID, AFI, and IC reference fields are present.
- UID code on 64 bits
- DSFID value
- AFI value

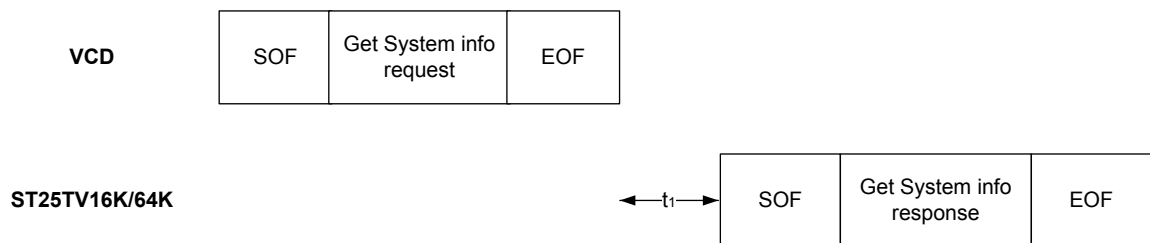
- IC reference: the 8 bits are significant.

**Table 95. Get System Info response format when Error\_flag is set**

Response SOF	Response_flags	Error code	CRC16	Response EOF
-	01h	8 bits	16 bits	-

Response parameter:

- Error code as Error\_flag is set:
  - 03h: Option not supported
  - 0Fh: error with no information given

**Figure 25. Get System Info frame exchange between VCD and ST25TV16K/64K**


### 6.4.23 Extended Get System Info

When receiving the Extended Get System Info command, the ST25TV16K/64K sends back its information data in the response. The Option\_flag is not supported. The Extended Get System Info can be issued in both Addressed and Non Addressed modes.

The Inventory\_flag must be set to 0.

**Table 96. Extended Get System Info request format**

Request SOF	Request_flags	Extended Get System Info	Parameter request field	UID <sup>(1)</sup>	CRC16	Request EOF
-	8 bits	3Bh	8 bits	64 bits	16 bits	-

1. This field is optional.

- Request flags
- Request parameters
- UID (optional)

M

**Table 97. Parameter request list**

Bit	Flag name	Value	Description
b1	DSFID	0	No request of DSFID
		1	Request of DSFID

Bit	Flag name	Value	Description
b2	AFI	0	No request of AFI
		1	Request of AFI
b3	VICC memory size	0	No request of data field on VICCmemory size
		1	Request of data field on VICCmemory size
b4	IC reference	0	No request of Information on IC reference
		1	Request of Information on IC reference
b5	MOI	1	Information on MOI always returned in response flag
b6	VICC Command list	0	No request of Data field of all supported commands
		1	Request of Data field of all supported commands
b7	CSI Information	0	No request of CSI list
		1	Request of CSI list
b8	Extended Get System Info parameter Field	0	One byte length of Extended Get System Info parameter field

**Table 98. Extended Get System Info response format when Error\_flag is NOT set**

Response SOF	Response_flags	Information flags	UID	DSFID <sup>(1)</sup> <sup>(2)</sup>	AFI <sup>(1)(2)</sup>	Other Field <sup>(1)(2)</sup>	CRC16	Response EOF
-	00h	8 bits <sup>(1)</sup>	64 bits	8 bits	8 bits	up to 64 bits <sup>(3)</sup>	16 bits	-

1. See [Table 99. Response Information Flag](#).
2. This field is optional.
3. Number of bytes is function of parameter list selected.

Response parameters:

- Information flag defining which fields are present
- UID code on 64 bits
- DSFID value (if requested in Parameters request field)
- AFI value (if requested in Parameters request field)
- Other fields:
  - VICC Memory size (if requested in Parameters request field)
  - ICRef(if requested in Parameters request field)
  - VICC Command list (if requested in Parameters request field)

**Table 99. Response Information Flag**

Bit	Flag name	Value	Description
b1	DSFID	0	DSFID field is not present
		1	DSFID field is present
b2	AFI	0	AFI field is not present
		1	AFI field is present
b3	VICC memory size	0	Data field on VICC memory size is not present.
		1	Data field on VICC memory size is present.



Bit	Flag name	Value	Description
b4	IC reference	0	Information on IC reference field is not present.
		1	Information on IC reference field is present.
b5	MOI	0	1 byte addressing
1	Data field of all supported commands is present	b6	VICCCommand list
b7	CSI Information	0	CSI list is not present
b8	Info flag field	0	One byte length of info flag field

**Table 100. Response other field: ST25TV16K/64K VICC memory size**

MSB		LSB			
24	22	21	17	16	01
RFU		Block size in byte		Number of blocks	
0h		03h		ST25TV16K 01FFh ST25TV64K 07FFh	

**Table 101. Response other field: ST25TV16K/64K IC Ref**

1 byte
ICRef
48h

**Table 102. Response other field: ST25TV16K/64K VICC command list**

MSB		LSB					
32	25	24	17	16	09	08	01
Byte 4		Byte 3		Byte 2		Byte 1	
00h		3Fh		3Fh		FFh	

**Table 103. Response other field: ST25TV16K/64K VICC command list Byte 1**

Bit	Meaning if bit is set	Comment
b1	Read single block is supported	-
b2	Write single block is supported	-
b3	Lock single block is supported	-
b4	Read multiple block is supported	-
b5	Write multiple block is supported	-
b6	Select is supported	including Select state
b7	Reset to Ready is supported	-
b8	Get multiple block security status is supported	-

**Table 104. Response other field: ST25TV16K/64K VICC command list Byte 2**

Bit	Meaning if bit is set	Comment
b1	Write AFI is supported	-
b2	Lock AFI is supported	-
b3	Write DSFID is supported	-
b4	Lock DSFID is supported	-
b5	Get System Information is supported	-
b6	Custom commands are supported	-
b7	RFU	0 shall be returned
b8	RFU	0 shall be returned

**Table 105. Response other field: ST25TV16K/64K VICC command list Byte 3**

Bit	Meaning if bit is set	Comment
b1	Extended read single block is supported	-
b2	Extended write single block is supported	-
b3	Extended lock single block is supported	-
b4	Extended read multiple block is supported	-
b5	Extended write multiple block is supported	-
b6	Extended Get Multiple Security Status is supported	-
b7	RFU	0 shall be returned
b8	RFU	0 shall be returned

**Table 106. Response other field: ST25TV16K/64K VICC command list Byte 4**

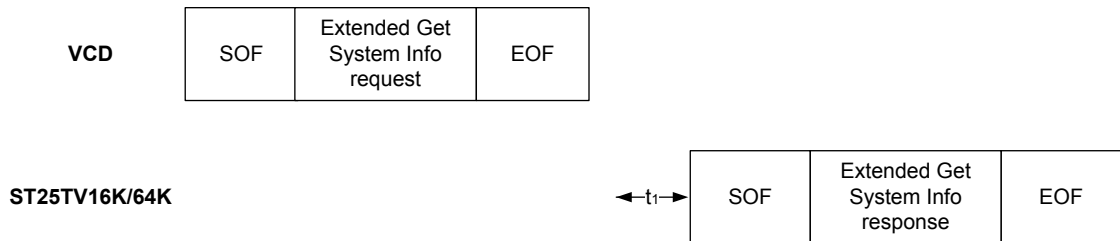
Bit	Meaning if bit is set	Comment
b1	Read Buffer is supported	Means Response Buffer is supported
b2	Select Secure State is supported	Means VCD or Mutual authentication are supported
b3	Final Response always includes crypto result	Means that flag b3 will be set in the Final response
b4	AuthComm crypto format is supported	-
b5	SecureComm crypto format is supported	-
b6	KeyUpdate is supported	-
b7	Challenge is supported	-
b8	If set to 1 a further Byte is transmitted	0 shall be returned

**Table 107. Extended Get System Info response format when Error\_flag is set**

Response SOF	Response_flags	Error code	CRC16	Response EOF
-	01h	8 bits	16 bits	-

Response parameter:

- Error code as Error\_flag is set:
  - 03h: Option not supported
  - 0Fh: error with no information given

**Figure 26. Extended Get System Info frame exchange between VCD and ST25TV16K/64K**


#### 6.4.24 Get Multiple Block Security Status

When receiving the Get Multiple Block Security Status command, the ST25TV16K/64K sends back its security status for each address block: 0 when block is writable else 1 when block is locked for writing. The blocks security status are defined by the area security status (and by LCK\_CCFILE register for blocks 0 and 1). The blocks are numbered from 00h up to the maximum memory block number in the request, and the value is minus one (-1) in the field. For example, a value of “06” in the “Number of blocks” field requests will return the security status of seven blocks. This command does not respond an error if number of blocks overlap areas or overlaps the end of user memory.

The number of blocks is coded on 1 Byte and only first 256 blocks of ST25TV16K/64K can be addressed using this command.

The Option\_flag is not supported. The Inventory\_flag must be set to 0.

**Table 108. Get Multiple Block Security Status request format**

Request SOF	Request_flags	Get Multiple Block Security Status	UID <sup>(1)</sup>	First block number	Number of blocks	CRC16	Request EOF
-	8 bits	2Ch	64 bits	8 bits	8 bits	16 bits	-

1. This field is optional.

Request parameter:

- Request flags
- UID (optional)
- First block number
- Number of blocks

**Table 109. Get Multiple Block Security Status response format when Error\_flag is NOT set**

Response SOF	Response_flags	Block security status	CRC16	Response EOF
-	8 bits	8 bits <sup>(1)</sup>	16 bits	-

1. Repeated as needed.

Response parameters:

- Block security status

**Table 110. Block security status**

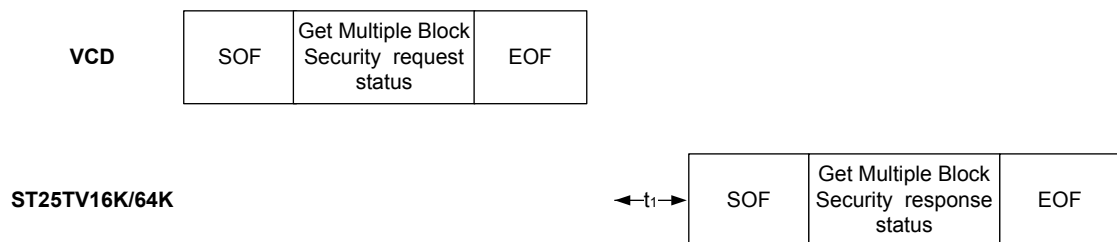
b <sub>7</sub>	b <sub>6</sub>	b <sub>5</sub>	b <sub>4</sub>	b <sub>3</sub>	b <sub>2</sub>	b <sub>1</sub>	b <sub>0</sub>
Reserved for future use All at 0							0: Current block not locked 1: Current block locked

**Table 111. Get Multiple Block Security Status response format when Error\_flag is set**

Response SOF	Response_flags	Error code	CRC16	Response EOF
-	8 bits	8 bits	16 bits	-

Response parameter:

- Error code as Error\_flag is set:
  - 03h: the option is not supported
  - 0Fh: error with no information given
  - 10h: the specified block is not available

**Figure 27. Get Multiple Block Security Status frame exchange between VCD and ST25TV16K/64K**


### 6.4.25 Extended Get Multiple Block Security Status

When receiving the Extended Get Multiple Block Security Status command, the ST25TV16K/64K sends back the security status for each address block: 0 when the block is writable else 1 when block is locked for writing. The block security statuses are defined by the area security status. The blocks are numbered from 00h up to the maximum memory block number in the request, and the value is minus one (–1) in the field. For example, a value of '06' in the “Number of blocks” field requests to return the security status of seven blocks.

This command does not respond an error if number of blocks overlap areas or overlaps the end of user memory. The number of blocks is coded on 2 Bytes so all memory blocks of ST25TV16K/64K can be addressed using this command.

The Option\_flag is not supported. The Inventory\_flag must be set to 0.

**Table 112. Extended Get Multiple Block Security Status request format**

Request SOF	Request_flags	Extended Get Multiple Block Security Status	UID <sup>(1)</sup>	First block number	Number of blocks	CRC16	Request EOF
-	8 bits	3Ch	64 bits	16 bits	16 bits	16 bits	-

1. This field is optional.

Request parameter:

- Request flags
- UID (optional)
- First block number (from LSB byte to MSB byte)
- Number of blocks (from LSB byte to MSB byte)

**Table 113. Extended Get Multiple Block Security Status response format when Error\_flags NOT set**

Response SOF	Response_flags	Block security status	CRC16	Response EOF
-	8 bits	8 bits <sup>(1)</sup>	16 bits	-

1. Repeated as needed.

Response parameters:

Block security status

**Table 114. Block security status**

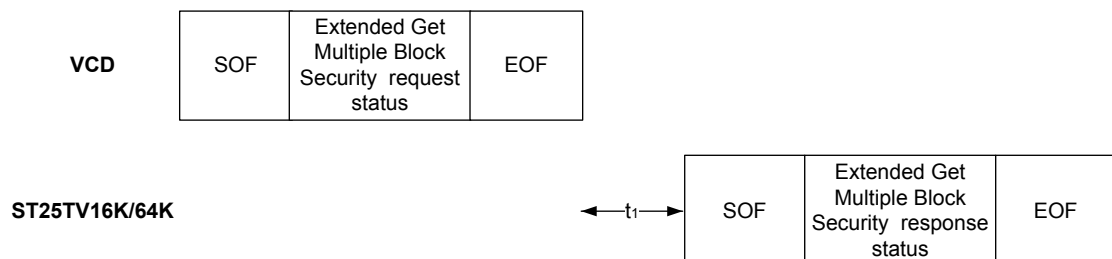
b <sub>7</sub>	b <sub>6</sub>	b <sub>5</sub>	b <sub>4</sub>	b <sub>3</sub>	b <sub>2</sub>	b <sub>1</sub>	b <sub>0</sub>
Reserved for future use							0: Current block not locked
All at 0							1: Current block locked

**Table 115. Extended Get Multiple Block Security Status response format when Error\_flag is set**

Response SOF	Response_flags	Error code	CRC16	Response EOF
-	8 bits	8 bits	16 bits	-

Response parameter:

- Error code as Error\_flag is set:
  - 03h: the option is not supported
  - 0Fh: error with no information given
  - 10h: the specified block is not available

**Figure 28. Extended Get Multiple Block Security Status frame exchange between VCD and ST25TV16K/64K**


### 6.4.26 Read Configuration

On receiving the Read Configuration command, the ST25TV16K/64K reads the static system configuration register at the Pointer address and sends back its 8-bit value in the response.  
The Option\_flag is not supported. The Inventory\_flag must be set to 0.

**Table 116. Read Configuration request format**

Request SOF	Request_flags	Read Configuration	IC Mfg code	UID <sup>(1)</sup>	Pointer	CRC16	Request EOF
-	8 bits	A0h	02h	64 bits	8 bits	16 bits	-

1. This field is optional.

Note: Please refer to [Table 7. System configuration memory map](#) for details on register addresses.

Request parameters:

- System configuration register pointer
- UID (optional)

**Table 117. Read Configuration response format when Error\_flag is NOT set**

Response SOF	Response_flags	Register value	CRC16	Response EOF
-	8 bits	8 bits	16 bits	-

Response parameters:

- One byte of data: system configuration register

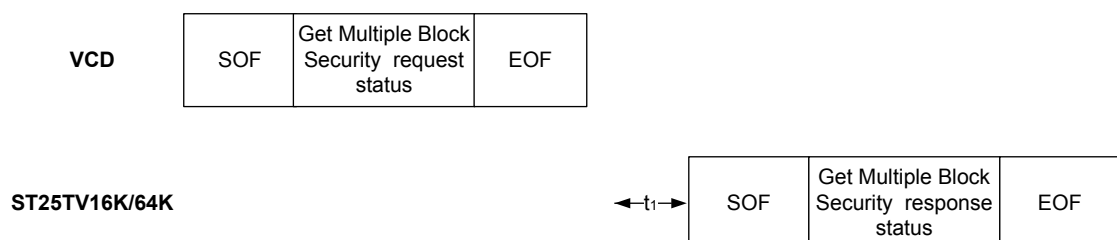
**Table 118. Read Configuration response format when Error\_flag is set**

Response SOF	Response_flags	Error code	CRC16	Response EOF
-	8 bits	8 bits	16 bits	-

Response parameter:

- Error code as Error\_flag is set
  - 02h: command not recognized
  - 03h: the option is not supported
  - 10h: block not available
  - 0Fh: error with no information given

**Figure 29. Read Configuration frame exchange between VCD and ST25TV16K/64K**



### 6.4.27 Write Configuration

The Write Configuration command is used to write static system configuration register. The Write Configuration must be preceded by a valid presentation of the RF configuration password (00) to open the RF configuration security session.

On receiving the Write Configuration command, the ST25TV16K/64K writes the data contained in the request to the system configuration register at the Pointer address and reports whether the write operation was successful in the response or not.

When the Option\_flag is set, wait for EOF to respond. The Inventory\_flag is not supported.

During the RF write cycle  $W_t$ , there should be no modulation (neither 100% nor 10%), otherwise the ST25TV16K/64K may not program correctly the data into the Configuration byte. The  $W_t$  time is equal to  $t_{1nom} + N \times 302 \mu s$  (N is an integer).

**Table 119. Write Configuration request format**

Request SOF	Request_flags	Write Configuration	IC Mfg code	UID <sup>(1)</sup>	Pointer	Register Value <sup>(2)</sup>	CRC16	Request EOF
-	8 bits	A1h	02h	64 bits	8 bits	8 bits	16 bits	-

1. This field is optional.
2. Before updating the register value, check the meaning of each bit in previous sections.

Request parameters:

- Request flags
- Register pointer
- Register value
- UID (optional)

**Table 120. Write Configuration response format when Error\_flag is NOT set**

Response SOF	Response_flags	CRC16	Response EOF
-	8 bits	16 bits	-

*Note:* Please refer to [Table 7. System configuration memory map](#) for details on register addresses.

Response parameter:

- No parameter. The response is sent back after the writing cycle.

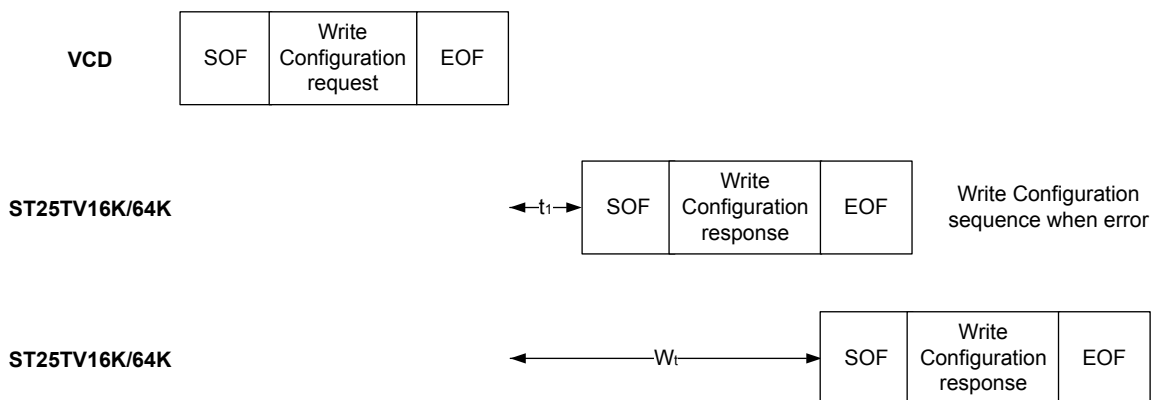
**Table 121. Write Configuration response format when Error\_flag is set**

Response SOF	Response_flags	Error code	CRC16	Response EOF
-	8 bits	8 bits	16 bits	-

Response parameter:

- Error code as Error\_flag is set:
  - 02h: command not recognized
  - 03h: command option is not supported
  - 0Fh: error with no information given
  - 10h: block not available
  - 12h: block already locked, content can't change

- 13h: the specified block was not successfully programmed

**Figure 30. Write Configuration frame exchange between VCD and ST25TV16K/64K**


### 6.4.28 Write Password

On receiving the Write Password command, the ST25TV16K/64K uses the data contained in the request to write the password and reports whether the operation was successful in the response. It is possible to modify a Password value only after issuing a valid Present password command (of the same password number). When the Option\_flag is set, wait for EOF to respond. Refer to [Section 5.2 Data Protection](#) for details on password Management.

The Inventory\_flag must be set to 0.

During the RF write cycle time,  $W_t$ , there must be no modulation at all (neither 100% nor 10%), otherwise the ST25TV16K/64K may not correctly program the data into the memory.

The  $W_t$  time is equal to  $t_{1nom} + N \times 302 \mu s$  (N is an integer). After a successful write, the new value of the selected password is automatically activated. It is not required to present the new password value until the ST25TV16K/64K power-down.

**Caution:** To make the application more robust, it is recommended to use addressed or selected mode during write password operations to get the traceability of which tags/UID have been programmed.

**Table 122. Write Password request format**

Request SOF	Request_flags	Write password	IC Mfg code	UID <sup>(1)</sup>	Password number	Data	CRC16	Request EOF
-	8 bits	B1h	02h	64 bits	8 bits	64 bits	16 bits	-

1. This field is optional.

Request parameter:

- Request flags
- UID (optional)
- Password number:
  - 00h = PWD\_0 configuration password
  - 01h = PWD\_1
  - 02h = PWD\_2
  - 03h = PWD\_3
  - other = Error
- Data



**Table 123. Write Password response format when Error\_flag is NOT set**

Response SOF	Response_flags	CRC16	Response EOF
-	8 bits	16 bits	-

Response parameter:

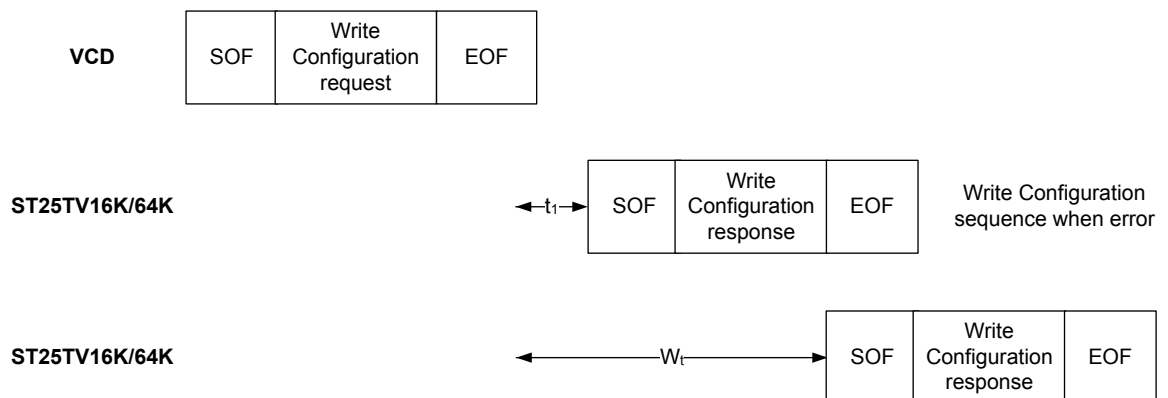
- no parameter.

**Table 124. Write Password response format when Error\_flag is set**

Response SOF	Response_flags	Error code	CRC16	Response EOF
-	8 bits	8 bits	16 bits	-

Response parameter:

- Error code as Error\_flag is set:
  - 02h: command not recognized
  - 03h: command option not supported
  - 10h: the password number is incorrect
  - 12h: update right not granted, Present Password command not previously executed successfully
  - 13h: the specified block was not successfully programmed

**Figure 31. Write Password frame exchange between VCD and ST25TV16K/64K**


### 6.4.29 Present Password

On receiving the Present Password command, the ST25TV16K/64K compares the requested password with the data contained in the request and reports if the operation has been successful in the response. Refer to [Section 5.2 Data Protection](#) for details on password Management. After a successful command, the security session associated to the password is open as described in [Section 5.2 Data Protection](#).

The Option\_flag is not supported. The Inventory\_flag must be set to 0.

**Table 125. Present Password request format**

Request SOF	Request_flags	Present Password	IC Mfg code	UID <sup>(1)</sup>	Password number	Password	CRC16	Request EOF
-	8 bits	B3h	02h	64 bits	8 bits	64 bits	16 bits	-

1. This field is optional.

Request parameter:

- Request flags
- UID (optional)
- Password number (00h = Password configuration, 0x01 = PWD\_1, 0x02 = PWD\_2, 0x03 = PWD\_3, other = Error)
- Password

**Table 126. Present Password response format when Error\_flag is NOT set**

Response SOF	Response_flags	CRC16	Response EOF
-	8 bits	16 bits	-

Response parameter:

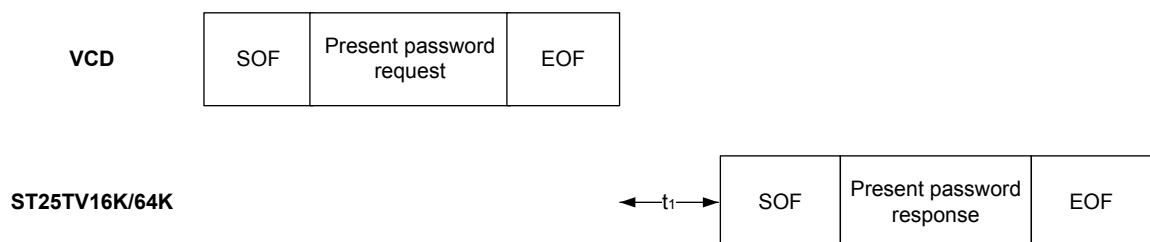
- No parameter. The response is sent back after the write cycle.

**Table 127. Present Password response format when Error\_flag is set**

Response SOF	Response_flags	Error code	CRC16	Response EOF
-	8 bits	8 bits	16 bits	-

Response parameter:

- Error code as Error\_flag is set:
  - 02h: command not recognized
  - 03h: command option not supported
  - 0Fh: the present password is incorrect
  - 10h: the password number is incorrect

**Figure 32. Present Password frame exchange between VCD and ST25TV16K/64K**


### 6.4.30 Fast Read Single Block

On receiving the Fast Read Single Block command, the ST25TV16K/64K reads the requested block and sends back its 32-bit value in the response. When the Option\_flag is set, the response includes the Block Security Status. The data rate of the response is multiplied by 2.

The subcarrier\_flag should be set to 0, otherwise the ST25TV16K/64K answers with an error code.

The Inventory\_flag must be set to 0.

Block number is coded on 1 Byte and only first 256 blocks of ST25TV16K/64K can be addressed using this command.

**Table 128. Fast Read Single Block request format**

Request SOF	Request_flags	Fast Read Single Block	IC Mfg code	UID <sup>(1)</sup>	Block number	CRC16	Request EOF
-	8 bits	C0h	02h	64 bits	8 bits	16 bits	-

1. This field is optional.

Request parameters:

- Request flags
- UID (optional)
- Block number

**Table 129. Fast Read Single Block response format when Error\_flag is NOT set**

Response SOF	Response_flags	Block security status <sup>(1)</sup>	Data	CRC16	Response EOF
-	8 bits	8 bits	32 bits	16 bits	-

1. This field is optional.

Response parameters:

- Block security status if Option\_flag is set (see [Table 130. Block security status](#))
- Four bytes of block data

**Table 130. Block security status**

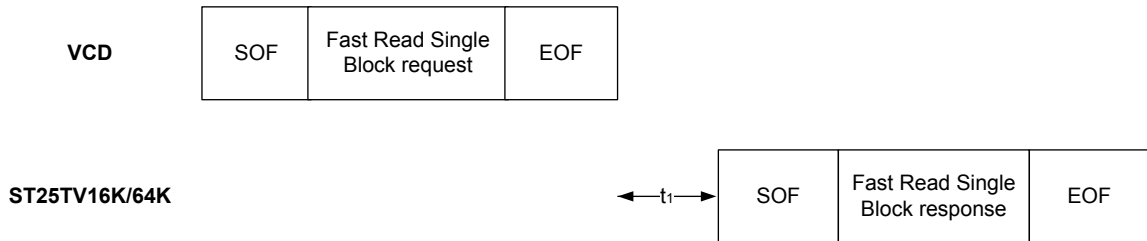
b <sub>7</sub>	b <sub>6</sub>	b <sub>5</sub>	b <sub>4</sub>	b <sub>3</sub>	b <sub>2</sub>	b <sub>1</sub>	b <sub>0</sub>
Reserved for future use							0: Current Block not locked
All at 0							1: Current Block locked

**Table 131. Fast Read Single Block response format when Error\_flag is set**

Response SOF	Response_flags	Error code	CRC16	Response EOF
-	8 bits	8 bits	16 bits	-

Response parameter:

- Error code as Error\_flag is set:
  - 02h: command not recognized
  - 03h: command option not supported
  - 0Fh: error with no information given
  - 10h: the specified block is not available
  - 15h: the specified block is read-protected

**Figure 33. Fast Read Single Block frame exchange between VCD and ST25TV16K/64K**


### 6.4.31 Fast Extended Read Single Block

On receiving the Fast Extended Read Single Block command, the ST25TV16K/64K reads the requested block and sends back its 32-bit value in the response. When the Option\_flag is set, the response includes the Block Security Status. The data rate of the response is multiplied by 2.

The subcarrier\_flag should be set to 0, otherwise the ST25TV16K/64K answers with an error code.

The Inventory\_flag must be set to 0.

Block number is coded on 2 Bytes so all memory blocks of ST25TV16K/64K can be addressed using this command

**Table 132. Fast Extended Read Single Block request format**

Request SOF	Request_flags	Fast Extended Read Single Block	IC Mfg code	UID <sup>(1)</sup>	Block number	CRC16	Request EOF
-	8 bits	C4h	02h	64 bits	16 bits	16 bits	-

1. This field is optional.

Request parameters:

- Request flags
- UID (optional)
- Block number (from LSB byte to MSB byte)

**Table 133. Fast Extended Read Single Block response format when Error\_flag is NOT set**

Response SOF	Response_flags	Block security status <sup>(1)</sup>	Data	CRC16	Response EOF
-	8 bits	8 bits	32 bits	16 bits	-

1. This field is optional.

Response parameters:

- Block security status if Option\_flag is set (see [Table 130. Block security status](#))
- Four bytes of block data

**Table 134. Block security status**

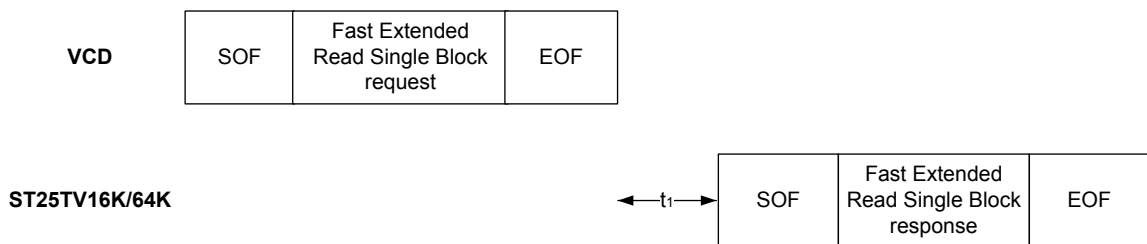
b <sub>7</sub>	b <sub>6</sub>	b <sub>5</sub>	b <sub>4</sub>	b <sub>3</sub>	b <sub>2</sub>	b <sub>1</sub>	b <sub>0</sub>
Reserved for future use						0: Current Block not locked	
All at 0						1: Current Block locked	

**Table 135. Fast Extended Read Single Block response format when Error\_flag is set**

Response SOF	Response_flags	Error code	CRC16	Response EOF
-	8 bits	8 bits	16 bits	-

Response parameter:

- Error code as Error\_flag is set:
  - 02h: command not recognized
  - 03h: command option not supported
  - 0Fh: error with no information given
  - 10h: the specified block is not available
  - 15h: the specified block is read-protected

**Figure 34. Fast Extended Read Single Block frame exchange between VCD and ST25TV16K/64K**


### 6.4.32 Fast Read Multiple Blocks

On receiving the Fast Read Multiple Blocks command, the ST25TV16K/64K reads the selected blocks and sends back their value in multiples of 32 bits in the response. The blocks are numbered from 00h up to the last block of user memory in the request, and the value is minus one (-1) in the field. For example, if the “Number of blocks” field contains the value 06h, seven blocks are read. The maximum number of blocks is fixed to 256 assuming that they are all located in the same area. If the number of blocks overlaps area or overlap the end of user memory, the ST25TV16K/64K returns an error code.

The Inventory\_flag must be set to 0.

When the Option\_flag is set, the response includes the Block Security Status. The data rate of the response is multiplied by 2.

The subcarrier\_flag should be set to 0, otherwise the ST25TV16K/64K answers with an error code.

Block number is coded on 1 Byte and only first 256 blocks of ST25TV16K/64K can be addressed using this command.

**Table 136. Fast Read Multiple Block request format**

Request SOF	Request_flags	Fast Read Multiple Block	IC Mfg code	UID <sup>(1)</sup>	First block number	Number of blocks	CRC16	Request EOF
-	8 bits	C3h	02h	64 bits	8 bits	8 bits	16 bits	-

1. This field is optional.

Request parameters:

- Request flag
- UID (Optional)
- First block number (from LSB byte to MSB byte)

- Number of blocks (from LSB byte to MSB byte)

**Table 137. Fast Read Multiple Block response format when Error\_flag is NOT set**

Response SOF	Response_flags	Block security status <sup>(1)</sup>	Data	CRC16	Response EOF
-	8 bits	8 bits <sup>(2)</sup>	32 bits <sup>(2)</sup>	16 bits	-

1. This field is optional.

2. Repeated as needed.

Response parameters:

- Block security status if Option\_flag is set (see Table 138. Block security status if Option\_flag is set)
- N block of data

**Table 138. Block security status if Option\_flag is set**

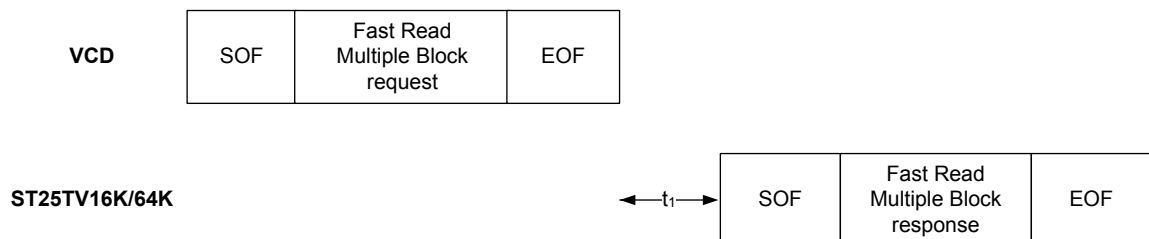
b <sub>7</sub>	b <sub>6</sub>	b <sub>5</sub>	b <sub>4</sub>	b <sub>3</sub>	b <sub>2</sub>	b <sub>1</sub>	b <sub>0</sub>
Reserved for future use All at 0							0: Current not locked 1: Current locked

**Table 139. Fast Read Multiple Block response format when Error\_flag is set**

Response SOF	Response_flags	Error code	CRC16	Response EOF
-	8 bits	8 bits	16 bits	-

Response parameter:

- Error code as Error\_flag is set:
  - 02h: command not recognized
  - 0Fh: error with no information given
  - 03h: the option is not supported
  - 10h: block address not available
  - 15h: block read-protected

**Figure 35. Fast Read Multiple Block frame exchange between VCD and ST25TV16K/64K**


### 6.4.33 Fast Extended Read Multiple Block

On receiving the Fast Extended Read Multiple Block command, the ST25TV16K/64K reads the selected blocks and sends back their value in multiples of 32 bits in the response. The blocks are numbered from 00h to up to the last block of memory in the request and the value is minus one (-1) in the field. For example, if the "Number of blocks" field contains the value 06h, seven blocks are read. The maximum number of blocks is fixed to 2047 assuming that they are all located in the same area. If the number of blocks overlaps several areas or overlaps the end of user memory, the ST25TV16K/64K returns an error code.

When the Option\_flag is set, the response includes the Block Security Status. The data rate of the response is multiplied by 2.

The subcarrier\_flag should be set to 0, otherwise the ST25TV16K/64K answers with an error code.

The Inventory\_flag must be set to 0.

Block number is coded on 2 Bytes so all memory blocks of ST25TV16K/64K can be addressed using this command.

**Table 140. Fast Extended Read Multiple Block request format**

Request SOF	Request_flags	Fast Extended Read Multiple Block	IC Mfg code	UID <sup>(1)</sup>	First block number	Block Number	CRC16	Request EOF
-	8 bits	C5h	02h	64 bits	16 bits	16 bits	16 bits	-

1. This field is optional.

Request parameters:

- Request flag
- UID (Optional)
- First block number (from LSB byte to MSB byte)
- Number of blocks (from LSB byte to MSB byte)

**Table 141. Fast Extended Read Multiple Block response format when Error\_flag is NOT set**

Response SOF	Response_flags	Block security status <sup>(1)</sup>	Data	CRC16	Response EOF
-	8 bits	8 bits <sup>(2)</sup>	32 bits <a href="#">Table 142. Block security status if Option_flag is set</a>	16 bits	-

1. This field is optional.

2. Repeated as needed.

Response parameters:

- Block security status if Option\_flag is set (see [Table 138. Block security status if Option\\_flag is set](#))
- N block of data

**Table 142. Block security status if Option\_flag is set**

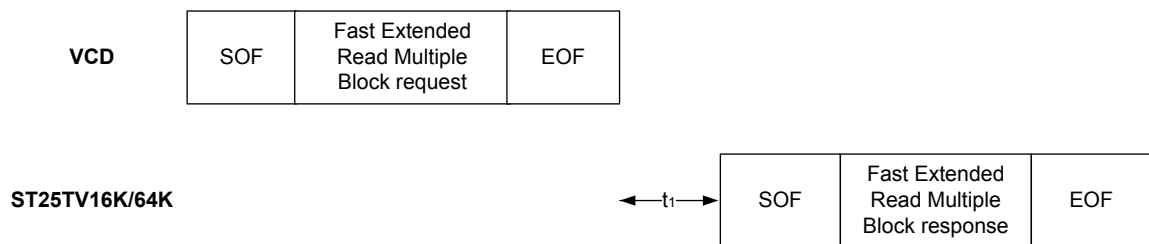
b <sub>7</sub>	b <sub>6</sub>	b <sub>5</sub>	b <sub>4</sub>	b <sub>3</sub>	b <sub>2</sub>	b <sub>1</sub>	b <sub>0</sub>
Reserved for future use All at 0							0: Current not locked 1: Current locked

**Table 143. Fast Read Multiple Block response format when Error\_flag is set**

Response SOF	Response_flags	Error code	CRC16	Response EOF
-	8 bits	8 bits	16 bits	-

Response parameter:

- Error code as Error\_flag is set:
  - 02h: command not recognized
  - 03h: the option is not supported
  - 0Fh: error with no information given
  - 10h: block address not available
  - 15h: block read-protected

**Figure 36. Fast Extended Read Multiple Block frame exchange between VCD and ST25TV16K/64K**




## 7 Unique identifier (UID)

The ST25TV16K/64K is uniquely identified by a 64-bit unique identifier (UID). This UID complies with ISO/IEC 15963 and ISO/IEC 7816-6. The UID is a read-only code and comprises:

- eight MSBs with a value of E0h,
- the IC manufacturer code “ST 02h” on 8 bits (ISO/IEC 7816-6/AM1),
- a unique serial number on 48 bits.

**Table 144. UID format**

MSB				LSB			
63	56	55	48	47	40	40	0
0xE0		0x02		ST product code <sup>(1)</sup>		Unique serial number	

1. See [Table 27. UID for ST product code value definition.](#)

With the UID, each ST25TV16K/64K can be addressed uniquely and individually during the anticollision loop and for one-to-one exchanges between a VCD and an ST25TV16K/64K.

## 8 Device parameters

### 8.1 Maximum rating

Stressing the device above the rating listed in [Table 145. Absolute maximum ratings](#) may cause permanent damage to the device. These are stress ratings only and operation of the device, at these or any other conditions above those indicated in the operating sections of this specification, is not implied. Exposure to absolute maximum rating conditions for extended periods may affect the device reliability. Refer also to the STMicroelectronics SURE Program and other relevant quality documents.

**Table 145. Absolute maximum ratings**

Symbol	Parameter		Min.	Max.	Unit
$T_A$	Ambient operating temperature		- 40	85	°C
$T_{STG}$	Storage Temperature	Sawn wafer on UV tape kept in its original packing form	15	25	°C
$t_{STG}$	Retain		-	9 <sup>(1)</sup>	months
$V_{MAX\_1}$ <sup>(2)</sup>	RF input voltage amplitude peak to peak between AC0 and AC1, $V_{SS}$ pin left floating	$V_{AC0} - V_{AC1}$	-	11	V
$V_{ESD}$	Electrostatic discharge voltage <sup>(3)</sup> (human body model)	All pins	-	2000	V

1. Counted from ST production date.
2. Based on characterization, not tested in production.
3. ANSI/ESDA/JEDEC JS-001-2012,  $C = 100 \text{ pF}$ ,  $R = 1500 \text{ } \Omega$ ,  $R2 = 500 \text{ } \Omega$

## 8.2 RF electrical parameters

This section summarizes the operating and measurement conditions, and the DC and AC characteristics of the device in RF mode.

The parameters in the DC and AC characteristics tables that follow are derived from tests performed under the Measurement Conditions summarized in the relevant tables. Designers should check that the operating conditions in their circuit match the measurement conditions when relying on the quoted parameters.

**Table 146. RF characteristics**

Symbol	Parameter	Condition	Min	Typ	Max	Unit
$f_{CC}$	External RF signal frequency		13.553	13.56	13.567	MHz
H_ISO	Operational field according to ISO	$T_A = -40^{\circ}\text{C}$ to $85^{\circ}\text{C}$	150	-	5000	mA/m
MI <sub>CARRIER</sub>	10% carrier modulation index $MI = (A-B)/(A+B)$	$150 \text{ mA/m} > H\_ISO > 1000 \text{ mA/m}$	10	-	30	%
	100% carrier modulation index	$MI = (A-B)/(A+B)$ <sup>(2)</sup>	95	-	100	
$t_{MIN\ CD}$	Minimum time from carrier generation to first data	From H-field min	-	-	1	ms
$f_{SH}$	Subcarrier frequency high	$F_{CC}/32$	-	423.75	-	kHz
$f_{SL}$	Subcarrier frequency low	$F_{CC}/28$	-	484.28	-	kHz
$t_1$	Time for ST25TV16K/64K response	$4352/F_C$	318.6	320.9	323.3	$\mu\text{s}$
$t_2$	Time between commands	$4192/F_C$	309	311.5	314	$\mu\text{s}$
$t_3$	Time between commands	$4384/F_C$	323.3	-	-	$\mu\text{s}$
W <sub>t_Block</sub>	RF User memory write time (including internal Verify) <sup>(3)</sup>	1 Block	-	5.2	-	ms
		4 Blocks	-	19.7	-	ms
W <sub>t_Byte</sub>	RF system memory write time including internal Verify <sup>(3)</sup>	1 Byte	-	4.9	-	ms
C <sub>TUN_</sub> 23.5pF	Internal tuning capacitor in SO8 <sup>(4)</sup>	$f = 13.56 \text{ MHz}$	26.5	28.5	30.5	pF
V <sub>BACK</sub> <sup>(4)</sup>	Backscattered level as defined by ISO test	-	10	-	-	mV
V <sub>MIN_1</sub> <sup>(1)</sup>	RF input voltage amplitude between AC0 and AC1, V <sub>AC0</sub> -V <sub>AC1</sub> peak to peak <sup>(1)</sup>	Inventory and Read operations	-	4.8	-	Vpkpk
		Write operations	-	5.25	-	Vpkpk
t <sub>BootRF</sub>	-	Set up time	-	0.6	-	ms
t <sub>RF_OFF</sub>	RF OFF time	Chip reset	2	-	-	ms

1. Characterized on bench.

2. Characterized at room temperature only, on wafer at POR Level.

3. For VCD request coded in 1 out of 4 and ST25TV16K/64K response in high data rate, single sub carrier.

4. The tuning capacitance value is measured with ST characterization equipment at chip Power On Reset. This value is used as reference for antenna design. Minimum and Maximum values come from correlation with industrial tester limits.

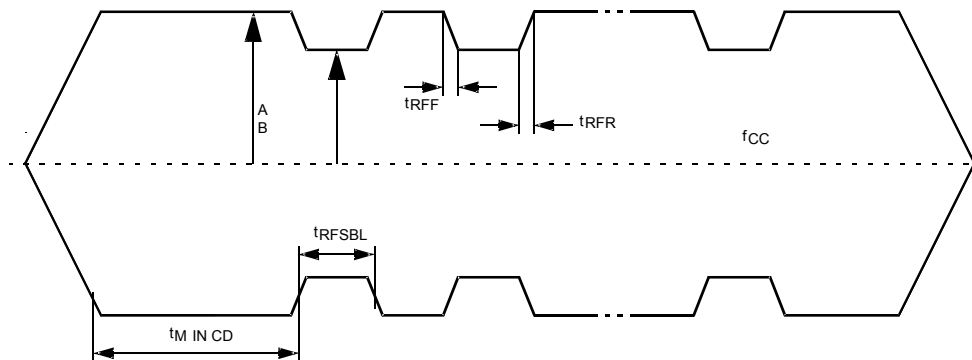
**Table 147. Operating conditions**

Symbol	Parameter	Min.	Max.	Unit
T <sub>A</sub>	Ambient operating temperature	- 40	85	$^{\circ}\text{C}$

Figure 37. ASK modulated signal shows an ASK modulated signal from the VCD to the ST25TV16K/64K. The test conditions for the AC/DC parameters are:

- Close coupling condition with tester antenna (1 mm)
- ST25TV16K/64K performance measured at the tag antenna
- ST25TV16K/64K synchronous timing, transmit and receive

**Figure 37. ASK modulated signal**



## 9 Ordering information

**Table 148. Ordering information scheme**

Example:	ST25TV	64K-	A	P	6	G	3
<b>Device type</b>	ST25TV = NFC/RFID tag based on ISO 15693 and NFC T5T						
<b>Memory size</b>	16K = 16 Kbits 64K = 64 Kbits						
<b>Interface</b>	A = None						
<b>Features</b>	P = Password as option						
<b>Device grade</b>	6 = industrial: device tested with standard test flow over - 40 to 85 °C						
<b>Package</b>	G = 120um +/- 15 um bumped sawn wafer						
<b>Capacitance</b>	3 = 28.5 pF						

**Note:** *Parts marked as “ES” or “E” are not yet qualified and therefore not approved for use in production. ST is not responsible for any consequences resulting from such use. In no event will ST be liable for the customer using any of these engineering samples in production. ST’s Quality department must be contacted prior to any decision to use these engineering samples to run a qualification activity.*

## A Bit representation and coding for fast commands

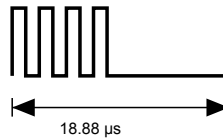
Data bits are encoded using Manchester coding, according to the following schemes. For the low data rate, same subcarrier frequency or frequencies is/are used. In this case, the number of pulses is multiplied by 4 and all times increase by this factor. For the Fast commands using one subcarrier, all pulse numbers and times are divided by 2.

### A.1 Bit coding using one subcarrier

#### A.1.1 High data rate

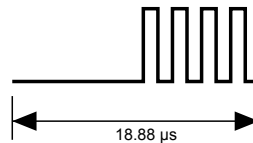
For the fast commands, a logic 0 starts with four pulses at 423.75 kHz ( $f_C/32$ ) followed by an unmodulated time of 9.44  $\mu\text{s}$ , as shown in Figure 38.

**Figure 38. Logic 0, high data rate, fast commands**



For the Fast commands, a logic 1 starts with an unmodulated time of 9.44  $\mu\text{s}$  followed by four pulses of 423.75 kHz ( $f_C/32$ ), as shown in Figure 39.

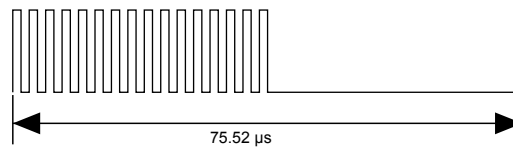
**Figure 39. Logic 1, high data rate, fast commands**



#### A.1.2 Low data rate

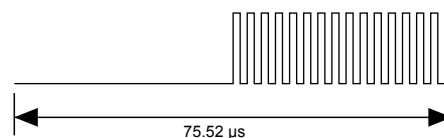
For the Fast commands, a logic 0 starts with 16 pulses at 423.75 kHz ( $f_C/32$ ) followed by an unmodulated time of 37.76  $\mu\text{s}$ , as shown in Figure 40.

**Figure 40. Logic 0, low data rate, fast commands**



For the Fast commands, a logic 1 starts with an unmodulated time of 37.76  $\mu\text{s}$  followed by 16 pulses at 423.75 kHz ( $f_C/32$ ), as shown in Figure 41.

**Figure 41. Logic 1, low data rate, fast commands**



*Note:* For fast commands, bit coding using two subcarriers is not supported.

## A.2 VICC to VCD frames

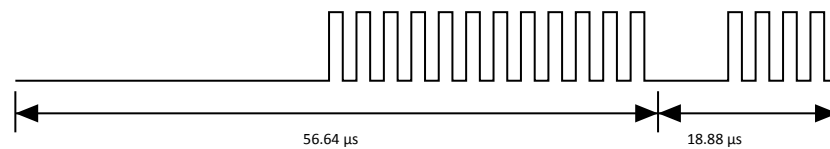
Frames are delimited by an SOF and an EOF. They are implemented using code violation. Unused options are reserved for future use. For the low data rate, the same subcarrier frequency or frequencies is/are used. In this case, the number of pulses is multiplied by 4. For the Fast commands using one subcarrier, all pulse numbers and times are divided by 2.

## A.3 SOF when using one subcarrier

### A.3.1 High data rate

For the Fast commands, the SOF comprises an unmodulated time of 28.32  $\mu\text{s}$ , followed by 12 pulses at 423.75 kHz ( $f_C/32$ ), and a logic 1 that consists of an unmodulated time of 9.44  $\mu\text{s}$  followed by four pulses at 423.75 kHz, as shown in Figure 42. *Start of frame, high data rate, one subcarrier, fast commands.*

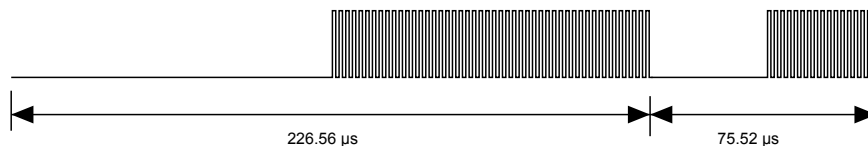
**Figure 42. Start of frame, high data rate, one subcarrier, fast commands**



### A.3.2 Low data rate

For the Fast commands, the SOF comprises an unmodulated time of 113.28  $\mu\text{s}$ , followed by 48 pulses at 423.75 kHz ( $f_C/32$ ), and a logic 1 that includes an unmodulated time of 37.76  $\mu\text{s}$  followed by 16 pulses at 423.75 kHz, as shown in Figure 43.

**Figure 43. Start of frame, low data rate, one subcarrier, fast commands**

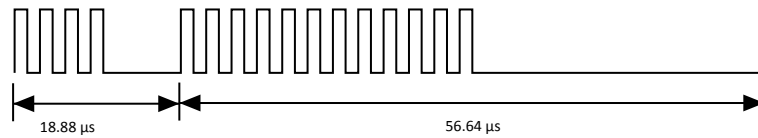


## A.4 EOF when using one subcarrier

### A.4.1 High data rate

For the Fast commands, the EOF comprises a logic 0 that includes four pulses at 423.75 kHz and an unmodulated time of 9.44  $\mu\text{s}$ , followed by 12 pulses at 423.75 kHz ( $f_C/32$ ) and an unmodulated time of 37.76  $\mu\text{s}$ , as shown in Figure 44.

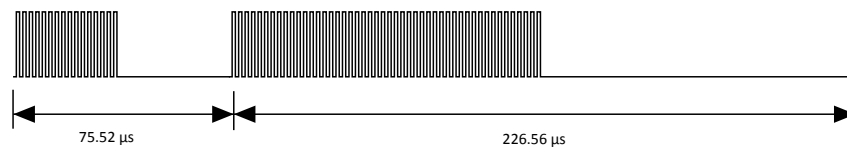
**Figure 44. End of frame, high data rate, one subcarrier, fast commands**



### A.4.2 Low data rate

For the Fast commands, the EOF comprises a logic 0 that includes 16 pulses at 423.75 kHz and an unmodulated time of 37.76  $\mu\text{s}$ , followed by 48 pulses at 423.75 kHz ( $f_C/32$ ) and an unmodulated time of 113.28  $\mu\text{s}$ , as shown in Figure 45.

**Figure 45. End of frame, low data rate, one subcarrier, fast commands**



*Note:* For SOF and EOF in fast commands, bit coding using two subcarriers is not supported.



## Revision history

**Table 149. Document revision history**

Date	Revision	Changes
27-Jan-2016	1	Initial release.
28-Apr-2016	2	Updated Figure 2: Memory sector organization and Figure 41: Stay Quiet frame exchange between VCD and ST25TV64K. Updated Table 27. UID. Updated Section 6.4.24 Get Multiple Block Security Status and Section 25.20: Fast Read Multiple Block.
11-Aug-2016	3	Added unsawn wafer option, hence updated Table 145. Absolute maximum ratings, Section 28: Ordering information and Table 148. Ordering information scheme. Updated Figure 36: ST25TV64K decision tree for AFI.
12-Apr-2017	4	Updated: <ul style="list-style-type: none"> <li>Features</li> <li>Section 1 Description</li> <li>Figure 1. ST25TV16K/64K block diagram</li> <li>Section 2 Signal descriptions</li> <li>Figure 2. ST25TV16K/64K RF power-up sequence</li> <li>Section 3 Power management</li> <li>Section 4 Memory management</li> <li>Section 5 ST25TV16K/64K specific features</li> <li>Section 6 RF Operations</li> <li>Section 8 Device parameters</li> <li>Section 9 Ordering information</li> </ul>
30-Jun-2017	5	Updated: <ul style="list-style-type: none"> <li>Table 26. IC_REF</li> <li>Table 27. UID</li> <li>Table 94. Get System Info response format Error_flag is NOT set</li> <li>Table 101. Response other field: ST25TV16K/64K IC Ref</li> </ul>
05-Oct-2017	6	Updated: <ul style="list-style-type: none"> <li>Features</li> <li>Section 5.2.4 System memory protection</li> </ul> Added: <ul style="list-style-type: none"> <li>NFC certified logo</li> </ul>

Date	Revision	Changes
18-Jul-2018	7	Added ST25TV16K device Updated: <ul style="list-style-type: none"> <li>• <a href="#">Features</a></li> <li>• <a href="#">Section 1 Description</a></li> <li>• <a href="#">Section 4.2.1 User memory areas</a></li> <li>• <a href="#">Section 5.2.2 Passwords and security sessions</a></li> <li>• <a href="#">Section 6.4.28 Write Password</a></li> <li>• <a href="#">Figure 1. ST25TV16K/64K block diagram</a></li> <li>• <a href="#">Figure 3. Memory organization</a></li> <li>• <a href="#">Table 1. User memory as seen by RF</a></li> <li>• <a href="#">Table 2. Maximum user memory block addresses and ENDA<sub>i</sub> value</a></li> <li>• <a href="#">Table 4. ENDA1</a></li> <li>• <a href="#">Table 5. ENDA2</a></li> <li>• <a href="#">Table 6. ENDA3</a></li> <li>• <a href="#">Table 24. MEM_SIZE</a></li> <li>• <a href="#">Table 100. Response other field: ST25TV16K/64K VICC memory size</a></li> <li>• <a href="#">Table 148. Ordering information scheme</a></li> </ul>
14-Sep-2018	8	Updated: <ul style="list-style-type: none"> <li>• <a href="#">Table 94. Get System Info response format Error_flag is NOT set</a></li> <li>• <a href="#">Section A.2 VICC to VCD frames</a></li> </ul>

## Contents

<b>1</b>	<b>Description</b> .....	<b>2</b>
1.1	block diagram .....	2
<b>2</b>	<b>Signal descriptions</b> .....	<b>3</b>
2.1	Antenna coil (AC0, AC1) .....	3
<b>3</b>	<b>Power management</b> .....	<b>4</b>
3.1	Device set .....	4
3.2	Device reset .....	4
<b>4</b>	<b>Memory management</b> .....	<b>5</b>
4.1	Memory organization overview .....	5
4.2	User memory .....	5
4.2.1	User memory areas .....	6
4.3	System configuration area .....	10
<b>5</b>	<b>ST25TV16K/64K specific features</b> .....	<b>12</b>
5.1	Kill feature .....	12
5.1.1	Kill register .....	12
5.1.2	Kill mode description .....	12
5.2	Data Protection .....	13
5.2.1	Data protection registers .....	13
5.2.2	Passwords and security sessions .....	18
5.2.3	User memory protection .....	19
5.2.4	System memory protection .....	20
5.3	Device Parameter Registers .....	21
<b>6</b>	<b>RF Operations</b> .....	<b>24</b>
6.1	RF communication .....	24
6.1.1	Access to a ISO/IEC 15693 device .....	24
6.2	RF protocol description .....	24
6.2.1	Protocol description .....	24
6.2.2	ST25TV16K/64K states referring to protocol .....	25
6.2.3	Modes .....	26

6.2.4	Request format . . . . .	27
6.2.5	Request flags . . . . .	27
6.2.6	Response format. . . . .	28
6.2.7	Response flags . . . . .	29
6.2.8	Response and error code . . . . .	29
<b>6.3</b>	<b>Timing definition . . . . .</b>	<b>30</b>
<b>6.4</b>	<b>RF Commands . . . . .</b>	<b>31</b>
6.4.1	RF command code list . . . . .	31
6.4.2	Command codes list . . . . .	32
6.4.3	General Command Rules . . . . .	32
6.4.4	Inventory . . . . .	32
6.4.5	Stay Quiet . . . . .	33
6.4.6	Read Single Block. . . . .	34
6.4.7	Extended Read Single Block. . . . .	35
6.4.8	Write Single Block . . . . .	36
6.4.9	Extended Write Single Block. . . . .	38
6.4.10	Lock block. . . . .	39
6.4.11	Extended Lock block. . . . .	40
6.4.12	Read Multiple Blocks. . . . .	41
6.4.13	Extended Read Multiple Blocks. . . . .	43
6.4.14	Write Multiple Blocks. . . . .	44
6.4.15	Extended Write Multiple Blocks. . . . .	46
6.4.16	Select . . . . .	47
6.4.17	Reset to Ready . . . . .	48
6.4.18	Write AFI . . . . .	49
6.4.19	Lock AFI . . . . .	50
6.4.20	Write DSFID . . . . .	51
6.4.21	Lock DSFID . . . . .	53
6.4.22	Get System Info . . . . .	54
6.4.23	Extended Get System Info . . . . .	55
6.4.24	Get Multiple Block Security Status . . . . .	59
6.4.25	Extended Get Multiple Block Security Status . . . . .	60

6.4.26	Read Configuration . . . . .	62
6.4.27	Write Configuration . . . . .	62
6.4.28	Write Password . . . . .	64
6.4.29	Present Password . . . . .	65
6.4.30	Fast Read Single Block . . . . .	66
6.4.31	Fast Extended Read Single Block . . . . .	68
6.4.32	Fast Read Multiple Blocks . . . . .	69
6.4.33	Fast Extended Read Multiple Block . . . . .	71
<b>7</b>	<b>Unique identifier (UID) . . . . .</b>	<b>73</b>
<b>8</b>	<b>Device parameters . . . . .</b>	<b>74</b>
8.1	Maximum rating . . . . .	74
8.2	RF electrical parameters . . . . .	75
<b>9</b>	<b>Ordering information . . . . .</b>	<b>77</b>
<b>A</b>	<b>Appendice A . . . . .</b>	<b>78</b>
A.1	Bit coding using one subcarrier . . . . .	78
A.1.1	High data rate . . . . .	78
A.1.2	Low data rate . . . . .	78
A.2	VICC to VCD frames . . . . .	79
A.3	SOF when using one subcarrier . . . . .	79
A.3.1	High data rate . . . . .	79
A.3.2	Low data rate . . . . .	79
A.4	EOF when using one subcarrier . . . . .	80
A.4.1	High data rate . . . . .	80
A.4.2	Low data rate . . . . .	80
	<b>Revision history . . . . .</b>	<b>81</b>
	<b>Contents . . . . .</b>	<b>83</b>
	<b>List of tables . . . . .</b>	<b>86</b>
	<b>List of figures . . . . .</b>	<b>89</b>

## List of tables

<b>Table 1.</b>	User memory as seen by RF . . . . .	6
<b>Table 2.</b>	Maximum user memory block addresses and ENDA <sub>i</sub> value . . . . .	7
<b>Table 3.</b>	Areas and limit calculation from ENDA <sub>i</sub> registers . . . . .	8
<b>Table 4.</b>	ENDA1 . . . . .	9
<b>Table 5.</b>	ENDA2 . . . . .	10
<b>Table 6.</b>	ENDA3 . . . . .	10
<b>Table 7.</b>	System configuration memory map . . . . .	11
<b>Table 8.</b>	KILL . . . . .	12
<b>Table 9.</b>	A1SS . . . . .	13
<b>Table 10.</b>	A2SS . . . . .	14
<b>Table 11.</b>	A3SS . . . . .	14
<b>Table 12.</b>	A4SS . . . . .	15
<b>Table 13.</b>	LOCK_CCFILE . . . . .	15
<b>Table 14.</b>	LOCK_CFG . . . . .	16
<b>Table 15.</b>	PWD_0 . . . . .	16
<b>Table 16.</b>	PWD_1 . . . . .	16
<b>Table 17.</b>	PWD_2 . . . . .	17
<b>Table 18.</b>	PWD_3 . . . . .	17
<b>Table 19.</b>	Security session type . . . . .	18
<b>Table 20.</b>	LOCK_DSFD . . . . .	21
<b>Table 21.</b>	LOCK_AFI . . . . .	21
<b>Table 22.</b>	DSFD . . . . .	21
<b>Table 23.</b>	AFI . . . . .	22
<b>Table 24.</b>	MEM_SIZE . . . . .	22
<b>Table 25.</b>	BLK_SIZE . . . . .	22
<b>Table 26.</b>	IC_REF . . . . .	22
<b>Table 27.</b>	UID . . . . .	23
<b>Table 28.</b>	response depending on Request_flags . . . . .	26
<b>Table 29.</b>	General request format . . . . .	27
<b>Table 30.</b>	Definition of request flags 1 to 4 . . . . .	27
<b>Table 31.</b>	Request flags 5 to 8 when inventory_flag, Bit 3 = 0 . . . . .	28
<b>Table 32.</b>	Request flags 5 to 8 when inventory_flag, Bit 3 = 1 . . . . .	28
<b>Table 33.</b>	General response format . . . . .	28
<b>Table 34.</b>	Definitions of response flags 1 to 8 . . . . .	29
<b>Table 35.</b>	Response error code definition . . . . .	29
<b>Table 36.</b>	Timing values . . . . .	30
<b>Table 37.</b>	Command codes . . . . .	32
<b>Table 38.</b>	Inventory request format . . . . .	33
<b>Table 39.</b>	Inventory response format . . . . .	33
<b>Table 40.</b>	Stay Quiet request format . . . . .	34
<b>Table 41.</b>	Read Single Block request format . . . . .	34
<b>Table 42.</b>	Read Single Block response format when Error_flag is NOT set . . . . .	34
<b>Table 43.</b>	Block security status . . . . .	35
<b>Table 44.</b>	Read Single Block response format when Error_flag is set . . . . .	35
<b>Table 45.</b>	Extended Read Single Block request format . . . . .	35
<b>Table 46.</b>	Extended Read Single Block response format when Error_flag is NOT set . . . . .	36
<b>Table 47.</b>	Block security status . . . . .	36
<b>Table 48.</b>	Extended Read Single Block response format when Error_flag is set . . . . .	36
<b>Table 49.</b>	Write Single Block request format . . . . .	37
<b>Table 50.</b>	Write Single Block response format when Error_flag is NOT set . . . . .	37
<b>Table 51.</b>	Write Single Block response format when Error_flag is set . . . . .	37

<b>Table 52.</b>	Extended Write Single request format . . . . .	38
<b>Table 53.</b>	Extended Write Single response format when Error_flag is NOT set . . . . .	38
<b>Table 54.</b>	Extended Write Single response format when Error_flag is set . . . . .	39
<b>Table 55.</b>	Lock block request format . . . . .	39
<b>Table 56.</b>	Lock block response format when Error_flag is NOT set . . . . .	40
<b>Table 57.</b>	Lock single block response format when Error_flag is set . . . . .	40
<b>Table 58.</b>	Extended Lock block request format . . . . .	41
<b>Table 59.</b>	Extended Lock block response format when Error_flag is NOT set . . . . .	41
<b>Table 60.</b>	Extended Lock block response format when Error_flag is set . . . . .	41
<b>Table 61.</b>	Read Multiple Block request format . . . . .	42
<b>Table 62.</b>	Read Multiple Block response format when Error_flag is NOT set . . . . .	42
<b>Table 63.</b>	Block security status. . . . .	42
<b>Table 64.</b>	Read Multiple Block response format when Error_flag is set . . . . .	42
<b>Table 65.</b>	Extended Read Multiple Block request format . . . . .	43
<b>Table 66.</b>	Extended Read Multiple Block response format when Error_flag is NOT set . . . . .	43
<b>Table 67.</b>	Block security status. . . . .	44
<b>Table 68.</b>	Extended Read Multiple Block response format when Error_flag is set . . . . .	44
<b>Table 69.</b>	Write Multiple Block request format . . . . .	45
<b>Table 70.</b>	Write Multiple Block response format when Error_flag is NOT set. . . . .	45
<b>Table 71.</b>	Write Multiple Block response format when Error_flag is set . . . . .	45
<b>Table 72.</b>	Extended Write Multiple Block request format . . . . .	46
<b>Table 73.</b>	Extended Write Multiple Block response format when Error_flag is NOT set . . . . .	46
<b>Table 74.</b>	Extended Write Multiple Block response format when Error_flag is set . . . . .	47
<b>Table 75.</b>	Select request format . . . . .	47
<b>Table 76.</b>	Select Block response format when Error_flag is NOT set . . . . .	48
<b>Table 77.</b>	Select response format when Error_flag is set . . . . .	48
<b>Table 78.</b>	Reset to Ready request format . . . . .	48
<b>Table 79.</b>	Reset to Ready response format when Error_flag is NOT set. . . . .	49
<b>Table 80.</b>	Reset to ready response format when Error_flag is set . . . . .	49
<b>Table 81.</b>	Write AFI request format . . . . .	49
<b>Table 82.</b>	Write AFI response format when Error_flag is NOT set . . . . .	50
<b>Table 83.</b>	Write AFI response format when Error_flag is set. . . . .	50
<b>Table 84.</b>	Lock AFI request format . . . . .	51
<b>Table 85.</b>	Lock AFI response format when Error_flag is NOT set . . . . .	51
<b>Table 86.</b>	Lock AFI response format when Error_flag is set . . . . .	51
<b>Table 87.</b>	Write DSFID request format . . . . .	52
<b>Table 88.</b>	Write DSFID response format when Error_flag is NOT set. . . . .	52
<b>Table 89.</b>	Write DSFID response format when Error_flag is set . . . . .	52
<b>Table 90.</b>	Lock DSFID request format . . . . .	53
<b>Table 91.</b>	Lock DSFID response format when Error_flag is NOT set . . . . .	53
<b>Table 92.</b>	Lock DSFID response format when Error_flag is set. . . . .	53
<b>Table 93.</b>	Get System Info request format . . . . .	54
<b>Table 94.</b>	Get System Info response format Error_flag is NOT set . . . . .	54
<b>Table 95.</b>	Get System Info response format when Error_flag is set . . . . .	55
<b>Table 96.</b>	Extended Get System Info request format . . . . .	55
<b>Table 97.</b>	Parameter request list . . . . .	55
<b>Table 98.</b>	Extended Get System Info response format when Error_flag is NOT set . . . . .	56
<b>Table 99.</b>	Response Information Flag . . . . .	56
<b>Table 100.</b>	Response other field: ST25TV16K/64K VICC memory size . . . . .	57
<b>Table 101.</b>	Response other field: ST25TV16K/64K IC Ref. . . . .	57
<b>Table 102.</b>	Response other field: ST25TV16K/64K VICC command list. . . . .	57
<b>Table 103.</b>	Response other field: ST25TV16K/64K VICC command list Byte 1. . . . .	57
<b>Table 104.</b>	Response other field: ST25TV16K/64K VICC command list Byte 2. . . . .	58
<b>Table 105.</b>	Response other field: ST25TV16K/64K VICC command list Byte 3. . . . .	58

<b>Table 106.</b>	Response other field: ST25TV16K/64K VICC command list Byte 4 . . . . .	58
<b>Table 107.</b>	Extended Get System Info response format when Error_flag is set . . . . .	58
<b>Table 108.</b>	Get Multiple Block Security Status request format . . . . .	59
<b>Table 109.</b>	Get Multiple Block Security Status response format when Error_flag is NOT set . . . . .	59
<b>Table 110.</b>	Block security status. . . . .	60
<b>Table 111.</b>	Get Multiple Block Security Status response format when Error_flag is set . . . . .	60
<b>Table 112.</b>	Extended Get Multiple Block Security Status request format . . . . .	60
<b>Table 113.</b>	Extended Get Multiple Block Security Status response format when Error_flags NOT set . . . . .	61
<b>Table 114.</b>	Block security status. . . . .	61
<b>Table 115.</b>	Extended Get Multiple Block Security Status response format when Error_flag is set . . . . .	61
<b>Table 116.</b>	Read Configuration request format . . . . .	62
<b>Table 117.</b>	Read Configuration response format when Error_flag is NOT set . . . . .	62
<b>Table 118.</b>	Read Configuration response format when Error_flag is set . . . . .	62
<b>Table 119.</b>	Write Configuration request format . . . . .	63
<b>Table 120.</b>	Write Configuration response format when Error_flag is NOT set . . . . .	63
<b>Table 121.</b>	Write Configuration response format when Error_flag is set . . . . .	63
<b>Table 122.</b>	Write Password request format . . . . .	64
<b>Table 123.</b>	Write Password response format when Error_flag is NOT set . . . . .	65
<b>Table 124.</b>	Write Password response format when Error_flag is set . . . . .	65
<b>Table 125.</b>	Present Password request format . . . . .	66
<b>Table 126.</b>	Present Password response format when Error_flag is NOT set . . . . .	66
<b>Table 127.</b>	Present Password response format when Error_flag is set . . . . .	66
<b>Table 128.</b>	Fast Read Single Block request format . . . . .	67
<b>Table 129.</b>	Fast Read Single Block response format when Error_flag is NOT set . . . . .	67
<b>Table 130.</b>	Block security status. . . . .	67
<b>Table 131.</b>	Fast Read Single Block response format when Error_flag is set . . . . .	67
<b>Table 132.</b>	Fast Extended Read Single Block request format . . . . .	68
<b>Table 133.</b>	Fast Extended Read Single Block response format when Error_flag is NOT set . . . . .	68
<b>Table 134.</b>	Block security status. . . . .	68
<b>Table 135.</b>	Fast Extended Read Single Block response format when Error_flag is set . . . . .	69
<b>Table 136.</b>	Fast Read Multiple Block request format . . . . .	69
<b>Table 137.</b>	Fast Read Multiple Block response format when Error_flag is NOT set . . . . .	70
<b>Table 138.</b>	Block security status if Option_flag is set. . . . .	70
<b>Table 139.</b>	Fast Read Multiple Block response format when Error_flag is set . . . . .	70
<b>Table 140.</b>	Fast Extended Read Multiple Block request format . . . . .	71
<b>Table 141.</b>	Fast Extended Read Multiple Block response format when Error_flag is NOT set . . . . .	71
<b>Table 142.</b>	Block security status if Option_flag is set. . . . .	71
<b>Table 143.</b>	Fast Read Multiple Block response format when Error_flag is set . . . . .	72
<b>Table 144.</b>	UID format . . . . .	73
<b>Table 145.</b>	Absolute maximum ratings . . . . .	74
<b>Table 146.</b>	RF characteristics . . . . .	75
<b>Table 147.</b>	Operating conditions . . . . .	75
<b>Table 148.</b>	Ordering information scheme. . . . .	77
<b>Table 149.</b>	Document revision history . . . . .	81



## List of figures

<b>Figure 1.</b>	ST25TV16K/64K block diagram . . . . .	2
<b>Figure 2.</b>	ST25TV16K/64K RF power-up sequence . . . . .	4
<b>Figure 3.</b>	Memory organization . . . . .	5
<b>Figure 4.</b>	ST25TV16K/64K user memory areas . . . . .	7
<b>Figure 5.</b>	Security sessions management . . . . .	19
<b>Figure 6.</b>	ST25TV16K/64K protocol timing . . . . .	25
<b>Figure 7.</b>	ST25TV16K/64K state transition diagram . . . . .	26
<b>Figure 8.</b>	Stay Quiet frame exchange between VCD and ST25TV16K/64K . . . . .	34
<b>Figure 9.</b>	Read Single Block frame exchange between VCD and ST25TV16K/64K . . . . .	35
<b>Figure 10.</b>	Extended Read Single Block frame exchange between VCD and ST25TV16K/64K . . . . .	36
<b>Figure 11.</b>	Write Single Block frame exchange between VCD and ST25TV16K/64K . . . . .	38
<b>Figure 12.</b>	Extended Write Single frame exchange between VCD and ST25TV16K/64K . . . . .	39
<b>Figure 13.</b>	Lock single block frame exchange between VCD and ST25TV16K/64K . . . . .	40
<b>Figure 14.</b>	Extended Lock block frame exchange between VCD and ST25TV16K/64K . . . . .	41
<b>Figure 15.</b>	Read Multiple Block frame exchange between VCD and ST25TV16K/64K . . . . .	43
<b>Figure 16.</b>	Extended Read Multiple Block frame exchange between VCD and ST25TV16K/64K . . . . .	44
<b>Figure 17.</b>	Write Multiple Block frame exchange between VCD and ST25TV16K/64K . . . . .	46
<b>Figure 18.</b>	Extended Write Multiple Block frame exchange between VCD and ST25TV16K/64K . . . . .	47
<b>Figure 19.</b>	Select frame exchange between VCD and ST25TV16K/64K . . . . .	48
<b>Figure 20.</b>	Reset to Ready frame exchange between VCD and ST25TV16K/64K . . . . .	49
<b>Figure 21.</b>	Write AFI frame exchange between VCD and ST25TV16K/64K . . . . .	50
<b>Figure 22.</b>	Lock AFI frame exchange between VCD and ST25TV16K/64K . . . . .	51
<b>Figure 23.</b>	Write DSFID frame exchange between VCD and ST25TV16K/64K . . . . .	53
<b>Figure 24.</b>	Lock DSFID frame exchange between VCD and ST25TV16K/64K . . . . .	54
<b>Figure 25.</b>	Get System Info frame exchange between VCD and ST25TV16K/64K . . . . .	55
<b>Figure 26.</b>	Extended Get System Info frame exchange between VCD and ST25TV16K/64K . . . . .	59
<b>Figure 27.</b>	Get Multiple Block Security Status frame exchange between VCD and ST25TV16K/64K . . . . .	60
<b>Figure 28.</b>	Extended Get Multiple Block Security Status frame exchange between VCD and ST25TV16K/64K . . . . .	61
<b>Figure 29.</b>	Read Configuration frame exchange between VCD and ST25TV16K/64K . . . . .	62
<b>Figure 30.</b>	Write Configuration frame exchange between VCD and ST25TV16K/64K . . . . .	64
<b>Figure 31.</b>	Write Password frame exchange between VCD and ST25TV16K/64K . . . . .	65
<b>Figure 32.</b>	Present Password frame exchange between VCD and ST25TV16K/64K . . . . .	66
<b>Figure 33.</b>	Fast Read Single Block frame exchange between VCD and ST25TV16K/64K . . . . .	68
<b>Figure 34.</b>	Fast Extended Read Single Block frame exchange between VCD and ST25TV16K/64K . . . . .	69
<b>Figure 35.</b>	Fast Read Multiple Block frame exchange between VCD and ST25TV16K/64K . . . . .	70
<b>Figure 36.</b>	Fast Extended Read Multiple Block frame exchange between VCD and ST25TV16K/64K . . . . .	72
<b>Figure 37.</b>	ASK modulated signal . . . . .	76
<b>Figure 38.</b>	Logic 0, high data rate, fast commands . . . . .	78
<b>Figure 39.</b>	Logic 1, high data rate, fast commands . . . . .	78
<b>Figure 40.</b>	Logic 0, low data rate, fast commands . . . . .	78
<b>Figure 41.</b>	Logic 1, low data rate, fast commands . . . . .	78
<b>Figure 42.</b>	Start of frame, high data rate, one subcarrier, fast commands . . . . .	79
<b>Figure 43.</b>	Start of frame, low data rate, one subcarrier, fast commands . . . . .	79
<b>Figure 44.</b>	End of frame, high data rate, one subcarrier, fast commands . . . . .	80
<b>Figure 45.</b>	End of frame, low data rate, one subcarrier, fast commands . . . . .	80

**IMPORTANT NOTICE – PLEASE READ CAREFULLY**

STMicroelectronics NV and its subsidiaries (“ST”) reserve the right to make changes, corrections, enhancements, modifications, and improvements to ST products and/or to this document at any time without notice. Purchasers should obtain the latest relevant information on ST products before placing orders. ST products are sold pursuant to ST’s terms and conditions of sale in place at the time of order acknowledgement.

Purchasers are solely responsible for the choice, selection, and use of ST products and ST assumes no liability for application assistance or the design of Purchasers’ products.

No license, express or implied, to any intellectual property right is granted by ST herein.

Resale of ST products with provisions different from the information set forth herein shall void any warranty granted by ST for such product.

ST and the ST logo are trademarks of ST. All other product or service names are the property of their respective owners.

Information in this document supersedes and replaces information previously supplied in any prior versions of this document.

© 2018 STMicroelectronics – All rights reserved