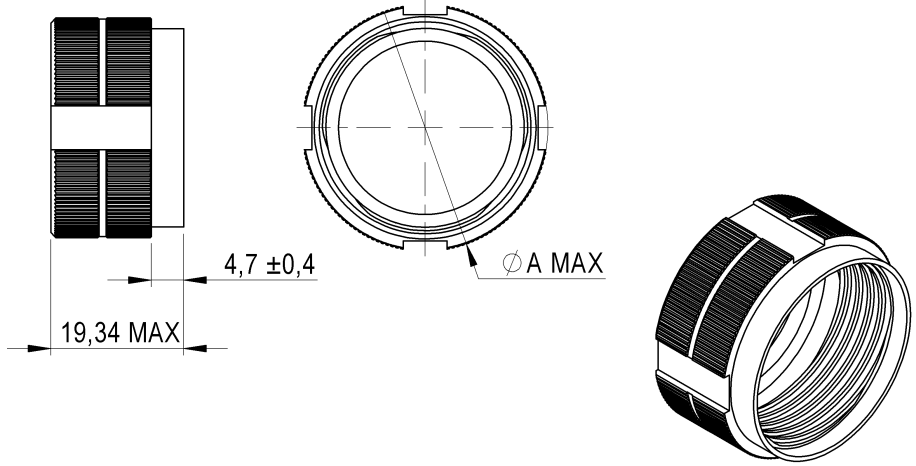


PAGE 1/1	ISSUE 2015/11/18	SERIES TOOL	PART NUMBER F780 725 110-XX
----------	------------------	-------------	------------------------------------

LOCK-NUTS FOR D38 999 SOCKETS #11 TO #25



Dimension: mm [Inch]

FEATURES:

- Lock-nuts D38 999 (following specification MIL-DTL-38999) permits to block visualization adapter (F780 725 1XX) for Luxcis® termini in a D38 socket.
- The range provides all sizes from size 11 to size 25.

CHARACTERISTICS

F780 725 110-XX:

References	Designation	ØA MAX (mm)	Weight (g approx.)
F780 725 110-11	Lock-nut D38 999 #11	21.9	8
F780 725 110-13	Lock-nut D38 999 #13	26.1	11.3
F780 725 110-15	Lock-nut D38 999 #15	29.3	12.8
F780 725 110-17	Lock-nut D38 999 #17	32.8	13
F780 725 110-19	Lock-nut D38 999 #19	35.5	14.5
F780 725 110-21	Lock-nut D38 999 #21	38.7	16.2
F780 725 110-23	Lock-nut D38 999 #23	41.7	17.8
F780 725 110-25	Lock-nut D38 999 #25	44.9	19.5

Material:

Material:	Alloy aluminium
Finish:	Nickel plated