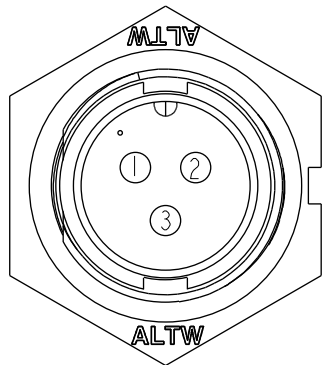
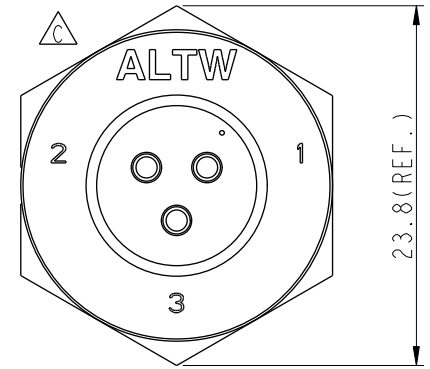
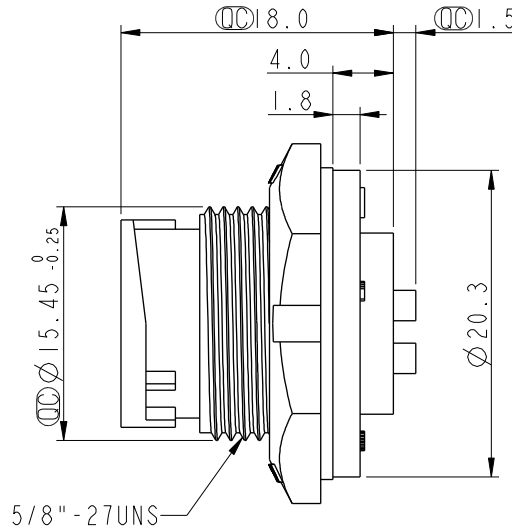
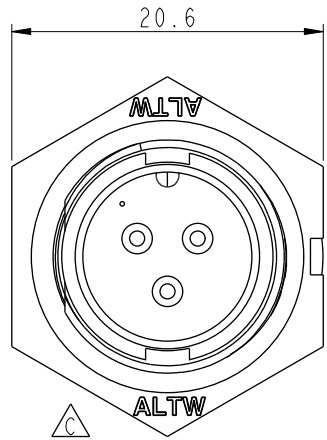
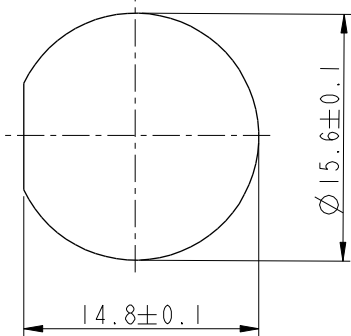


ALTW
 CONFIDENTIAL
 2019-02-22
 R&D DEPT.

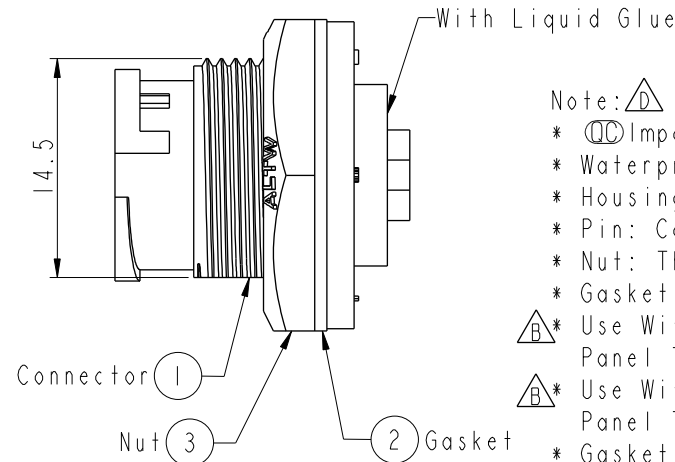
| REV. | ECN NO. | DATE | SIGN | DESCRIPTION |
|------|------------|------------|-------|-------------|
| B | LEN-8B0370 | 2008/09/17 | Shin | Add Note |
| C | LEN1590274 | 2015/09/01 | Vicky | Update Logo |
| D | CI90274 | 2019/02/22 | Ruru | Modify Note |



Pin Assignments
 Front View



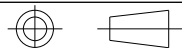
Recommended Panel Cut-out



Note: \triangle

- * CC Important Dimension To Check.
- * Waterproof Rate: IP67, Unmated
- * Housing: Thermoplastic, Black
- * Pin: Copper Alloy, Gold Plated
- * Nut: Thermoplastic, Black
- * Gasket: Rubber, Black
- \triangle Use With Waterproof Cap Or Dust Cap
 Panel Thickness Max: 3.0mm
- \triangle Use Without Waterproof Cap Or Dust Cap
 Panel Thickness Max: 4.5mm
- * Gasket and Nut are packed separately in PE bags.

UNIT:mm



TOLERANCE
 .X ±0.25
 .XX ±0.1
 .XXX ±0.05
 ANGLES ±1°

| TITLE | | | |
|---------------------------------------|---------|-------------------------------|----|
| Standard Panel Lock 3Pin M Conn M Pin | | | |
| SCALE | SIZE | SHEET | OF |
| 2:1 | A4 | 1 | 1 |
| REV. | WC-REV. | CC : Inspection item | |
| D | A.3 | | |

Amphenol LTW
 安費諾亮泰企業股份有限公司

| ITEM NO | DRAWN BY | DATE |
|------------------|-------------|------------|
| BD-03PMMS-LC7001 | Ruru | 2019-02-22 |
| DWG NO | CHECKED BY | DATE |
| BD-03PMMS-LC7001 | Rita | 2019-02-22 |
| CUSTOMER | APPROVED BY | DATE |
| ALTW | Max | 2019-02-22 |

THIS DOCUMENT IS SUBJECT TO CHANGE WITHOUT NOTICE. IT IS CONFIDENTIAL AND A PROPERTY OF Amphenol LTW. DISCLOSURE TO THIRD PARTY HAS TO BE AUTHORIZED BY Amphenol LTW.