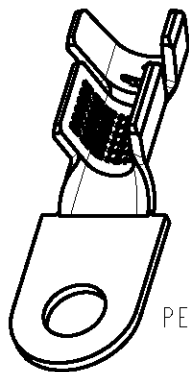
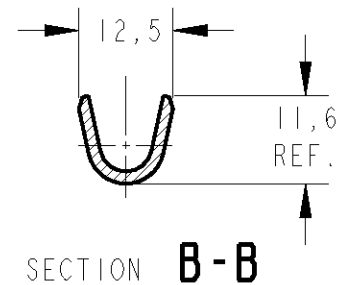
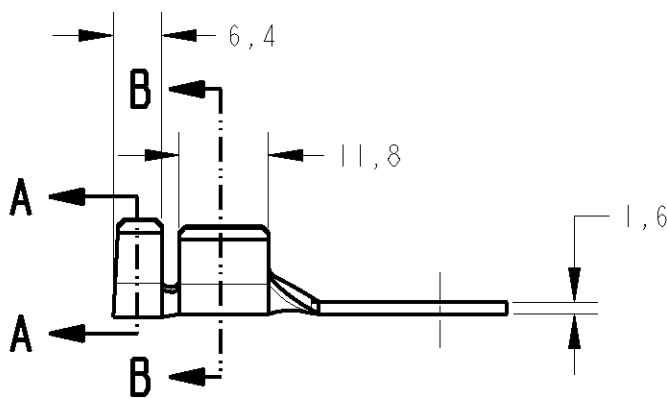
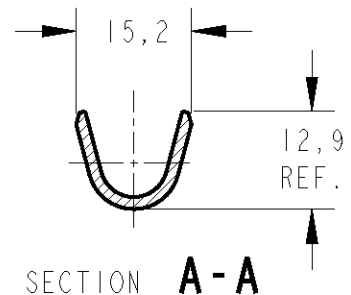
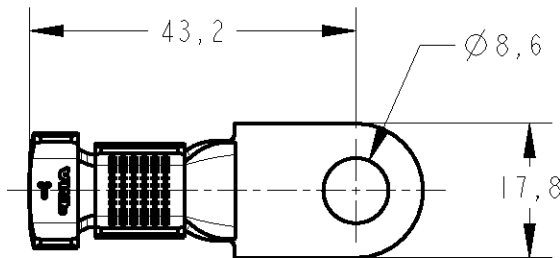


LOC AP	DIST - / -	REVISIONS			
P	LTR	DESCRIPTION	DATE	DWN	APVD
	0	RELEASED	16AG006	RKTL	PLF



PERSPECTIVE VIEW
SCALE 1:1

WIRE RANGE
16 - 20 mm2

69EB 14452 AA	ESTANHADO / TIN PLATED	LATÃO / BRASS	880213-2
— / —	— / —		880213-1
FORD PN	FINISH	MATERIAL	PART NUMBER

DIMENSIONS: mm	DWN A. PERUSSI 29MAY2006	MATERIAL TABLE	FINISH TABLE
	CHK P. L. FARIA 29MAY2006	tyco Electronics Tyco Electronics Brazil Sao Paulo - Brasil	
TOLERANCES UNLESS OTHERWISE SPECIFIED:	APVD M. L. OGAWA 29MAY2006		
0 PLC ±-	PRODUCT SPEC -	SIZE A 4	CAGE CODE 00779
1 PLC ±0,3	APPLICATION SPEC -	DRAWING NO C=880213	RESTRICTED TO - / -
2 PLC ±-	WEIGHT - / -	CUSTOMER DRAWING	
3 PLC ±-		SCALE 1 : 1	SHEET 1
4 PLC ±-		OF 1	REV 0
ANGLES ±1			

20

RELEASED FOR PUBLICATION

THIS DRAWING IS UNPUBLISHED.

BY TYCO ELECTRONICS CORPORATION. ALL RIGHTS RESERVED.
COPYRIGHT 20