

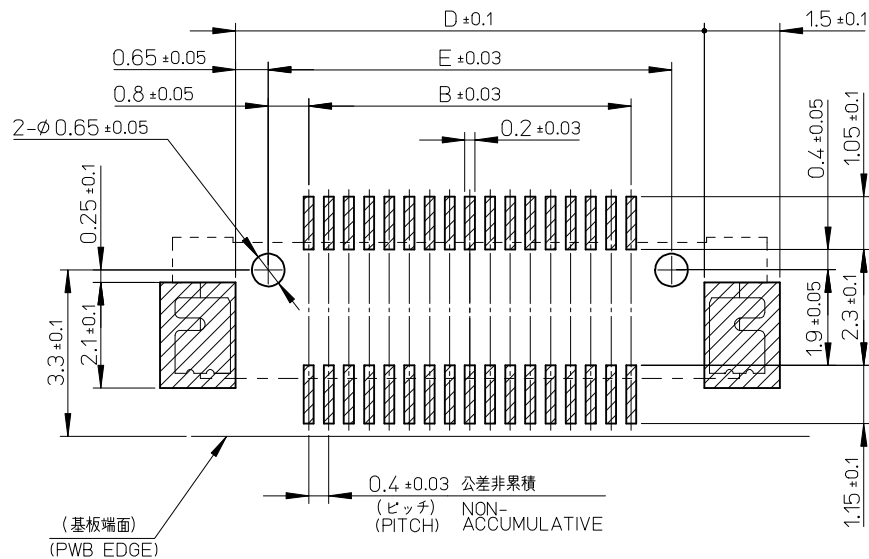
注記 NOTES

- 使用材料 MATERIAL  
 ウエハー: 液晶ポリマー ガラス充填 UL94V-0 黒色  
 WAFER: LIQUID CRYSTAL POLYMER, GLASS FILLED, UL94V-0, COLOR BLACK  
 ピン: リン青銅  
 PIN: PHOSPHOR BRONZE  
 補強金具: リン青銅  
 FITTING NAIL: PHOSPHOR BRONZE
  - メッキ仕様 PLATING  
 ピン PIN  
 コントラクト部: 部分金めっき (0.25µm以上)  
 テール部: 部分金めっき  
 下地: ニッケルめっき (1.5µm以上)  
 CONTACT AREA: SEPARATED GOLD PLATING (0.25 MICROMETER MINIMUM)  
 SOLDER TAIL AREA: SEPARATED GOLD PLATING  
 UNDERPLATE: NICKEL OVERALL (1.5 MICROMETER MINIMUM)  
 補強金具 FITTING NAIL  
 錫めっき (1.0µm以上)  
 下地: ニッケルめっき (1.0µm以上)  
 TIN PLATING (1.0 MICROMETER MINIMUM)  
 UNDERPLATE: NICKEL OVERALL (1.0 MICROMETER MINIMUM)
- △ テール部に適用。  
 APPLY TO THE TAIL AREA.
- 嵌合相手: 54552 シリーズ  
 MATE WITH: 54552 SERIES.
  - テール平坦度は、0.08 以下  
 テール及び金具の平坦度は、0.1 以下  
 TAIL COPLANARITY TO BE 0.08 MAXIMUM  
 TAIL AND FITTING NAIL COPLANARITY TO BE 0.1 MAXIMUM
  - ELV及びRoHS適合品  
 ELV AND RoHS COMPLIANT

9.2	10.5	11.9	7.6	13.0	503376-4010	40
8.0	9.3	10.7	6.4	11.8	503376-3410	34
7.2	8.5	9.9	5.6	11.0	503376-3010	30
E	D	C	B	A	EMBOSSED PACKAGE	極数
オーダー番号 ORDER No.						CIRCUITS

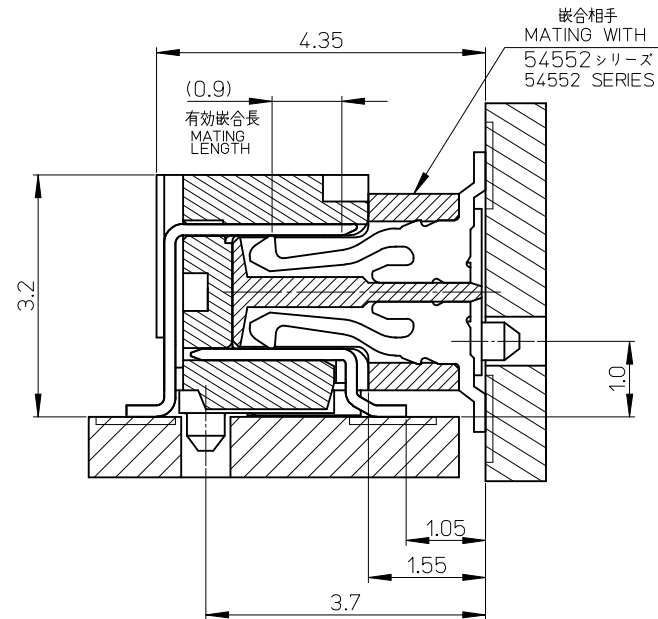
CONNECTOR SERIES No. : 503376-\*\*19

REVISED EC NO: J2010-0351 DRWN: TOSHIMA 2009/09/04 CHKD: SMARUYAMA 2009/09/04 APPR: MSASAO 2009/09/04	GENERAL TOLERANCES (UNLESS SPECIFIED)		DIMENSION STYLE MM ONLY		SCALE 10:1	DESIGN UNITS METRIC	THIRD ANGLE PROJECTION
	10 UNDER	±0.2	DRAWN BY M. TAKASAKI	DATE 2009/06/03	TITLE 0.4 B-TO-B CONN. RA PLUG NAIL ASSY (WITH BOSS)		
	10 OVER 30 UNDER	±0.25	CHECKED BY M. HAYASHI	DATE 2009/06/03	MOLEX INCORPORATED		
	30 OVER	±0.3	APPROVED BY N. UKITA	DATE 2009/06/03	DOCUMENT NO. SD-503376-001		
	ANGULAR	±3 °	MATERIAL NO. SEE CHART	SHEET NO. 1 OF 2			
A	REV	DRAFT WHERE APPLICABLE MUST REMAIN WITHIN DIMENSIONS		THIS DRAWING CONTAINS INFORMATION THAT IS PROPRIETARY TO MOLEX INCORPORATED AND SHOULD NOT BE USED WITHOUT WRITTEN PERMISSION			



推奨基板レイアウト(マウント面)

RECOMMENDED P.W.BOARD  
PATTERN DIMENSION. (REFERENCE)  
(MOUNTING AREA)



嵌合断面 及び ボス位置 (参考)

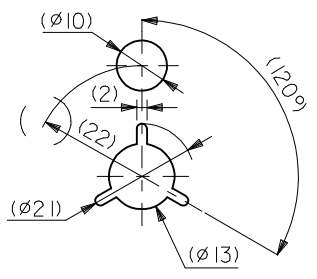
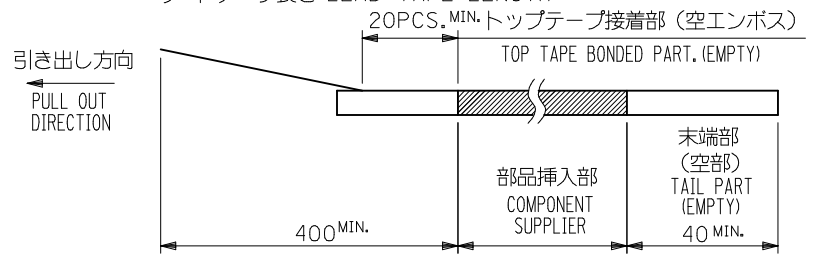
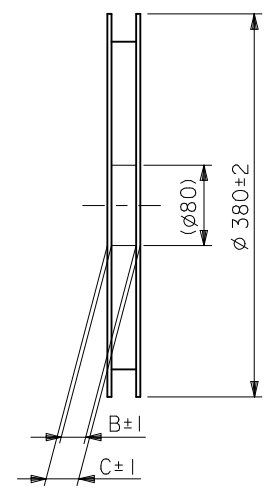
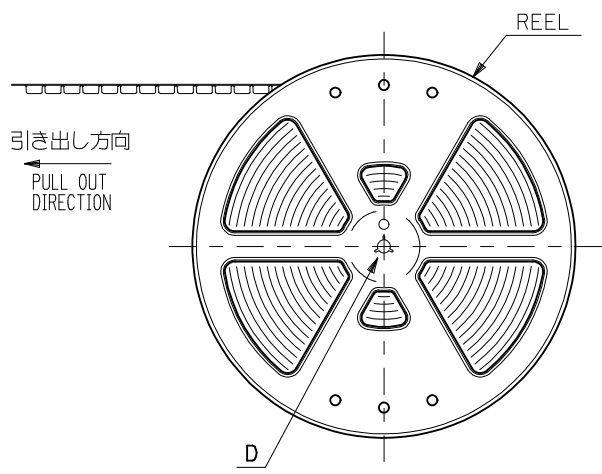
MATED AND BOSS POSITION  
DRAWING(REFERENCE)

CONNECTOR SERIES No. : 503376-\*\*19

REVISED EC NO: J2010-0351 DRWN:TOSHIMA 2009/09/04 CHKD:SMARUYAMA 2009/09/04 APPR:MSASAO 2009/09/04 A	DESCRIPTION REV	GENERAL TOLERANCES (UNLESS SPECIFIED)		DIMENSION STYLE MM ONLY		SCALE 15:1	DESIGN UNITS METRIC	THIRD ANGLE PROJECTION	
		10 UNDER	±0.2	DRAWN BY M. TAKASAKI	DATE 2009/06/03	TITLE 0.4 B-TO-B CONN. RA PLUG NAIL ASSY (WITH BOSS)			
		10 OVER 30 UNDER	±0.25	CHECKED BY M. HAYASHI	DATE 2009/06/03				
		30 OVER	±0.3	APPROVED BY N. UKITA	DATE 2009/06/03	MOLEX INCORPORATED			
		ANGULAR ±3 °		MATERIAL NO. SEE CHART					
DRAFT WHERE APPLICABLE MUST REMAIN WITHIN DIMENSIONS		THIS DRAWING CONTAINS INFORMATION THAT IS PROPRIETARY TO MOLEX INCORPORATED AND SHOULD NOT BE USED WITHOUT WRITTEN PERMISSION							

NOTES

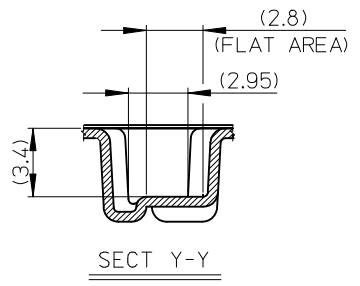
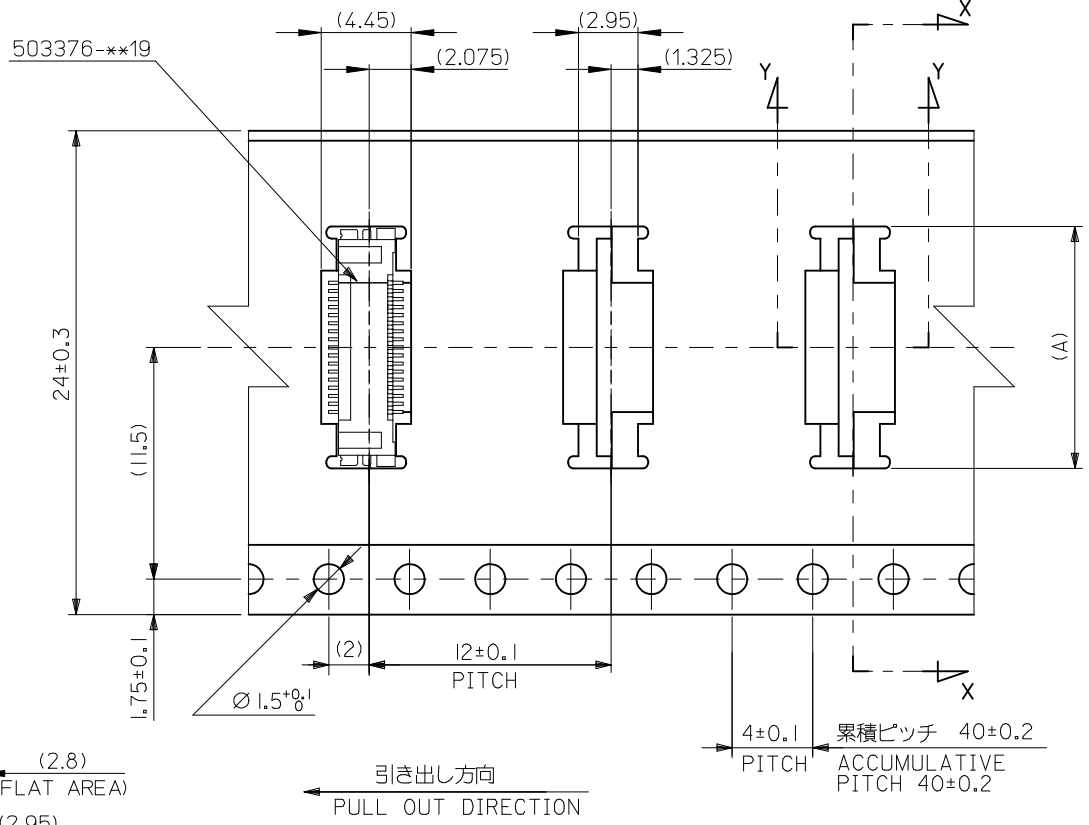
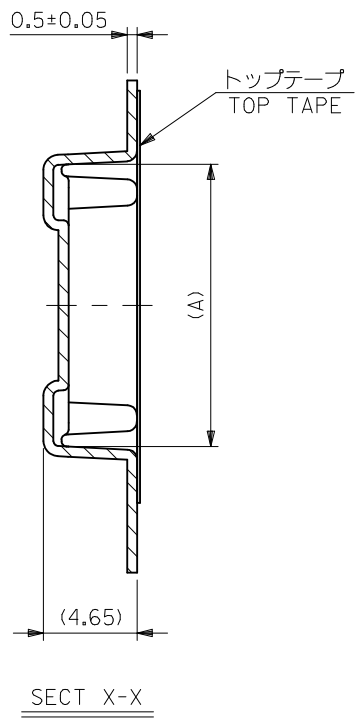
- 製品詳細寸法については SD-503376-001 を参照ください。  
RE DETAILED DIMENSION, SEE SD-503376-001
- 梱包数量：1500個/リール  
NUMBER OF CONNECTORS : 1500PCS/REEL
- リードテープ長さ LEAD TAPE LENGTH  
20PCS. MIN. トップテープ接着部 (空エンボス)  
TOP TAPE BONDED PART. (EMPTY)  
部品挿入部  
COMPONENT SUPPLIER  
末端部 (空)  
TAIL PART (EMPTY)  
400 MIN. 40 MIN.
- 材料 (MATERIAL)  
キャリアテープ (CARRIER TAPE) : ポリプロピレン (POLYPROPYLENE)  
トップテープ (TOPTAPE) : PET, PE, PEF  
リール (REEL) : ポリスチレン (PS) (リサイクル材を含む)  
POLYSTYRENE (PS) <RECYCLE MATERIAL CONTAINED>
- ELV 及び RoHS 適合品  
ELV AND RoHS COMPLIANT.



DETAIL D

503376-4010	40
503376-3410	34
503376-3010	30
MATERIAL NO.	極数 CIRCUITS

REVISED EC NO: J2010-0351 DRWN: TOSHIMA 2009/09/04 CHKD: SMARUYAMA 2009/09/04 APPR: MSASAO 2009/09/04	GENERAL TOLERANCES (UNLESS SPECIFIED)		DIMENSION STYLE MM ONLY		MODEL NO.	503376-***10		
	10 UNDER	$\pm 0.2$	DRAWN BY	DATE	SCALE	DESIGN UNITS		
	10 OVER 30 UNDER	$\pm 0.25$	M. TAKASAKI	2009/06/03	---	METRIC		
	30 OVER	$\pm 0.3$	CHECKED BY	DATE	THIRD ANGLE PROJECTION			
	ANGULAR	$\pm 3^\circ$	M. HAYASHI	2009/06/03	TITLE			
DRAFT WHERE APPLICABLE MUST REMAIN WITHIN DIMENSIONS		APPROVED BY	DATE	EMBSTP PKG FOR 0.4 B/B CONN. RA PLUG NAIL ASSY				
		N. UKITA	2009/06/03	MOLEX INCORPORATED				
		MATERIAL NO.	SEE CHART		DOCUMENT NO.	SD-503376-002		
		SIZE	THIS DRAWING CONTAINS INFORMATION THAT IS PROPRIETARY TO MOLEX INCORPORATED AND SHOULD NOT BE USED WITHOUT WRITTEN PERMISSION				SHEET NO.	1 OF 2



24mm幅キャリアテープ  
24mm WIDTH CARRIER TAPE

24	29.4	25.4	13.2	503376-4010	40
			12.0	503376-3410	34
			11.2	503376-3010	30
キャリアテープ幅 CARRIER TAPE WIDTH	C	B	(A)	MATERIAL NO.	極数 CIRCUITS

REVISED EC NO: J2010-0351 DRWN: TOSHIMA 2009/09/04 CHKD: SMARUYAMA 2009/09/04 APPR: MASASAO 2009/09/04	GENERAL TOLERANCES (UNLESS SPECIFIED)		DIMENSION STYLE MM ONLY		SCALE ---	MODEL NO. 503376-***10
	10 UNDER	±0.2	DRAWN BY M. TAKASAKI	DATE 2009/06/03	TITLE EMBSTP PKG FOR 0.4 B/B CONN. RA PLUG NAIL ASSY	
	10 OVER 30 UNDER	±0.25	CHECKED BY M. HAYASHI	DATE 2009/06/03	MATERIAL NO. SEE CHART	
	30 OVER	±0.3	APPROVED BY N. UKITA	DATE 2009/06/03	DOCUMENT NO. SD-503376-002	
	ANGULAR ±3 °	DRAFT WHERE APPLICABLE MUST REMAIN WITHIN DIMENSIONS		SIZE A3	SHEET NO. 2 OF 2	