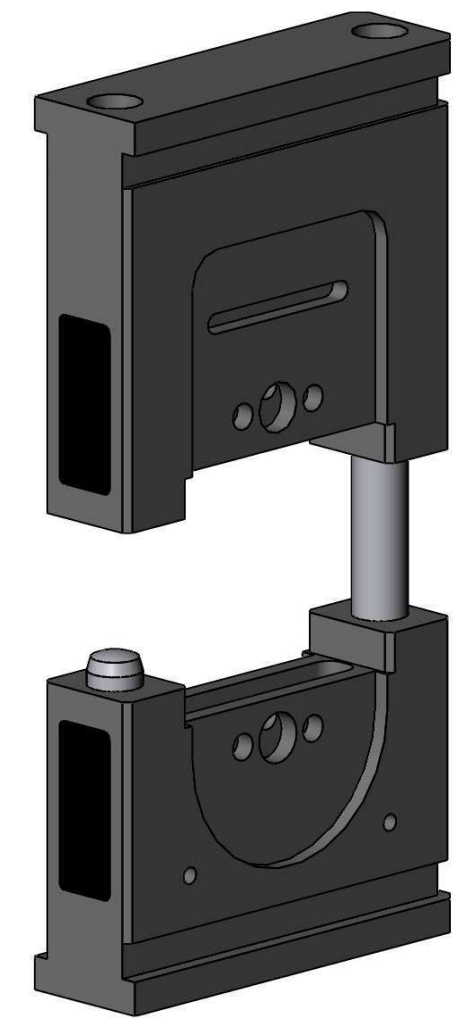


LOC	DIST	REVISIONS					
		P	LTR	DESCRIPTION	DATE	DWN	APVD
—	—	A2		ECR-19-014279	13SEP2019	PNT	GS
—	—	A3		ECR-23-164122	18JAN2023	RRD	HT

Ausführung:
Workmanship:
• Leichte Handhabung Easy handling
• Linearer Hub Straight action principle
• Oberfläche brüniert Burnished surface
• Voll recyclefähig; RoHS(Richtlinie 2002/95/EG) konform Fully recyclable; RoHS(Richtlinie 2002/95/EG) compliant
Abmessungen:
Dimensions:
• Länge: ca. 108 mm Length: approx. 108 mm
• Breite: ca. 71 mm Width: approx. 71 mm
• Tiefe: ca. 75 mm Depth: approx. 75 mm
• Gewicht: ca. 900 g Weight: approx. 900 g
Anwendungsbereich:
Application range:
• Für SDE Gesenke For SDE dies



THIS DRAWING IS A CONTROLLED DOCUMENT.		DWN G.Herold 01JUL2013		
DIMENSIONS: mm		CHK T.Weissgerber 01JUL2013		
TOLERANCES UNLESS OTHERWISE SPECIFIED:		APVD T.Weissgerber 01JUL2013	NAME SDE DIE-ADAPTER, AT-SC MK II	
		PRODUCT SPEC	SIZE A3	
MATERIAL		APPLICATION SPEC	CAGE CODE 00779	DRAWING NO C=2-528051-8
FINISH		WEIGHT 0,900kg	RESTRICTED TO —	
CUSTOMER DRAWING			SCALE	SHEET 1 OF 1
			REV A3	

D

C

B

A