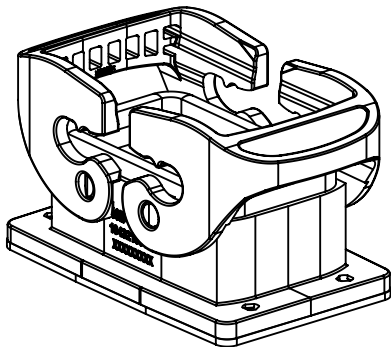
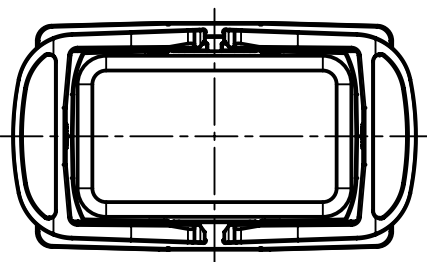
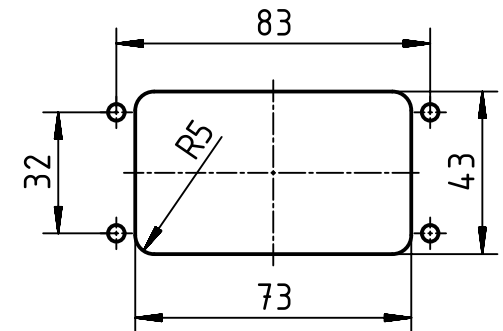


panel cut out for assembly from the inner side of cabinet



	All Dimensions in mm Original Size DIN A4		Scale 1:2	Free size tol.		Ref.		
						Sub.		
	All rights reserved		Created by ROEBEN	Inspected by SCHENK	Standardisation TIEMANNA	Date 2018-04-13	State Final Release	
	Department EL PD - DE		Title Han-Eco 10B Outd-HBM/RA-with DL				Doc-Key / ECM-Nr. 100767895/UGD/001/A 500000132917	
HARTING Electric GmbH & Co. KG D-32339 Espelkamp			Type TB	Number 19 43 210 0310			Rev. A	Page 1/1