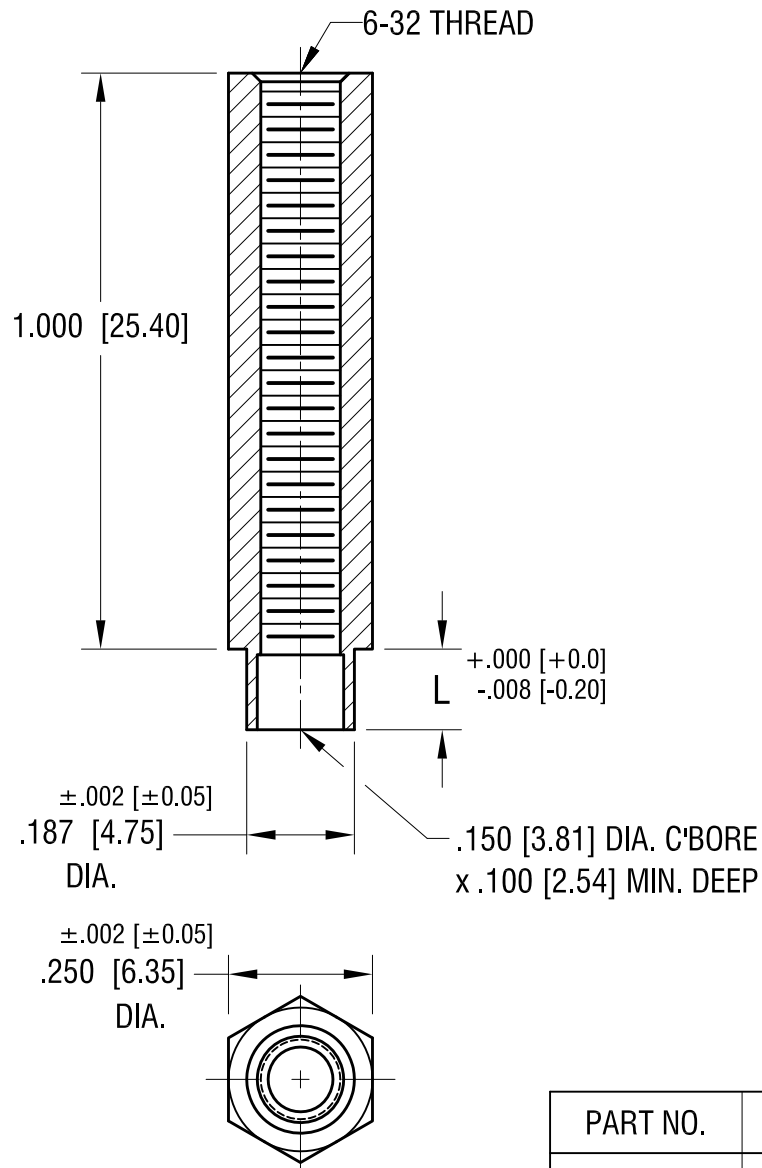


THIS DOCUMENT IS THE PROPERTY OF
KEYSTONE ELECTRONICS CORP. AND
SHALL NOT BE REPRODUCED, DISTRIBUTED
OR USED AS A BASIS FOR MANUFACTURE
WITHOUT PRIOR WRITTEN PERMISSION
FROM KEYSTONE ELECTRONICS CORP.

ACTUAL SIZE



P/N 1784-2

PART NO.	'L' DIM.
1784-2	.109 [2.77]
1784-3	.140 [3.56]
1784-4	.171 [4.34]

KEYSTONE ELECTRONICS CORP.

www.keyelco.com • NEW HYDE PARK NY 11040 • Tel (516)328-7500

PART NAME

SWAGE THREADED STANDOFF

MATERIAL

BRASS

FINISH DUCTILE
NICKEL PLATE

DRN BY BOONE

DATE 5.14.02

APP'D LN

SCALE 3X

TOLERANCES INCH [MM]
DECIMAL ± .005 [± 0.13]
ANGULAR ± 1°
UNLESS OTHERWISE SPECIFIED

CODE DWG NO.

C

1784-

11.22.21 CHANGE AS PER ECN 21-177

A

DATE

DESCRIPTION

REV.