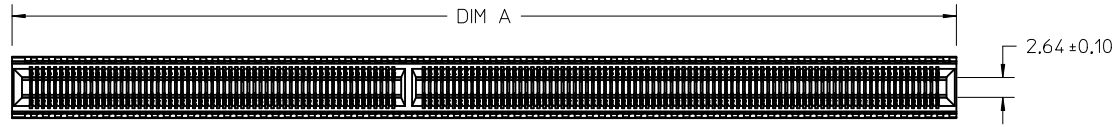
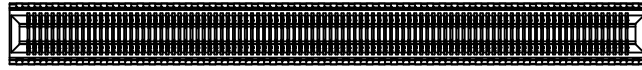


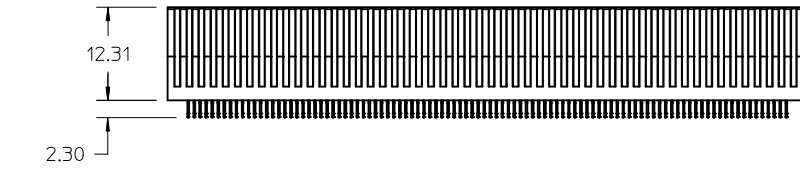
PART NUMBER	VERSION	BAY 1/BAY 2	TOTAL CIRCUITS	DIM A	SALES DRAWING (SEE NOTE 7)
170672-2294	2 BAY	122/172	294	125.03	SD-170672-2294
170672-2278	2 BAY	146/132	278	118.63	SD-170672-2278
170672-1200	1 BAY	200	200	84.20	SD-170672-1200
170672-1170	1 BAY	170	170	72.20	SD-170672-1170
170672-2108	2 BAY	86/22	108	50.6	SD-170672-2108



2 BAY EDGE LINE

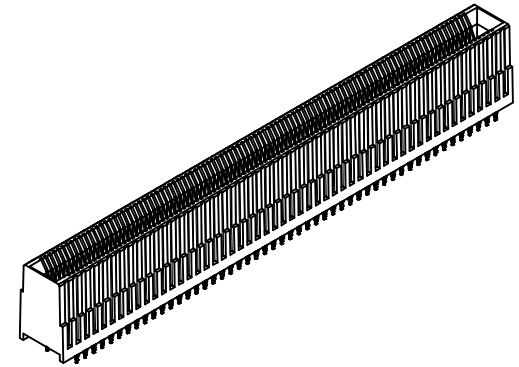
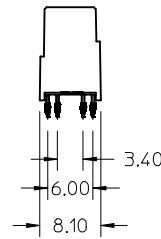


1 BAY EDGE LINE



LAST CIRCUIT

FIRST CIRCUIT



NOTES:

- MATERIAL:
HOUSING - GLASS FILLED THERMOPLASTIC, 94-V0, BLACK
TERMINALS - COPPER ALLOY
- FINISH:
CONTACT AREA: HARD GOLD -0.76µm MIN OVER 3.80µ NICKEL
COMPLIANT AREA: TIN - 0.76/1.52µm OVER NICKEL
- REFER TO PS-75594-999 PRODUCT SPECIFICATION FOR ALL ELECTRICAL, MECHANICAL AND ENVIRONMENTAL SPECIFICATIONS.
- PROCESSING: PRESSFIT TO PC BOARD.
- MATING PC BOARD THICKNESS = 2.36±10% OVER CONTACT PADS.
- THIS PART CONFORMS TO CLASS B REQUIREMENTS OF COSMETIC SPEC PS-45499-002
- FOR EDGE CARD AND MOUNTING PCB LAYOUT DETAIL SEE CORRESPONDING SALES DRAWING.

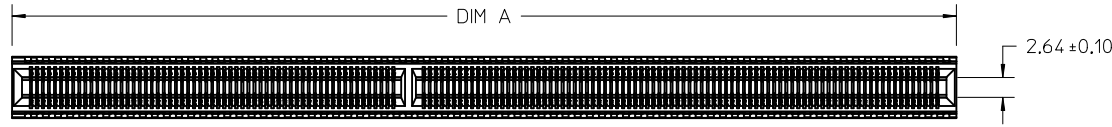
REV	DESCRIPTION	QUALITY SYMBOLS
C1	CORRECT 10% TOLERANCE IEC NO: UCP2017-1945 DRAWN BY: DRWIN:POFF 2017/03/09 CHECKED BY: CHKD:MORGAN 2017/03/09 APPR: KLANG 2017/03/15	

GENERAL TOLERANCES (UNLESS SPECIFIED)	
mm	INCH
4 PLACES ± .005	± .0004
3 PLACES ± .003	± .0001
2 PLACES ± .002	± .0001
1 PLACE ± .001	± .0001
0 PLACE ±	±
ANGULAR ±1/2°	
DRAFT WHERE APPLICABLE MUST REMAIN WITHIN DIMENSIONS	

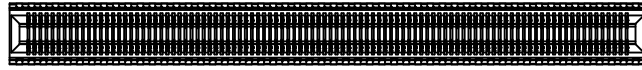
DIMENSION STYLE	
MM ONLY	
DRAWN BY	DATE
DROSCA	2010/07/01
CHECKED BY	DATE
JCOMERC I	2011/03/28
APPROVED BY	DATE
JCOMERC I	2010/10/25
MATERIAL NO.	
SEE TABLE	
SIZE	C

SCALE	DESIGN UNITS	THIRD ANGLE PROJECTION
2:1	METRIC	
EDGE LINE 12.5GB 0.093" PCB 0.8MM PITCH		
DOCUMENT NO.		SHEET NO.
SD-170672-0001		1 OF 1

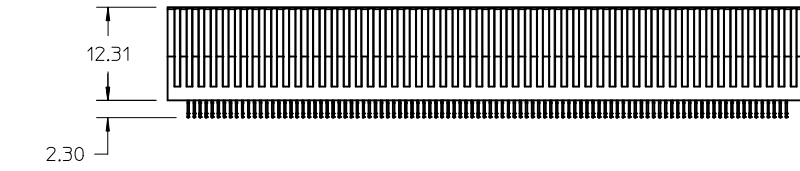
PART NUMBER	VERSION	BAY 1/BAY 2	TOTAL CIRCUITS	DIM A	SALES DRAWING (SEE NOTE 7)
170672-2294	2 BAY	122/172	294	125.03	SD-170672-2294
170672-2278	2 BAY	146/132	278	118.63	SD-170672-2278
170672-1200	1 BAY	200	200	84.20	SD-170672-1200
170672-1170	1 BAY	170	170	72.20	SD-170672-1170
170672-2108	2 BAY	86/22	108	50.6	SD-170672-2108



2 BAY EDGELINE

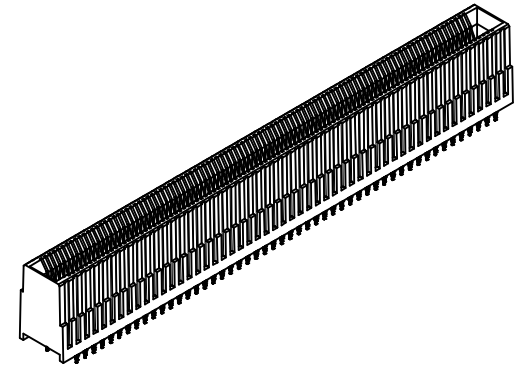
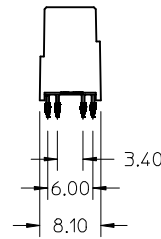


1 BAY EDGELINE



LAST CIRCUIT

FIRST CIRCUIT



NOTES:

- MATERIAL:
HOUSING - GLASS FILLED THERMOPLASTIC, 94-V0, BLACK
TERMINALS - COPPER ALLOY
- FINISH:
CONTACT AREA: HARD GOLD -0.76µm MIN OVER 3.80µ NICKEL
COMPLIANT AREA: TIN - 0.76/1.52µm OVER NICKEL
- REFER TO PS-75594-999 PRODUCT SPECIFICATION FOR ALL ELECTRICAL, MECHANICAL AND ENVIRONMENTAL SPECIFICATIONS.
- PROCESSING: PRESSFIT TO PC BOARD.
- MATING PC BOARD THICKNESS = 2.36±10% OVER CONTACT PADS.
- THIS PART CONFORMS TO CLASS B REQUIREMENTS OF COSMETIC SPEC PS-45499-002
- FOR EDGE CARD AND MOUNTING PCB LAYOUT DETAIL SEE CORRESPONDING SALES DRAWING.

REV	DESCRIPTION	QUALITY SYMBOLS
C1	CORRECT 10% TOLERANCE IEC NO: UCP2017-1945 DRAWING OFF: 2017/03/09 CHKD: JORGAN 2017/03/09 APPR: KLANG 2017/03/15	

GENERAL TOLERANCES (UNLESS SPECIFIED)	
mm	INCH
4 PLACES ± .005	± .0004
3 PLACES ± .003	± .0002
2 PLACES ± .002	± .0001
1 PLACE ± .001	± .00005
0 PLACE ±	±

ANGULAR ±1/2°

DRAFT WHERE APPLICABLE MUST REMAIN WITHIN DIMENSIONS

DIMENSION STYLE	
MM ONLY	
DRAWN BY	DATE
DROSCA	2010/07/01
CHECKED BY	DATE
JCOMERCI	2011/03/28
APPROVED BY	DATE
JCOMERCI	2010/10/25

SCALE	DESIGN UNITS	THIRD ANGLE PROJECTION
2:1	METRIC	
EDGELINE 12.5GB 0.093" PCB 0.8MM PITCH		
MATERIAL NO.	DOCUMENT NO.	SHEET NO.
SEE TABLE	SD-170672-0001	1 OF 1

THIS DRAWING CONTAINS INFORMATION THAT IS PROPRIETARY TO MOLEX INCORPORATED AND SHOULD NOT BE USED WITHOUT WRITTEN PERMISSION