

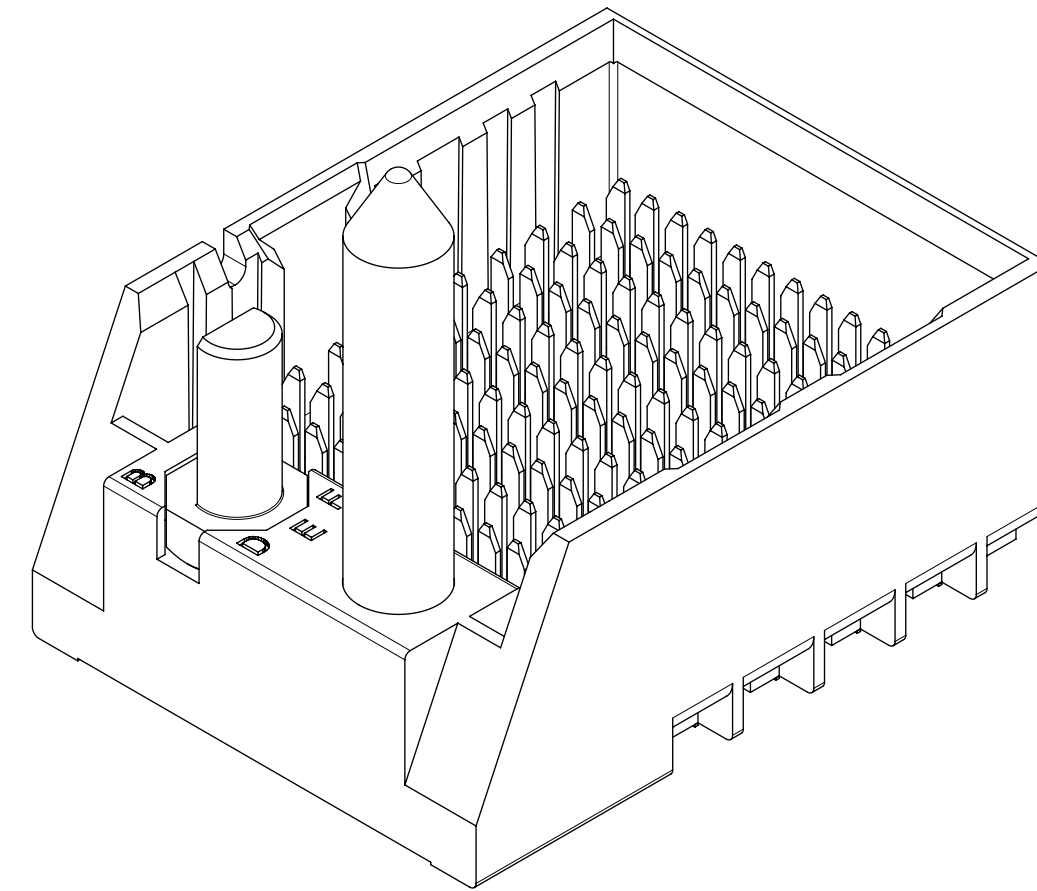
- NOTES:
1. MATERIALS: HOUSING - LIQUID CRYSTAL POLYMER (LCP)  
GLASS-FILLED, UL94V-0  
TERMINALS - HIGH PERFORMANCE COPPER ALLOY
  2. FINISH: 30μ INCH MIN GOLD IN CONTACT AREA.  
SELECTIVE MATTE TIN ON PCB TAILS, NICKEL OVERALL.
  3. REFER TO MOLEX PRODUCT SPECIFICATION PS-170540-999  
FOR PERFORMANCE SPECIFICATIONS AND ADDITIONAL PCB INFORMATION.
  4. REFER TO MOLEX PCB ROUTING GUIDE AS-76060-990 FOR ANTIPAD AND ROUTING RECOMMENDATIONS.
  5. CONNECTORS SUPPLIED WITH A 2-56 UNC-2A SCREW.
  6. "THESE DIMENSIONS REPRESENT THE AREA NEEDED TO ACCOMMODATE CONNECTOR INSERTION AND REPAIR ON THE PC BOARD. THIS IS REFERRED TO AS THE "CONNECTOR KEEP OUT ZONE" AND DOES NOT REPRESENT THE ACTUAL PERIMETER OF THE CONNECTOR. WHEN LAYING OUT THE PC BOARD FOR CONNECTORS STACKED TOGETHER, USE A 1.9mm PROGRESSION."
  7. THIS PART CONFORMS TO MOLEX COSMETIC SPEC PS-45499-002 CLASS B.
  8. PARTS PACKAGED PER PK-70873-757.
  9. SEE SHEETS 2 & 3 FOR PART NUMBERS AND BOARD RELATIONSHIPS.
  10. FOR GROUNDED GUIDE PINS USE Ø 3.56 +/-0.08 (PTH), Ø3.66 (DRILL) & Ø6.5 (PAD).
  11. KEEP OUT ZONE FOR BP HOUSING LENGTH INCLUDES AN ADDITIONAL 1.0MM TO ACCOMMODATE FOR SPACE REQUIRED BY DC FRONT HOUSING.
  12. MINIMUM CIRCUIT BOARD THICKNESS: 1.0mm

SYMBOLS		THIS DRAWING CONTAINS INFORMATION THAT IS PROPRIETARY TO MOLEX ELECTRONIC TECHNOLOGIES, LLC AND SHOULD NOT BE USED WITHOUT WRITTEN PERMISSION	
DIMENSION UNITS	SCALE	CURRENT REV DESC: MIGRATED TO NX	
▽ = 0	mm	4:1	
▽ = 0	GENERAL TOLERANCES (UNLESS SPECIFIED)		
▽ = 0	ANGULAR TOL	± 0.5°	
▽ = 0	4 PLACES	±	
▽ = 0	3 PLACES	±	
▽ = 0	2 PLACES	± 0.13	
▽ = 0	1 PLACE	± 0.25	
▽ = 0	0 PLACES	±	
■ = 0	DRAFT WHERE APPLICABLE MUST REMAIN WITHIN DIMENSIONS		
▽ = 0	THIRD ANGLE PROJECTION		

EC NO: 172491	2018/02/16				
DRWN: VK10	2018/02/20				
CHK'D: DVARVARA	2018/02/20				
APPR: TELO	2018/02/22	PRODUCT CUSTOMER DRAWING			
INITIAL REVISION:		DOCUMENT NUMBER	DOC TYPE	DOC PART	REVISION
DRWN: JBINGHAM	2012/11/13	SD-170335-0002	PSD	001	E1
APPR: JLAURX	2012/11/16	MATERIAL NUMBER	CUSTOMER	SHEET NUMBER	
		SEE CHART	GENERAL MARKET	1 OF 3	

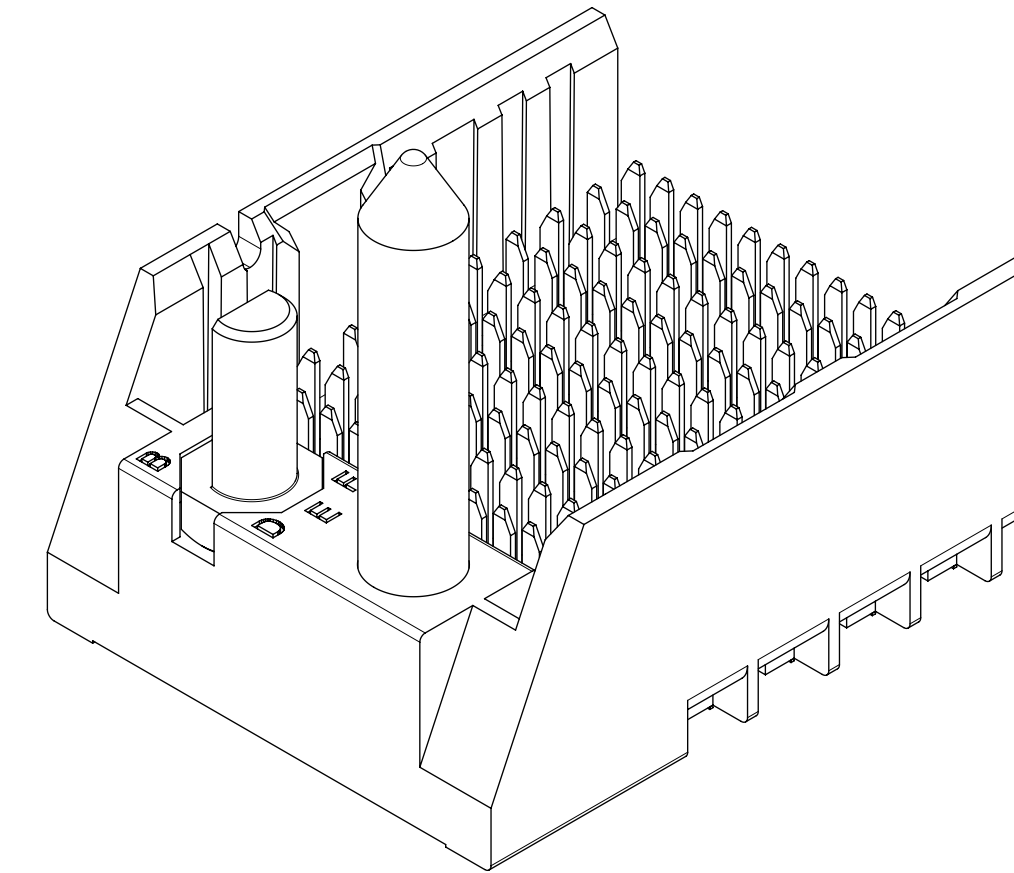
# PART NUMBER CHART

MATERIAL NUMBER	# OF COLUMNS	# OF DIFF PAIR	DIM "A"	DIM "B"	GUIDE LEFT END WALL OPTION
170335-73**	6	24	19.3	9.50	
170335-78**	8	32	23.1	13.30	
170335-71**	10	40	26.9	17.10	
170335-72**	12	48	30.7	20.90	
170335-74**	14	56	34.5	24.70	
170335-76**	16	64	38.3	28.50	



GUIDE LEFT  
END WALL  
OPTION

MATERIAL NUMBER	# OF COLUMNS	# OF DIFF PAIR	DIM "A"	DIM "B"	GUIDE LEFT OPEN WALL OPTION
170335-33**	6	24	17.9	9.50	
170335-38**	8	32	21.7	13.30	
170335-31**	10	40	25.5	17.10	
170335-32**	12	48	29.3	20.90	
170335-34**	14	56	33.1	24.70	
170335-36**	16	64	36.9	28.50	



GUIDE LEFT  
OPEN WALL  
OPTION

## PART NUMBER LOGIC 170335-\*\*\*\*

MODULE TYPE  
3 = GUIDE LEFT, TIN  
7 = GUIDE LEFT END WALL, TIN

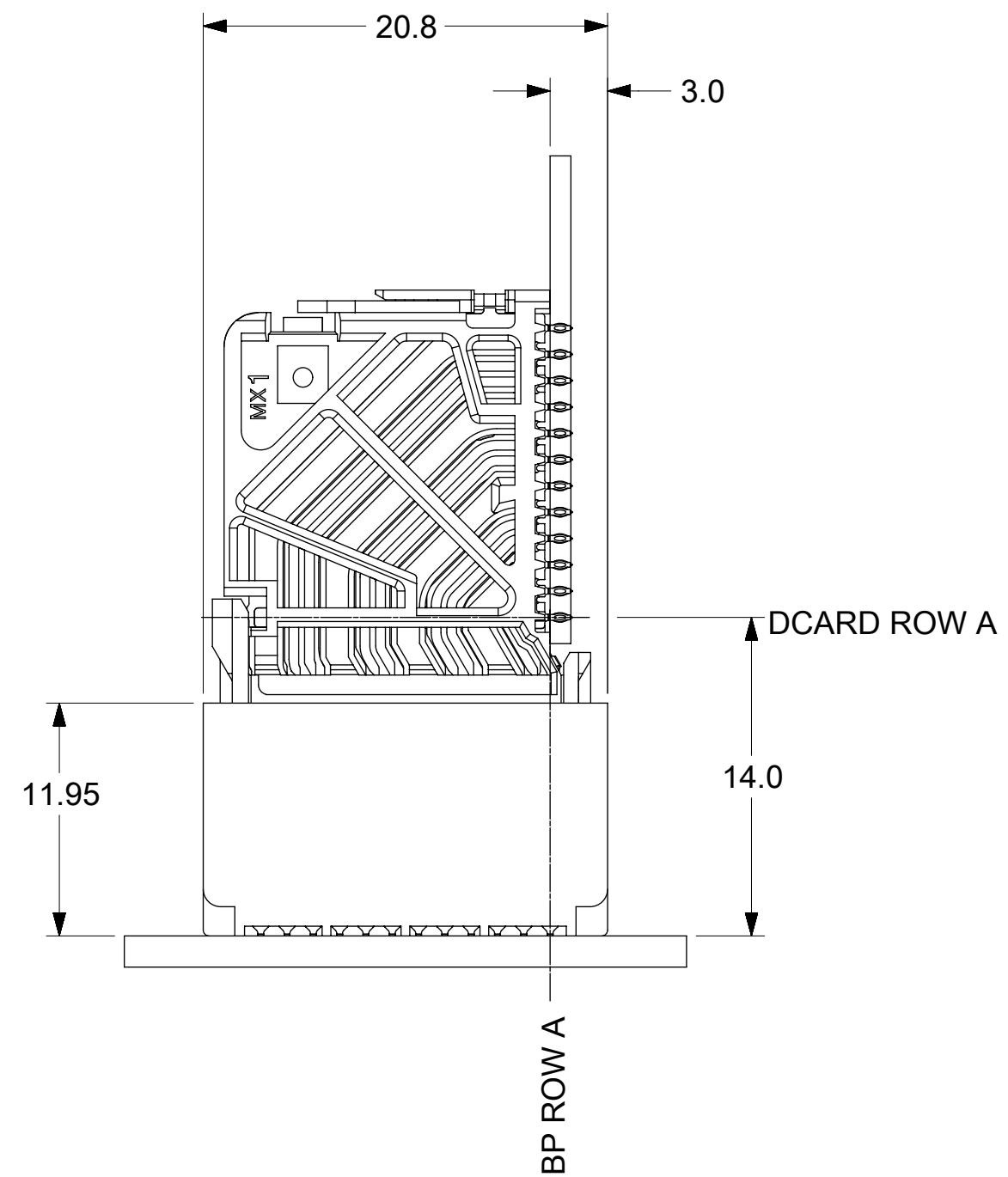
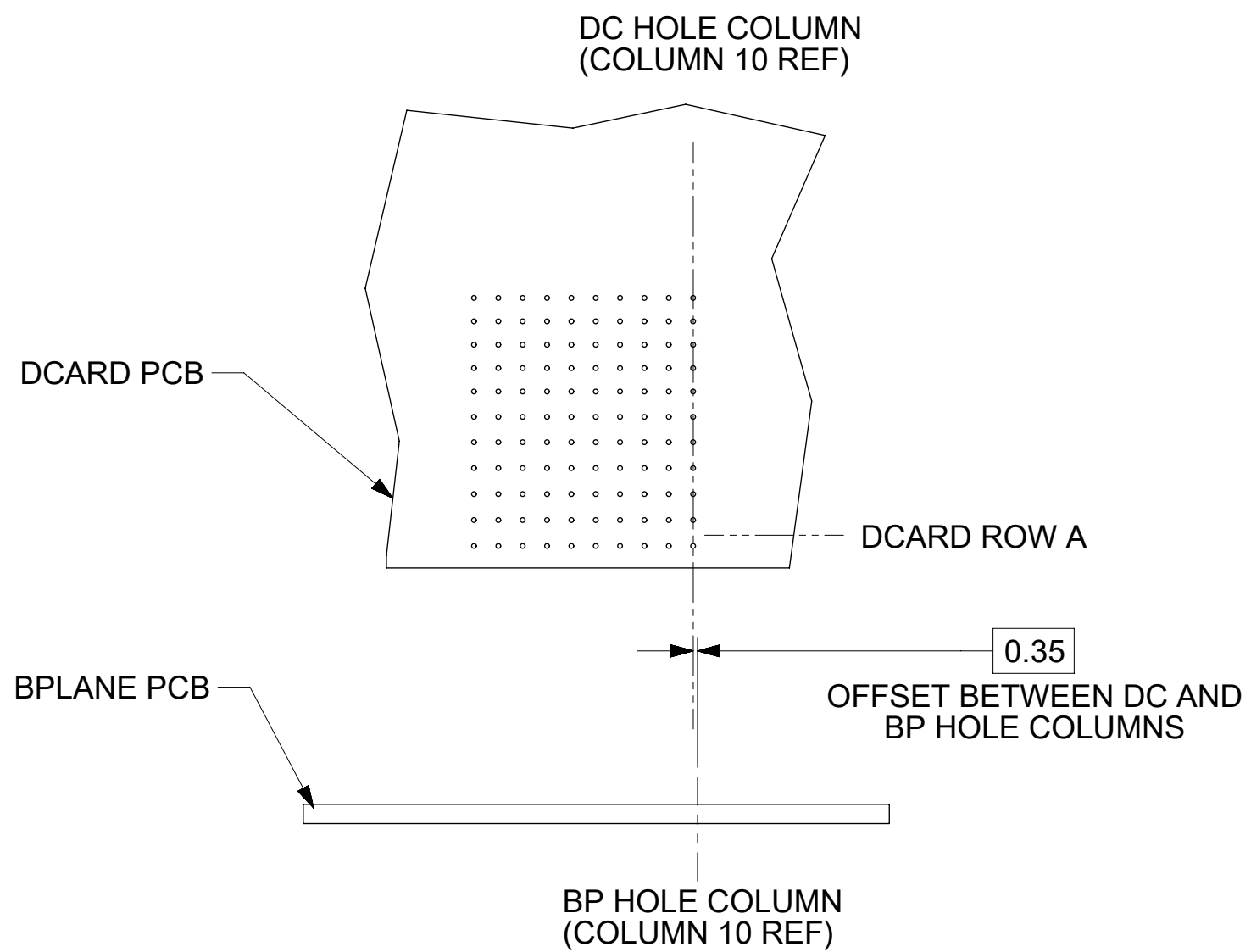
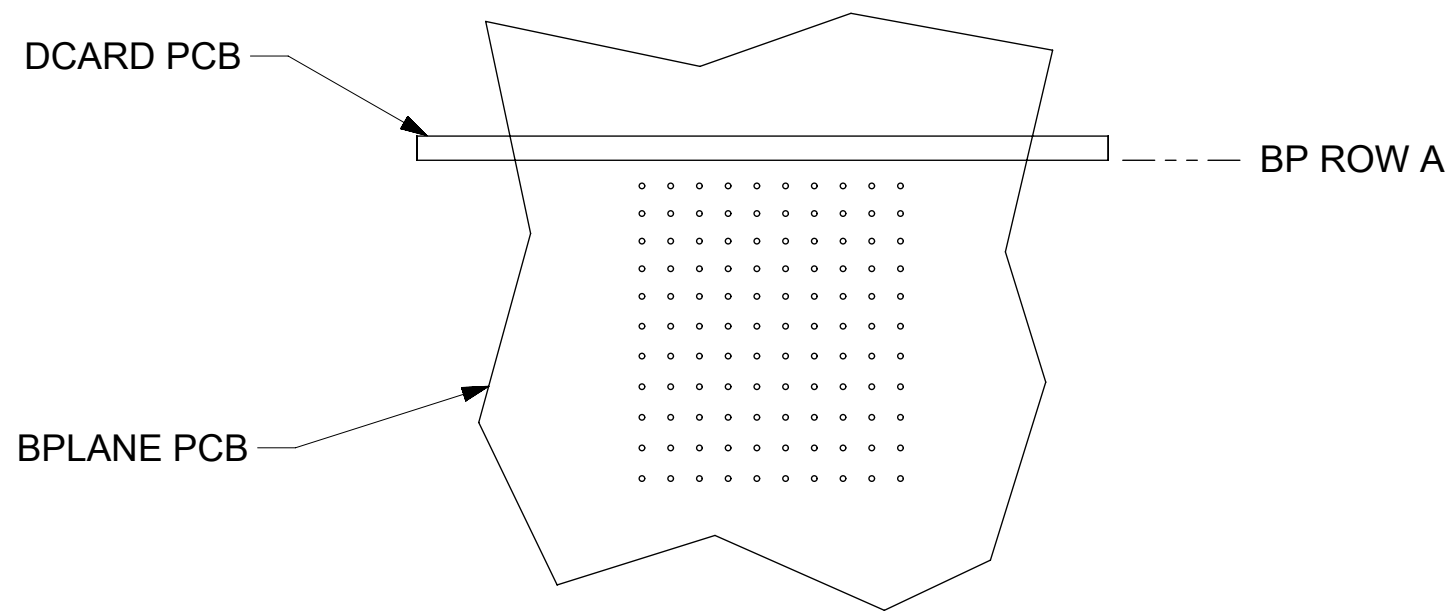
# OF COLUMNS  
1 = 10 COL  
2 = 12 COL  
3 = 6 COL  
4 = 14 COL  
6 = 16 COL  
8 = 8 COL

PIN LENGTH (P)  
3 = 4.50 (SHORT COMPLIANT, 0.46±0.05 PTH)  
4 = 4.90 (SHORT COMPLIANT, 0.46±0.05 PTH)  
5 = 5.50 (SHORT COMPLIANT, 0.46±0.05 PTH)  
6 = 4.50 (MICRO COMPLIANT, 0.39±0.05 PTH)  
7 = 4.90 (MICRO COMPLIANT, 0.39±0.05 PTH)  
8 = 5.50 (MICRO COMPLIANT, 0.39±0.05 PTH)

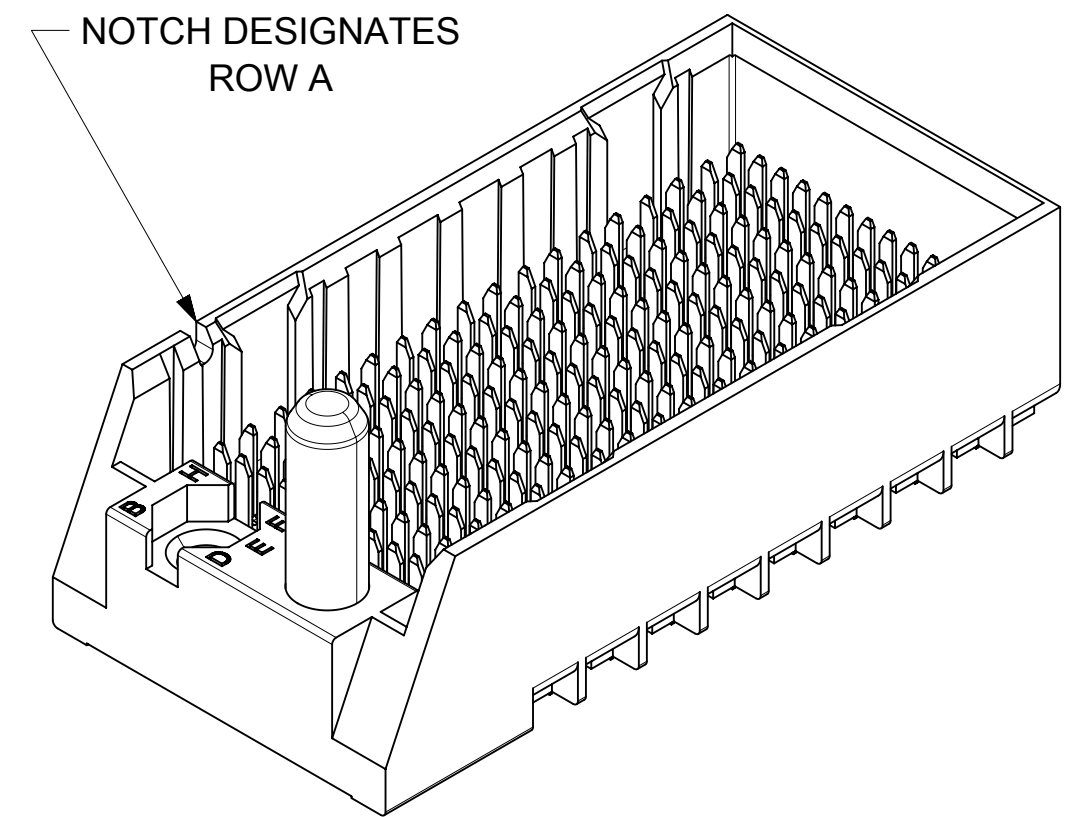
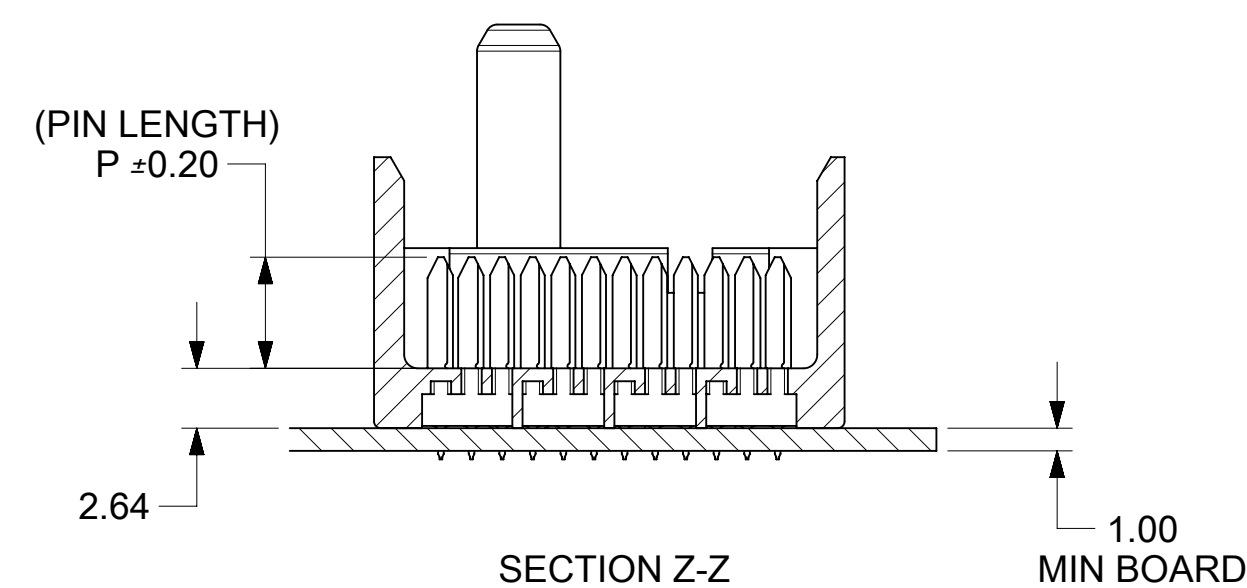
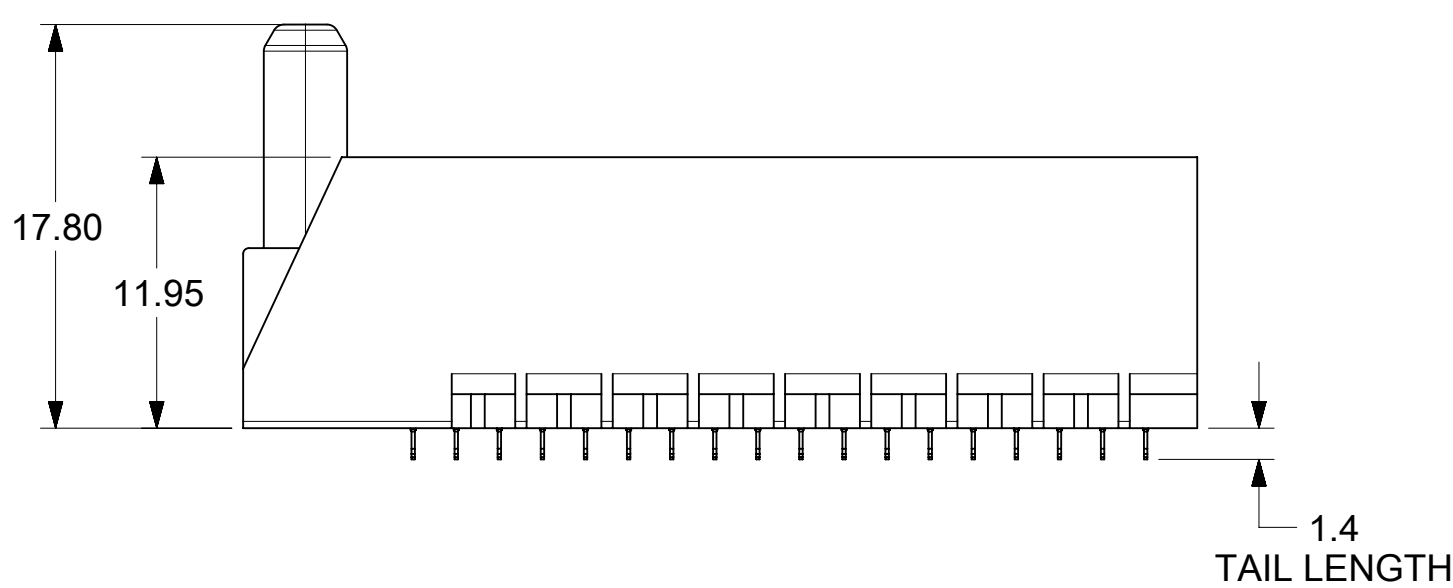
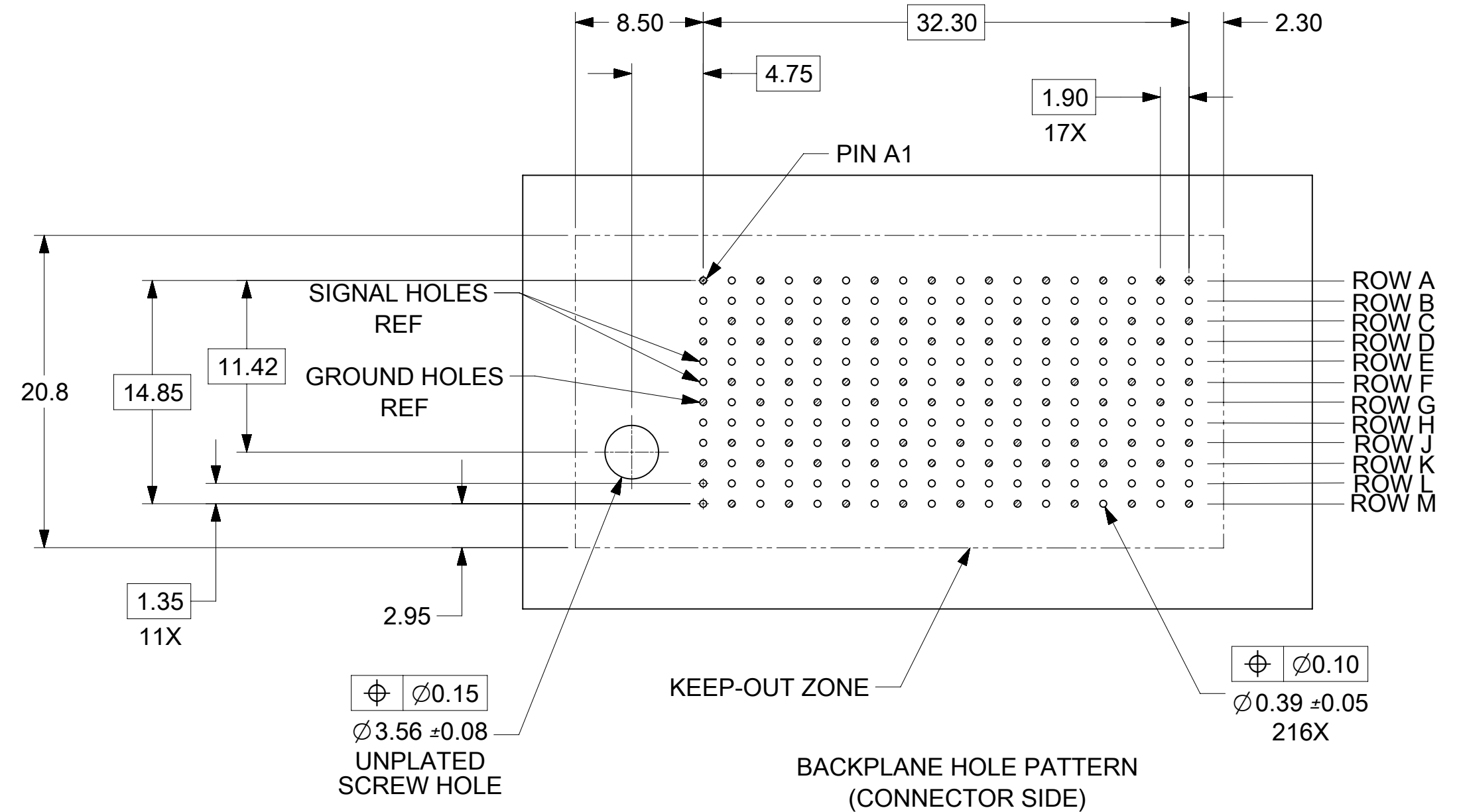
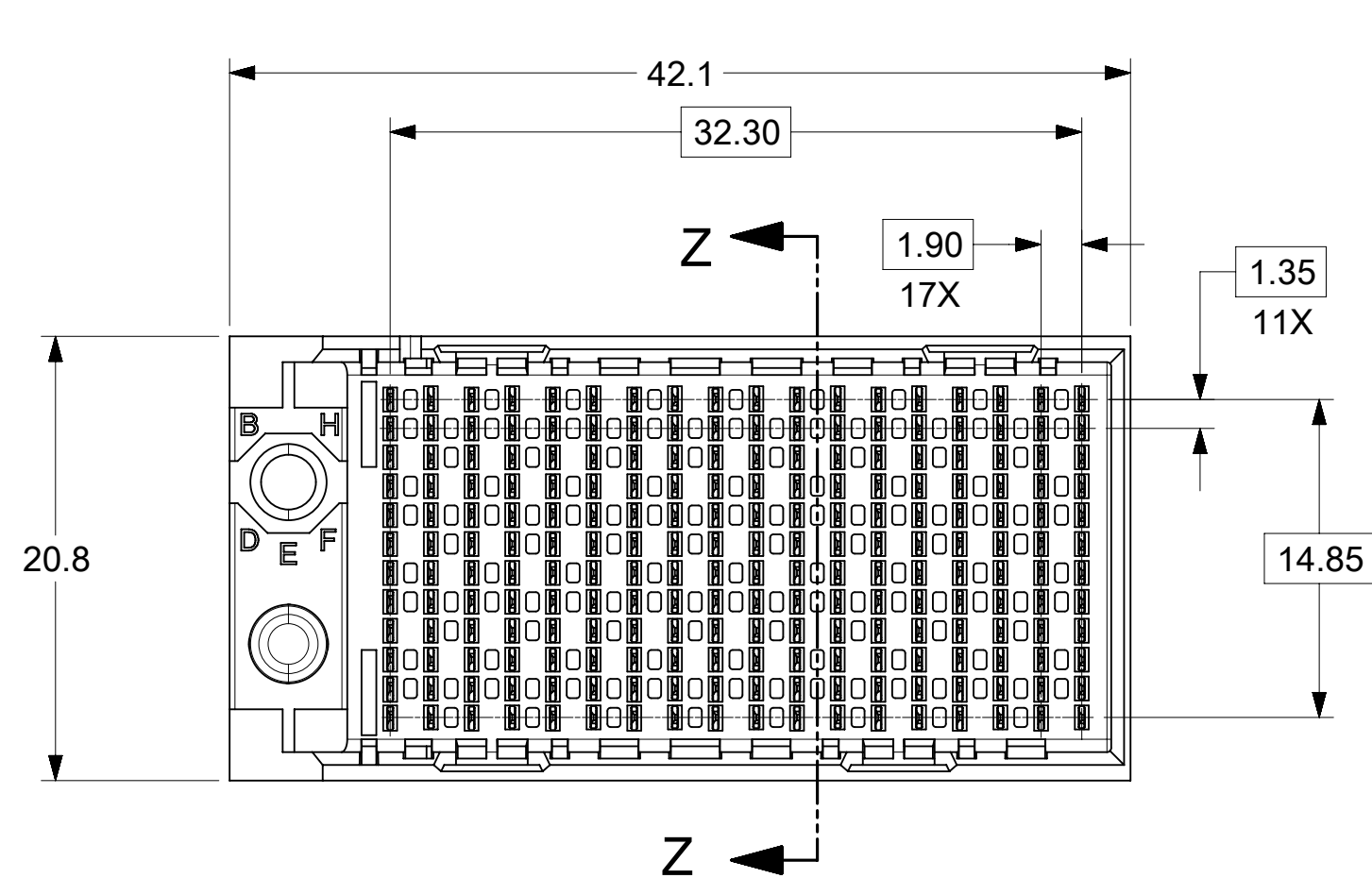
KEY ORIENTATION  
0 = NO KEY  
1 = A  
2 = B  
3 = C  
4 = D  
5 = E  
6 = F  
7 = G  
8 = H

SYMBOLS										THIS DRAWING CONTAINS INFORMATION THAT IS PROPRIETARY TO MOLEX ELECTRONIC TECHNOLOGIES, LLC AND SHOULD NOT BE USED WITHOUT WRITTEN PERMISSION									
DIMENSION UNITS		SCALE		CURRENT REV DESC: MIGRATED TO NX															
mm		4:1		molex															
GENERAL TOLERANCES (UNLESS SPECIFIED)		EC NO: 172491		IMPACT 4-PAIR 85-OHM LEFT GUIDED BACKPLANE SALES ASSEMBLY DRAWING															
ANGULAR TOL ± 0.5°		DRWN: VK10 2018/02/16		PRODUCT CUSTOMER DRAWING															
4 PLACES ±		CHK'D: DVARVARA 2018/02/20		DOCUMENT NUMBER															
3 PLACES ±		APPR: TELO 2018/02/22		SD-170335-0002															
INITIAL REVISION:		DRWN: JBINGHAM 2012/11/13		DOC TYPE DOC PART REVISION															
1 PLACE ± 0.25		APPR: JLAURX 2012/11/16		PSD 001 E1															
0 PLACES ±		DRAFT WHERE APPLICABLE MUST REMAIN WITHIN DIMENSIONS		THIRD ANGLE PROJECTION		DRAWING		SERIES		MATERIAL NUMBER		CUSTOMER		SHEET NUMBER					
C-SIZE		170335		SEE CHART		GENERAL MARKET		2 OF 3											

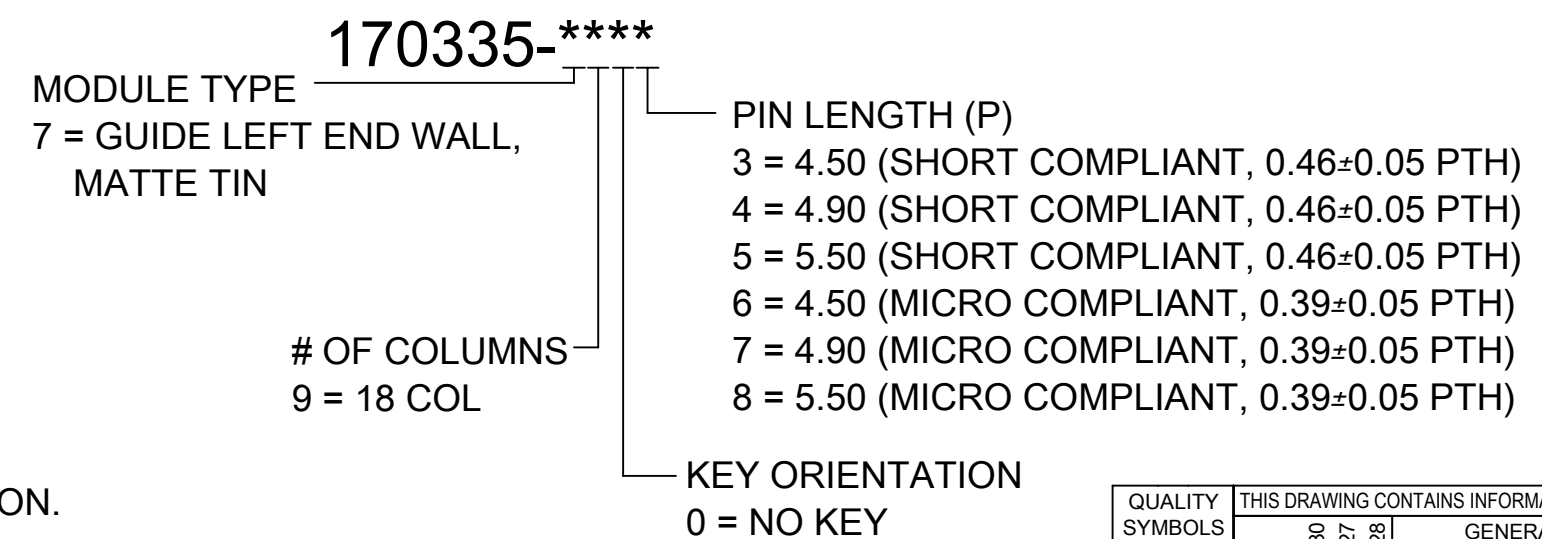
IMPACT 4 PAIR  
BOARD RELATIONSHIPS



THIS DRAWING CONTAINS INFORMATION THAT IS PROPRIETARY TO MOLEX ELECTRONIC TECHNOLOGIES, LLC AND SHOULD NOT BE USED WITHOUT WRITTEN PERMISSION									
SYMBOLS		DIMENSION UNITS		SCALE		CURRENT REV DESC: MIGRATED TO NX			
▽ = 0		mm		2:1		<b>molex</b> IMPACT 4-PAIR 85-OHM LEFT GUIDED BACKPLANE SALES ASSEMBLY DRAWING PRODUCT CUSTOMER DRAWING			
▽ = 0		GENERAL TOLERANCES (UNLESS SPECIFIED)							
▽ = 0		ANGULAR TOL ± 0.5°							
▽ = 0		4 PLACES ±							
▽ = 0		3 PLACES ±							
▽ = 0		2 PLACES ± 0.13				EC NO: 172491 DRWN: VK10 2018/02/16 CHK'D: DVARVARA 2018/02/20 APPR: TELO 2018/02/22			
▽ = 0		1 PLACE ± 0.25				INITIAL REVISION: DRWN: JBINGHAM 2012/11/13 APPR: JLAURX 2012/11/16			
▽ = 0		0 PLACES ±				DOCUMENT NUMBER <b>SD-170335-0002</b>			
▽ = 0		DRAFT WHERE APPLICABLE MUST REMAIN WITHIN DIMENSIONS		THIRD ANGLE PROJECTION		DRAWING		SERIES	
				C-SIZE		170335		MATERIAL NUMBER SEE CHART	
						GENERAL MARKET		DOC TYPE PSD	
								DOC PART 001	
								REVISION E1	
								SHEET NUMBER 3 OF 3	



# PART NUMBER LOGIC



- NOTES:
- MATERIALS: HOUSING - LIQUID CRYSTAL POLYMER (LCP) GLASS-FILLED, UL94V-0  
TERMINALS - HIGH PERFORMANCE COPPER ALLOY  
SELECTIVE TIN ON PCB TAILS.  
NICKEL OVERALL.
  - REFER TO MOLEX PRODUCT SPECIFICATION PS-170540-999 FOR PERFORMANCE SPECIFICATIONS AND ADDITIONAL PCB INFORMATION.
  - THIS PART CONFORMS TO CLASS B REQUIREMENTS OF MOLEX COSMETIC SPEC PS-45499-002.
  - PARTS PACKAGED PER PK-70873-757.
  - KEEP OUT ZONE FOR BP HOUSING LENGTH INCLUDES AN ADDITIONAL 1.0MM TO ACCOMMODATE FOR SPACE REQUIRED BY MATING PART.
  - REFER TO MOLEX PCB ROUTING GUIDE AS-76060-990 FOR ANTIPAD AND ROUTING RECOMMENDATIONS.
  - CONNECTOR IS SUPPLIED WITH A 2-56 UNC-2A SCREW.
  - THIS PART IS DESIGNED TO MATE WITH MEZZANINE SERIES 170390.

QUALITY SYMBOLS	THIS DRAWING CONTAINS INFORMATION THAT IS PROPRIETARY TO MOLEX ELECTRONIC TECHNOLOGIES, LLC AND SHOULD NOT BE USED WITHOUT WRITTEN PERMISSION		GENERAL TOLERANCES (UNLESS SPECIFIED)		DIMENSION UNITS	SCALE	<b>molex</b>
▽ = 0	2017/10/30	2017/11/27	ANGULAR TOL ± 0.5 °		MM	3:1	
▽ = 0	DRWN: NIMUNIVENKATA	CHKD: PRAMASWAMY	4 PLACES ±	DRWN BY	DATE		
▽ = 0	MIGRATED TO NX	2017/11/28	3 PLACES ±	BJMILLER	2012/09/27		IMPACT 4 PAIR HEADER 85 OHM, 18 COLUMN LEFT GUIDE SALES DWG
▽ = 0	EC NO: 168664	2017/11/27	2 PLACES ± 0.13	CHKD BY	DATE		
▽ = 0	DRWN: NIMUNIVENKATA	2017/11/27	1 PLACE ± 0.25	PRAMASWAMY	2017/11/27		PRODUCT CUSTOMER DRAWING
▽ = 0	CHKD: PRAMASWAMY	2017/11/28	0 PLACES ±	APPR BY	DATE		
▽ = 0	REV: APPR: PRAMASWAMY		DRAFT WHERE APPLICABLE MUST REMAIN WITHIN DIMENSIONS		DRAWING SIZE	THIRD ANGLE PROJECTION	SERIES
▽ = 0					C		170335
							SEE CHART
							GENERAL MARKET
							DOCUMENT NUMBER
							SD-170335-7903
							DOC TYPE
							PSD
							DOC PART
							001
							SHEET NUMBER
							1 OF 1