

Splice box - FOC-SB-FR19:1U-LCD24-OM2 GY - 1418816

Please be informed that the data shown in this PDF Document is generated from our Online Catalog. Please find the complete data in the user's documentation. Our General Terms of Use for Downloads are valid (<http://phoenixcontact.com/download>)

Splice box, type: 19" rack patch module, degree of protection: IP20, material: Sheet steel, connection method: Splicing, color: light grey RAL 7035, Ethernet



19" splice box, gray, 24 x LC duplex OM2

Product Description

19" FDX 20 series splice boxes, 1 RU, with removable drawer, for 24x LC duplex OM2, gray, completely ready to splice (correctly pre-mounted: 24 ceramic couplings, 48 pigtails, 4 cassettes, 8 combs, 1 cassette cover, and 48x shrink splice protectors). 4 cable entries (rear) incl. 4 M20 cable glands, measurement protocol and 19" mounting set.

Your advantages

- removable drawer with quick release
- easy to remove drawer
- high-quality individual components
- 100 % control including measurement protocol
- fully prepared ready to splice
- 4 cable entries including 4 cable glands
- including 19" mounting set
- including shrink splice protection
- easy to install



Key Commercial Data

Packing unit	1 pc
GTIN	
GTIN	4055626151700

Technical data

Mechanical characteristics

Connection method	Splicing
Number of slots	48
No. of cable outlets	4

Splice box - FOC-SB-FR19:1U-LCD24-OM2 GY - 1418816

Technical data

Mechanical characteristics

Locking type	Push Pull
Weight	4221 g
Type	19" rack patch module
Flammability rating according to UL 94	V0

Ambient conditions

Ambient temperature (operation)	-10 °C ... 60 °C
Degree of protection	IP20

Material data

Housing material	Sheet steel
Housing surface material	Powder-coated, gray
Width	483 mm
Height	43.8 mm
Depth	329 mm
Mounting type	Screw mounting

Standards and Regulations

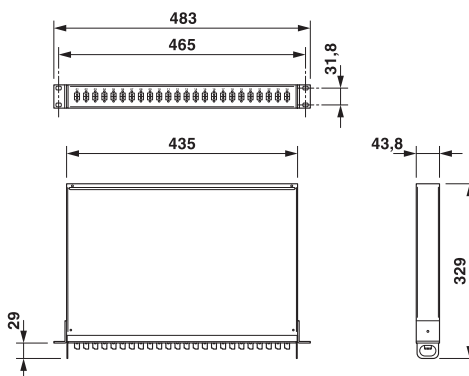
Flammability rating according to UL 94	V0
--	----

Environmental Product Compliance

China RoHS	Environmentally friendly use period: unlimited = EFUP-e
	No hazardous substances above threshold values

Drawings

Dimensional drawing



Classifications

eCl@ss

eCl@ss 10.0.1	19170113
eCl@ss 11.0	19170113

Splice box - FOC-SB-FR19:1U-LCD24-OM2 GY - 1418816

Classifications

eCl@ss

eCl@ss 4.0	27140800
eCl@ss 4.1	27140800
eCl@ss 5.0	27143400
eCl@ss 5.1	27143400
eCl@ss 6.0	27261200
eCl@ss 7.0	27440210
eCl@ss 9.0	27440210

ETIM

ETIM 4.0	EC002310
ETIM 6.0	EC002310
ETIM 7.0	EC002310

UNSPSC

UNSPSC 6.01	31261501
UNSPSC 7.0901	31261501
UNSPSC 11	31261501
UNSPSC 12.01	31261501
UNSPSC 13.2	39121421
UNSPSC 18.0	39121421
UNSPSC 19.0	39121421
UNSPSC 20.0	39121421
UNSPSC 21.0	39121421

Approvals


Approvals

Approvals

EAC

Ex Approvals

Approval details

EAC		B.01687
-----	---	---------

Splice box - FOC-SB-FR19:1U-LCD24-OM2 GY - 1418816

Accessories

Accessories

Data cable preassembled

FO patch cable - FOC-LC:A-LC:A-GZ01/... - 1405688



Assembled FO cable, zip cord cable, multi-mode fiberglass 50/125 µm, OM2, plug: LC/LC, degree of protection: IP20, for installation in cable ducts or control cabinets

FO patch cable - FOC-ST:A-LC:A-GZ01/... - 1405706



Assembled FO cable, zip cord cable, multi-mode fiberglass 50/125 µm, OM2, plug: B-FOC (ST)/LC, degree of protection: IP20, for installation in cable ducts or control cabinets

FO patch cable - FOC-SC:A-LC:A-GZ01/... - 1405691



Assembled FO cable, zip cord cable, multi-mode fiberglass 50/125 µm, OM2, plug: SC duplex/LC, degree of protection: IP20, for installation in cable ducts or control cabinets

FO patch cable - FOC-LC:A-SJ:A-GZ01/... - 1405694



Assembled FO cable, zip cord cable, multi-mode fiberglass 50/125 µm, OM2, plug: LC/SC-RJ, degree of protection: IP20, for installation in cable ducts or control cabinets

Data plug

FO accessories - FOC-TOOL-FERRULECLEANER-1.25 - 1407032



Ferrule cleaner, 1.25 mm, for LC, approx. 500 cleaning cycles

Splice box - FOC-SB-FR19:1U-LCD24-OM2 GY - 1418816

Accessories

FO accessories - FOC-TOOL-STICKCLEANER-1.25 - 1407000



Stick cleaner for couplings and plug end faces, 1.25 mm (LC), Pcs. / Pkt.: 10

Marshalling panel - CUC-PP-PATCHBAY - 1407994

Marshalling panel, type: 19" rack/fix housing, degree of protection: IP20, material: Steel, powder-coated, connection method: Screw connection (in connection with the base element), color: light grey RAL 7035



Marshalling panel - CUC-PP-PATCHBAY-MH - 1409283

Marshalling panel, type: 19" rack/fix housing, degree of protection: IP20, material: Steel, powder-coated, connection method: Screw connection (in connection with the base element), housing size: 1, color: light grey RAL 7035



19" mounting frame - CUC-PP-FRAME-19 - 1407986

19" panel mounting frame, empty modular distribution panel, for using 8 modules (6 x RJ45 each) with 48 connections in total, 1 HE, color similar to RAL 7035



Phoenix Contact 2021 © - all rights reserved
<http://www.phoenixcontact.com>

PHOENIX CONTACT GmbH & Co. KG
Flachmarktstr. 8
32825 Blomberg
Germany
Tel. +49 5235 300
Fax +49 5235 3 41200
<http://www.phoenixcontact.com>