

PART NO MATRIX

W 0 C 0 0 7 X X X M X X X X

W0 =
ULTRA LOCK
SINGLE ENDED

POLES:
C = 12 POLES

HEADER:
007 = MALE RIGHT ANGLE

CABLE:
H45 = PUR BLACK

UNIT:
M = METER

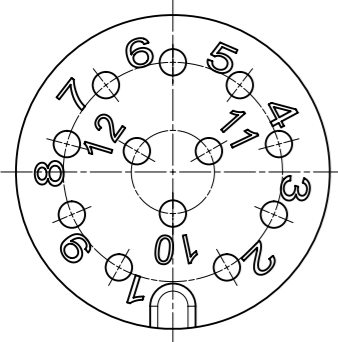
LENGTH EXAMPLE:
020 = 2 m
050 = 5 m
200 = 20 m

COUPLING NUT
MATERIAL :
BLANK = STANDARD
1- STAINLESS STEEL
5-DELTRIN
7-TEFLON COATED
H-2 PIECES OF I/D CARRIER

MOLDING COLOR:
BLANK = PUR (STANDARD)
A = GRAY
Y = YELLOW PUR

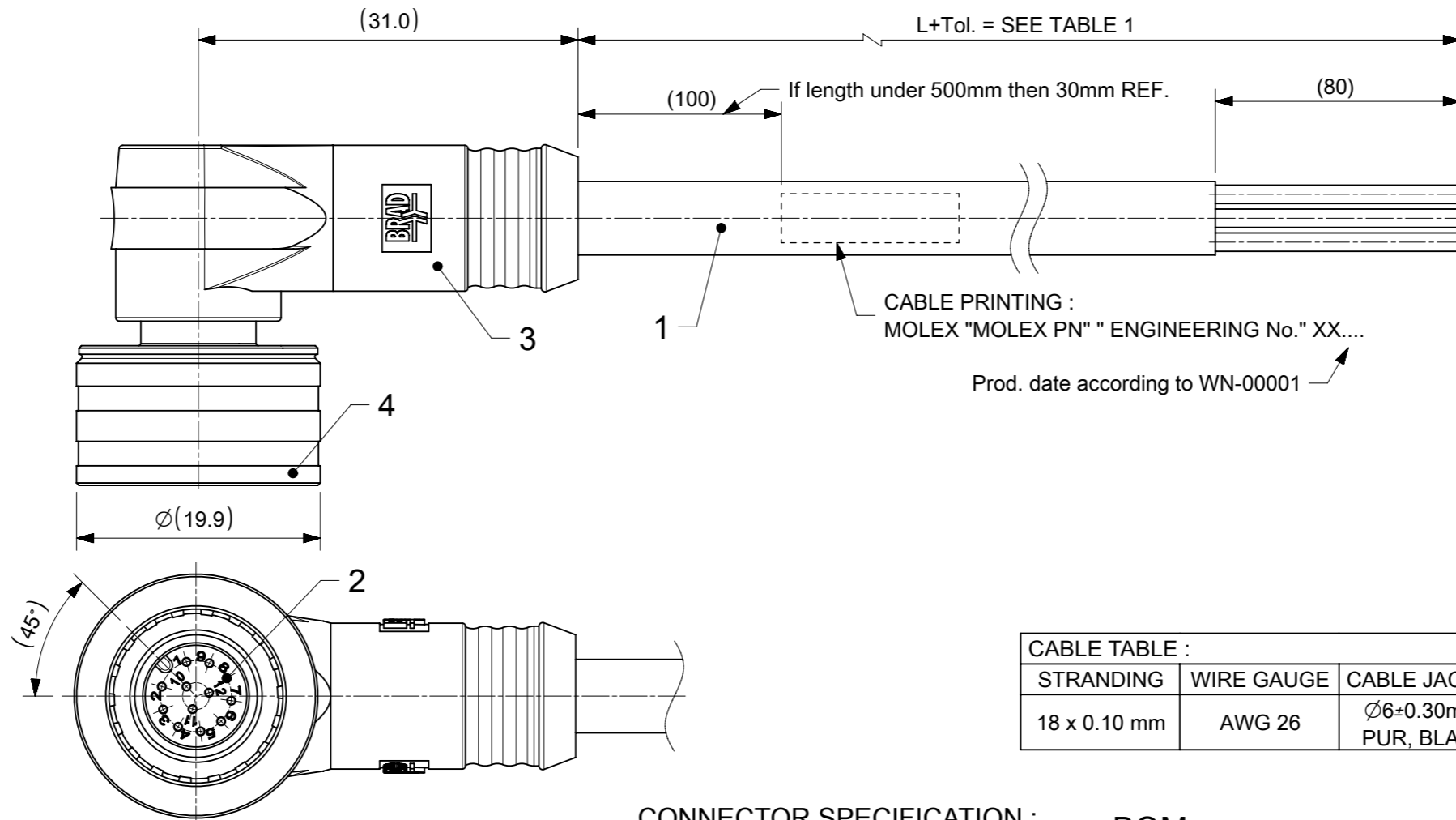
OPTIONS

M12 12 POLE
MALE



VIEW FROM THE FRONT SIDE

PIN	COLOR
1	WHITE
2	BROWN
3	GREEN
4	YELLOW
5	GRAY
6	PINK
7	BLUE
8	RED
9	BLACK
10	VOILET
11	GRAY/PINK
12	RED/BLUE



CABLE PRINTING :
MOLEX "MOLEX PN" " ENGINEERING No." XX....

Prod. date according to WN-00001

CABLE TABLE :

STRANDING	WIRE GAUGE	CABLE JACKET	UL	CSA	STATIC	HALOGEN FREE
18 x 0.10 mm	AWG 26	Ø6±0.30mm, PUR, BLACK	UL 758, STYLE 20549	CSA-C22.2	12.5xD	IEC 60754

CABLE LENGTH TOLERANCES

OVER [mm]	UP TO AND INCLUDING [mm]	TOLERANCES [mm]
0	305	+19
305	915	+45
915	1830	+56
1830	3660	+89
3660	7320	+165
7320	14640	+317
14640	30500	+610
30500	>	+2% OF FINISHED LENGTH

TABLE 1

MOLEX P/N	ENGINEERING NO.	LENGTH (mm)
1200795118	W0C007H45M020	2000
1200798056	W0C007H45M010	1000
1200798057	W0C007H45M030	3000
1200798058	W0C007H45M050	5000
1200798067	W0C007H45M020Y	2000
1200798068	W0C007H45M010Y	1000
1200798069	W0C007H45M030Y	3000
1200798070	W0C007H45M050Y	5000

VIEW FROM FRONT SIDE

WIRING DIAGRAM

1	WHITE
2	BROWN
3	GREEN
4	YELLOW
5	GRAY
6	PINK
7	BLUE
8	RED
9	BLACK
10	VOILET
11	GRAY/PINK
12	RED/BLUE

CONNECTOR SPECIFICATION :

ELECTRICAL DATA :
VOLTAGE RATING : 30V
AMPERAGE RATING : 1.5A
IP PROTECTION : IP67

CABLE SPECIFICATION :

CONDUCTOR :
MATERIAL : BARE COPPER
SECTION : 26 AWG
STRANDING : 18x0.10 mm

INSULATION :

COMPOUND : PP
DIAMETER : Ø1±0.10 mm

JACKET :

COMPOUND : PUR
COLOR : BLACK
DIAMETER : Ø6±0.30 mm

HALOGEN FREE : IEC 60754

BOM

ITEM	QTY	DESCRIPTION	MATERIAL	FINISH
4	1	ULTRALOCK ASSEMBLY	SEE PART LIST	SEE PART LIST
3	-	MOULDING	SEE MATRIX	SEE MATRIX
2	12	M12 M Contact-12pol	BRASS	GOLD OVER Ni-PLATED
1	-	CABLE	PUR	BLACK

THIS DRAWING CONTAINS INFORMATION THAT IS PROPRIETARY TO MOLEX ELECTRONIC TECHNOLOGIES, LLC AND SHOULD NOT BE USED WITHOUT WRITTEN PERMISSION

SYMBOLS: DIMENSION UNITS: mm SCALE: 2:1

GENERAL TOLERANCES (UNLESS SPECIFIED): ANGULAR TOL ± °

EC NO: 622841
DRWN: MDHARMANTI 2019/07/16
CHK'D: RSILLER 2019/08/22
APPR: RSILLER 2019/08/22

INITIAL REVISION:
DRWN: MDHARMANTI 2019/07/16
APPR: RSILLER 2019/08/22

PRODUCT CUSTOMER DRAWING

DOCUMENT NUMBER: 1200795118 DOC TYPE: PSD DOC PART: 000 REVISION: A

MATERIAL NUMBER: SEE TABLE 1 CUSTOMER: GENERAL MARKET SHEET NUMBER: 1 OF 1

DRAFT WHERE APPLICABLE MUST REMAIN WITHIN DIMENSIONS

THIRD ANGLE PROJECTION

DRAWING: A3-SIZE SERIES: 120079