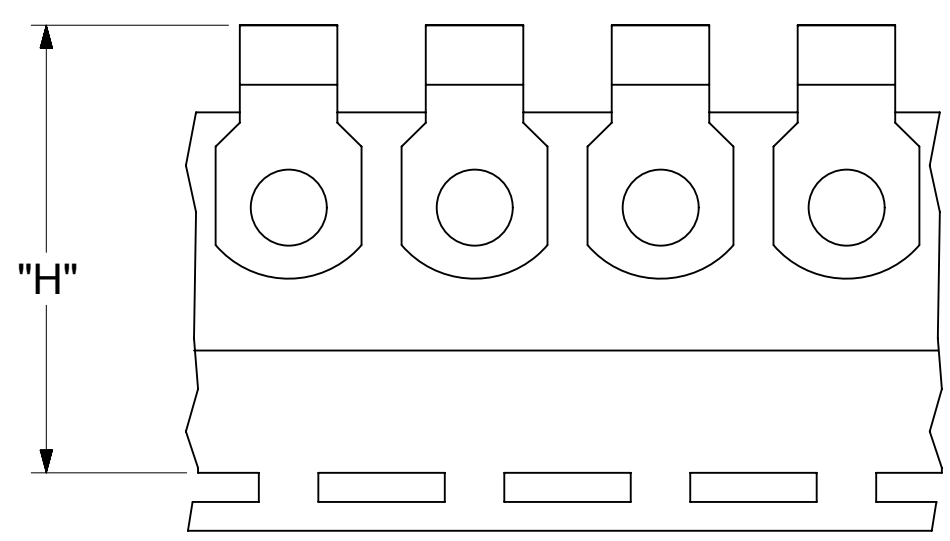
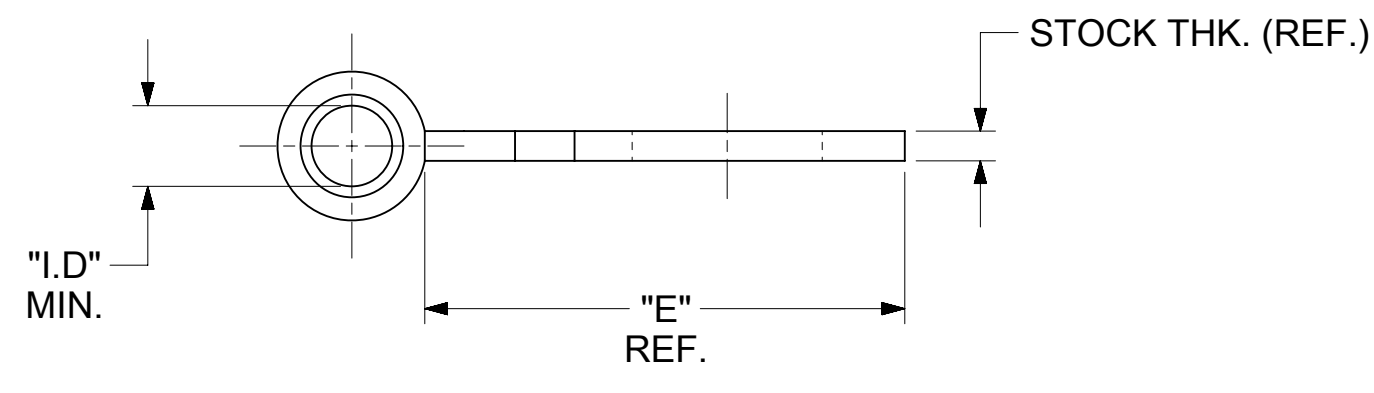
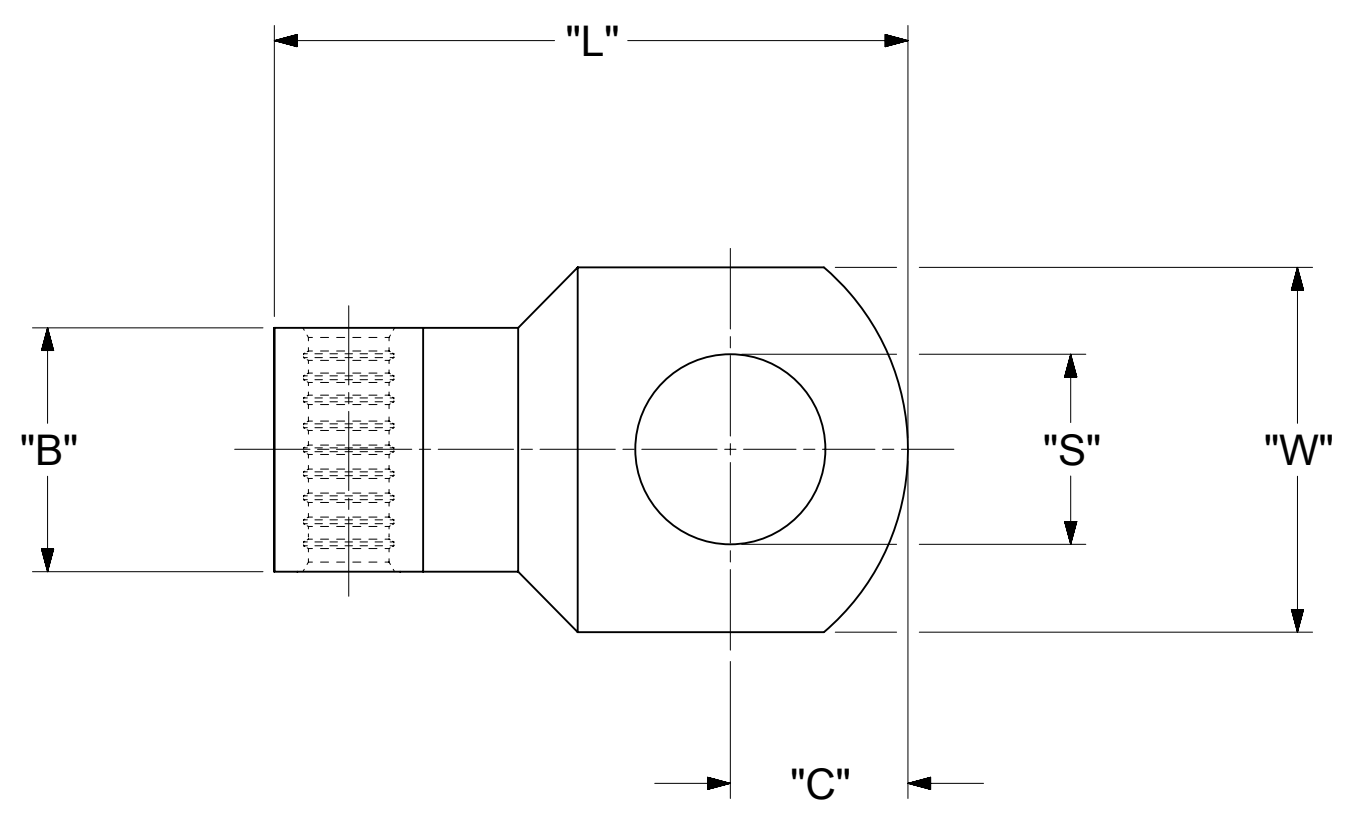


LOOSE PIECE		TAPE MOUNTED		SPECIFICATIONS								
MATERIAL NUMBER	ENGINEERING NUMBER	MATERIAL NUMBER	ENGINEERING NUMBER	STUD SIZE	"S" ±.005 [0.13]	"W" ±.010 [0.25]	"C" MAX.	"L" MAX.	"B" MIN.	"E" REF.	"I.D." MIN.	"H"
190410001	A-142-06	---	---	6	.146 [3.71]	.380 [9.65]	.187 [4.75]	.680 [17.27]	.245 [6.22]	.500 [12.70]	.057 [1.45]	1.259 [31.98]
190410003	A-142-08	190410004	A-142-08T	8	.173 [4.39]							
190410005	A-142-10	---	---	10	.198 [5.03]							



PARTS ON TAPE

A1

- NOTES:
- MATERIAL: COPPER (STOCK THICKNESS .032 [0.81])
PLATING: ELECTRO-TIN (.0003 MIN).
 - WIRE SIZE: 22 - 18 AWG
0.25 - 1.5 MM²
 - ALL DIMENSIONS IN INCHES/[MM].
 - PARTS ARE ROHS COMPLIANT.
 - DIMS. SHOWN ARE FOR REFERENCE ONLY.

THIS DRAWING CONTAINS INFORMATION THAT IS PROPRIETARY TO MOLEX ELECTRONIC TECHNOLOGIES, LLC AND SHOULD NOT BE USED WITHOUT WRITTEN PERMISSION											
SYMBOLS		DIMENSION UNITS		SCALE		CURRENT REV DESC: NOTES UPDATED					
▽ = 0	INCH/MM	NTS				molex FLAG RING TONGUE TERMINAL PRODUCT CUSTOMER DRAWING EC NO: 630254 DRWN: GROJAS01 2020/01/09 CHK'D: JMACNEIL 2020/01/10 APPR: JMACNEIL 2020/01/10 INITIAL REVISION: DRWN: EMF 1987/02/03 APPR:					
▽ = 0	GENERAL TOLERANCES (UNLESS SPECIFIED)										
▽ = 0		MM	INCH								
▽ = 0	4 PLACES	±	---	±	---						
▽ = 0	3 PLACES	±	---	±	0.005						
▽ = 0	2 PLACES	±	0.13	±	0.01						
▽ = 0	1 PLACE	±	0.25	±	---						
▽ = 0	0 PLACES	±	---	±	---						
▽ = 0	ANGULAR TOL	±	0.5°			THIRD ANGLE PROJECTION		DRAWING		SERIES	
▽ = 0	DRAFT WHERE APPLICABLE MUST REMAIN WITHIN DIMENSIONS					C-SIZE		19041		19041	
DOCUMENT NUMBER		CUSTOMER		SHEET NUMBER		MATERIAL NUMBER		CUSTOMER		SHEET NUMBER	
ACD10701		GENERAL MARKET		1 OF 1		SEE TABLE		GENERAL MARKET		1 OF 1	