

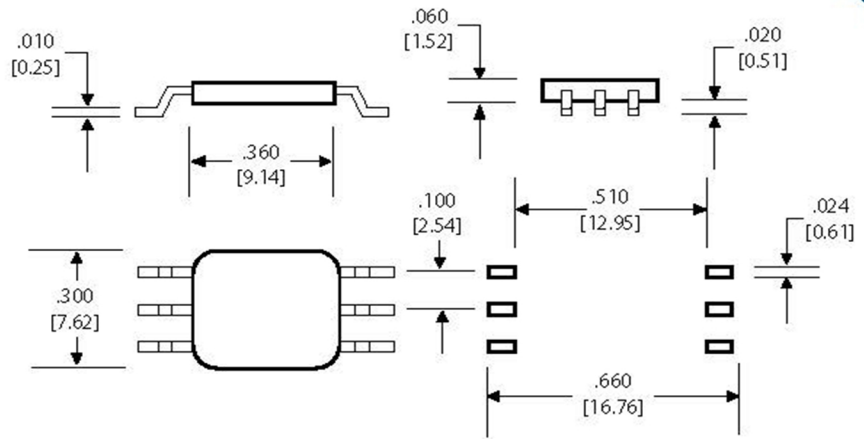


Phone: (800) 694-8089
www.lodestonepacific.com
E-mail: sales@lodestonepacific.com

STM366-6

Material: DAP4 (Black)
UL Rating: UL94-V0, Class F
6 Terminals: Phosphorus Bronze
.020 (.6mm) x .010 (.25mm), 100% Tin Plate.
Solderability: MIL-STD-202
Method 208
Package Tray (HIPS): TY45x70-B (150/tray)
See RoHS compliant PVC packaging trays,
on page 57.
Application: For gull wing surface
mount of wound toroids and balun cores
up to .360 inches in diameter. STM365-6
with Alloy 42 terminals is still available.

Made in our China Factory



[Request a Sample](#)

[View Inventory](#)

[Request a Quote](#)

[Toroid Mount Selector](#)

[REACH Database](#)

[Coil Winder Database](#)