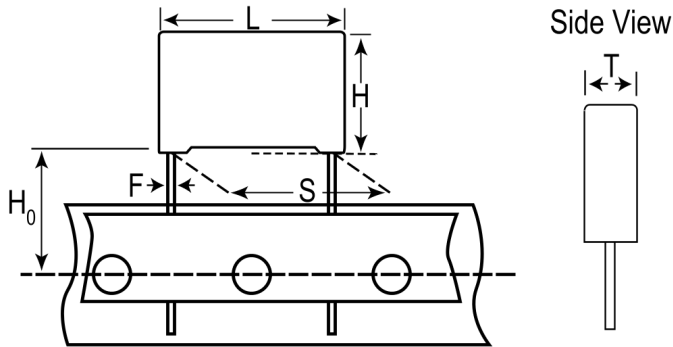


## R74LF2100CK00J

Aliases (74LF2100CK00J)

Not for New Design

R74, Film, Metallized Polypropylene, Automotive Grade, 0.01 uF, 5%, 630 VDC, 85°C, Lead Spacing = 10mm



Click [here](#) for the 3D model.

### Dimensions

L	13mm +0.2/-0.5mm
H	9mm +0.1/-0.5mm
T	4mm +0.2/-0.5mm
S	10mm +0.6/-0.1mm
H <sub>0</sub>	18.5mm +/-0.5mm
F	0.6mm +/-0.05mm

### Packaging Specifications

Packaging	T&R, Large
Packaging Quantity	1500

### General Information

Series	R74
Dielectric	Metallized Polypropylene
Style	Radial
Features	Automotive Grade, Pulse
RoHS	Yes
Lead	Wire Leads
Qualifications	AEC-Q200
AEC-Q200	Yes
Miscellaneous	Above 85C DC And AC Voltage Derating Is 1.25%/C.
Notes	Series Replaced by R75.

### Specifications

Capacitance	0.01 uF
Capacitance Tolerance	5%
Voltage AC	250 VAC
Voltage DC	630 VDC
Temperature Range	-55/+105°C
Rated Temperature	85°C
Dissipation Factor	0.01% 1kHz, 0.02% 10kHz, 0.08% 100kHz
Insulation Resistance	100 GOhms
Max dV/dt	300 V/us
Resistance	63.7 mOhms (100kHz)
Ripple Current	1.6 Amps (100kHz 85C), 3 Amps (Peak)
Inductance	9 nH