

PuIM-25G2SF-MLX

Mellanox ConnectX-4 Lx based Network Interface Card support Dual 25GbE with 2 x SFP28 and PCIe 3.0 x8 Interface



Features

- 1 x Mellanox ConnectX-4 Lx EN
- 2 x 25 GbE SFP28 connectors
- PCIe 3.0 x8
- RoHS / CE / FCC compliant

Specifications

Model Name	PuIM-25G2SF-MLX		PuIM-25G2SF/T-MLX
Form Factor	IEI Networking Module		
NIC	Mellanox ConnectX-4 Lx EN		
LAN Interface	SFP28		
Speed	1GbE/10GbE/25GbE		
Ports	2		
Host Interface	PCIe 3.0 x8		
Storage Temp.	-20°C ~ 75°C (-4°F ~ 167°F)		
Operating Temp.	0°C ~ 40°C (32°F ~ 104°F)		
Humidity	5% ~ 90% RH, Non-condensing		
Dimensions (mm)	165.50 (L) x 77.8 (W) x 44.2 (H)		
Compliance	CE / FCC / RoHS		
Support Device	PUZZLE-IN001 PUZZLE-IN001A PUZZLE-IN004	PUZZLE-A001 PUZZLE-A001A	PUZZLE-IN005

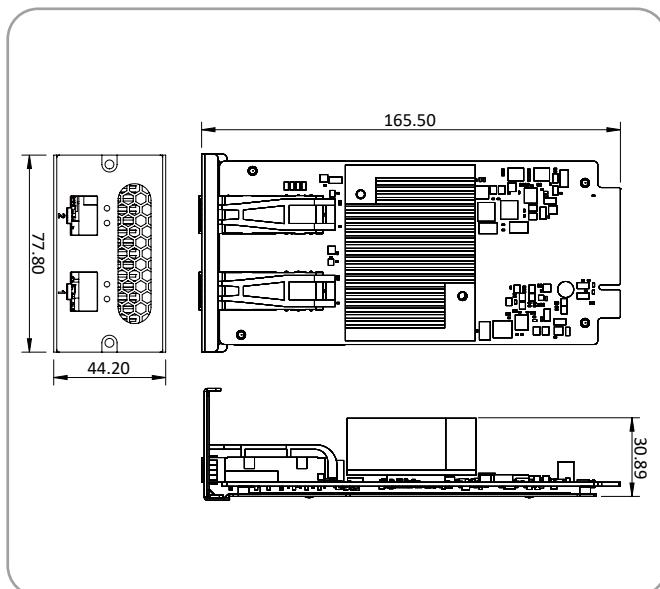
Ordering Information

Part No.	Description
PuIM-25G2SF-MLX-R10	Mellanox ConnectX-4 Lx based Network Interface Card support Dual 25GbE with 2 x SFP28 by 1 PCIe 3.0 x 8 Interface, RoHS
PuIM-25G2SF/T-MLX-R10	Mellanox ConnectX-4 Lx based Network Interface Card support Dual 25GbE with 2 x SFP28 by 1 PCIe 3.0 x 8 Interface, RoHS

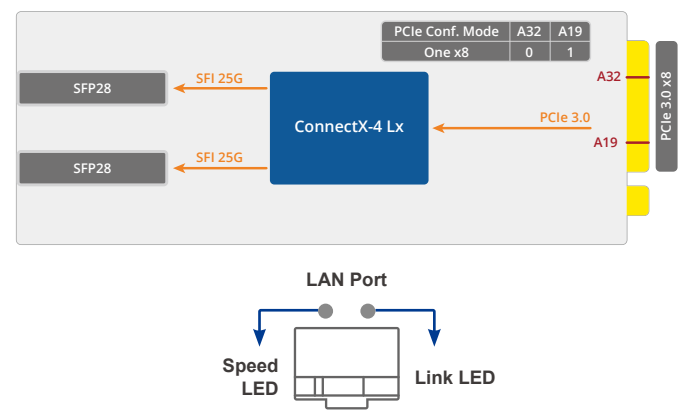
Packing List

Part No.	L-shaped T10 PuIM Wrench	Torx Screws	QIG
PuIM-25G2SF-MLX-R10	1	2	1
PuIM-25G2SF/T-MLX-R10	N/A	N/A	1

Dimensions (Unit: mm)



Block Diagram



LED	State	Description
Link (Right)	Yellow	Active
Speed (Left)	Green	25 Gbps data rate
	Yellow	10 Gbps/1 Gbps data rate