

PICADE

2019.01.03

10" SCREEN UPGRADE

NOTE!

This is for users with an already built 2018 edition Picade who want to upgrade the screen. Complete these steps, then turn over.

i. Removing the existing screen

Remove the back door and unplug the three cables from the display driver board (micro-USB, HDMI, ribbon cable). Unscrew all the bolts from side panel D and remove the panel; you may need to disconnect the spade connectors from the button on the side panel.

ii. Disassembling the existing screen

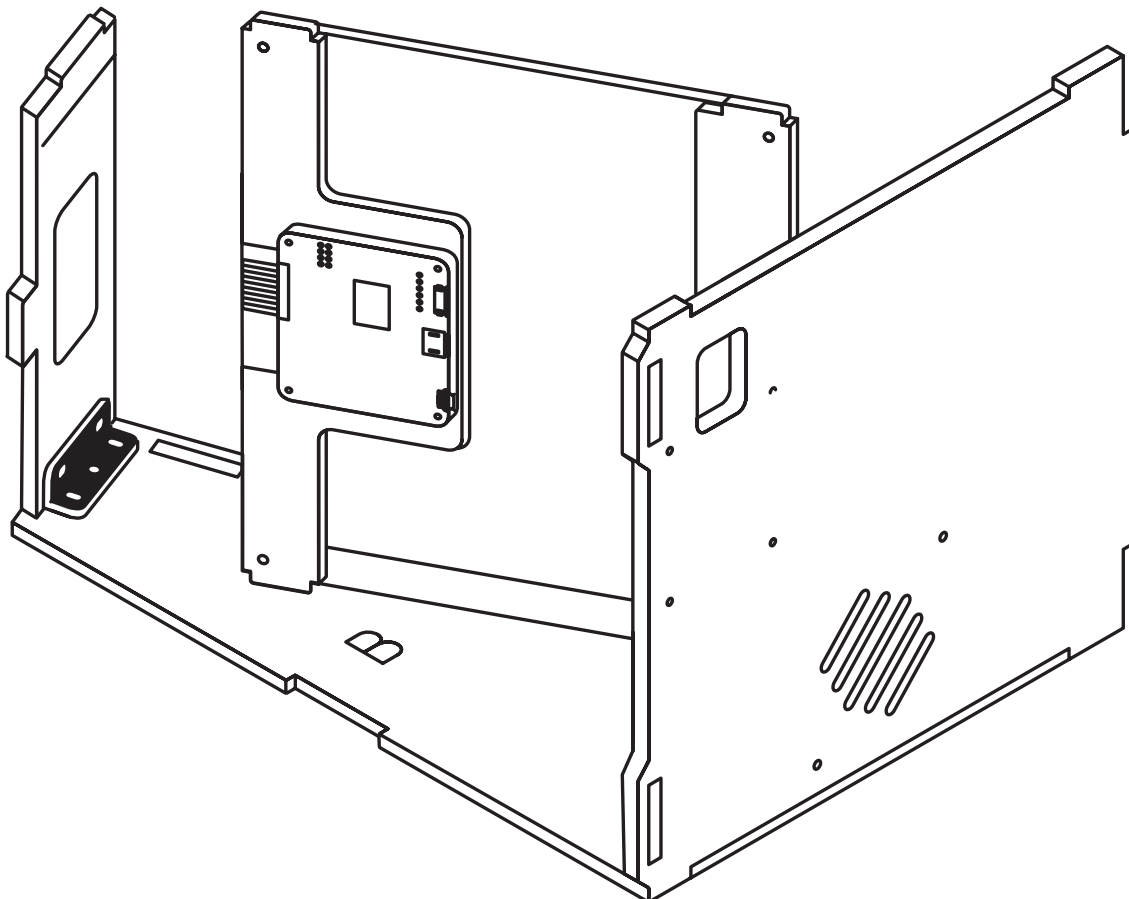
Remove the marquee pieces and lay them aside. Remove the whole screen assembly and remove the nuts and bolts from the four corners of the screen assembly.

You'll be using these M3 nuts and bolts (although just two of them) to hold the new 10" assembly together.

You'll also need the BASE 2 piece and the large front acrylic piece from the existing 8" screen assembly, so set those aside.

Note that the keypad and keypad ribbon cable are interchangeable between the 8" and 10" displays, so you can use your existing one if you wish.

Move on to 2. Building the screen now, and then follow i) in reverse to reassemble the cabinet when you've built the new 10" screen assembly.



PICADE

2019.01.03

10" SCREEN ADDENDUM

NOTE!

This sheet replaces the whole of 'Section 2. Building the screen' on the colour instruction sheet, so please use the instructions on this sheet in place of that section!

UPGRADING?

If you're upgrading an existing Picade, see the other side first.

2. Building the Screen

Open the SCREEN box, containing the screen and associated bits. The acrylic that goes in front of the screen is the large, approximately square piece that is in the CABINET box.

All of the acrylic pieces, including the screen acrylic, will have white protective film on. Peel this off each of the pieces as you use them.

Take the screen acrylic and lay it down with the tabs on either side. Lay the black card screen surround on top, with the tabs aligned with the acrylic piece. The narrower edges should be at the left and right. One of these sides is very slightly narrower than the other (~6mm vs. ~5mm), and the narrower side should be laid at the left hand side.

Place the narrow acrylic piece that says BASE 1 at the base of the screen assembly, so that the text is readable as you look at it.

Peel the protective film off the screen, and place it onto the screen assembly, so that the metal tabs fit into the v-shaped slots on the BASE 1 piece, and the connector is towards the top edge.

Before adding the final parts of the screen assembly, attach the display driver board to its acrylic bracket. Take the acrylic piece (marked TOP 2), and place it with the protruding part pointing downwards. Push four M2.5 bolts through from the back of the acrylic, and then attach the driver board with four M2.5 nuts, making sure that the HDMI and micro-USB ports are towards the base, and the ribbon cable connector is towards the cutout at the top.

Note that the top part of the 10" screen assembly is not held together with nuts and bolts, but will be held in place by the tabs and slots once the cabinet is screwed back together. You might want to use a couple of pieces of masking tape to hold things in place until you get the cabinet back together.

Place the acrylic piece marked BASE 2 at the base of the screen assembly, so that the BASE 2 text is readable. Place the TOP 2 bracket with the driver board towards the centre of the screen. We'll fit the whole assembly into the cabinet before connecting the ribbon cable.

Lay the keypad and cable aside for later.

Slot the whole screen assembly into the side of the casing that you've assembled. The driver board should be closest to the top of the cabinet.

Move onto 'Section 3. The marquee' now, and fit the marquee, and secure the whole cabinet together to hold the screen assembly in place.

Take the ribbon cable, and hold it with the blue end facing upwards. Gently flip up the black clip on the driver board, slot the blue end into the connector and push the clip down again. The other end of the cable with the metal connector clicks into the connector at the top of the display. Use a fingernail to make sure that it's pushed all the way in.

You may now return to the main instruction sheet and carry on.

