



**12W Adapter Style Constant Current LED Driver
PDA012A Wall Plug LED Power Supply**



Features

- Low Profile Design
- OVP, IOCP, Over-Load and Short-Circuit Protection
- Power Factor Correction
- Low Cost Fixed Wall Plug
- IP20 Rating
- SELV Compliant
- UL 8750 Compliant
- Very Low Leakage
- Class 2 Output

Applications

- Indoor Lighting
- Floor Lamps

Safety Approvals (PENDING)

- cUL/UL

Mechanical Characteristics

- Length: 71.5mm (2.81in)
- Width: 33.75mm (1.33in)
- Height: 46mm (1.81in)
- Weight: 85g (3.00oz)

Output Specifications

Model	DC Output Voltage			Output Current	Output Power
	Min.	Typ.	Max.		
PDA012A-350S-R	17V	-	34V	350mA	12W
PDA012A-700S-R	9V	-	17V	700mA	12W
PDA012A-1A0S-R	6V	-	12V	1000mA	12W
PDA012A-1A5S-R	6V	-	8V	1500mA	12W

Phihong is not responsible for any error, and reserves the right to make changes without notice. Please visit our website at www.phihong.com for the most up-to-date specifications and contact information.

INPUT:

AC Input Voltage
90 to 132VAC

Nominal AC Input Voltage
110 to 120VAC

Leakage Current
<0.25mA at 110VAC and maximum load

Maximum Input Current
≤500mA at full load, 120VAC

No-Load Power Draw
<300mW at 115VAC, 60Hz

OUTPUT:

Total Output Power
6W maximum

Efficiency
≥77% at nominal input voltage, full load
Meets requirements for Level V efficiency marking

Power Factor
≥0.9 at nominal input voltage, full load

ENVIRONMENTAL:

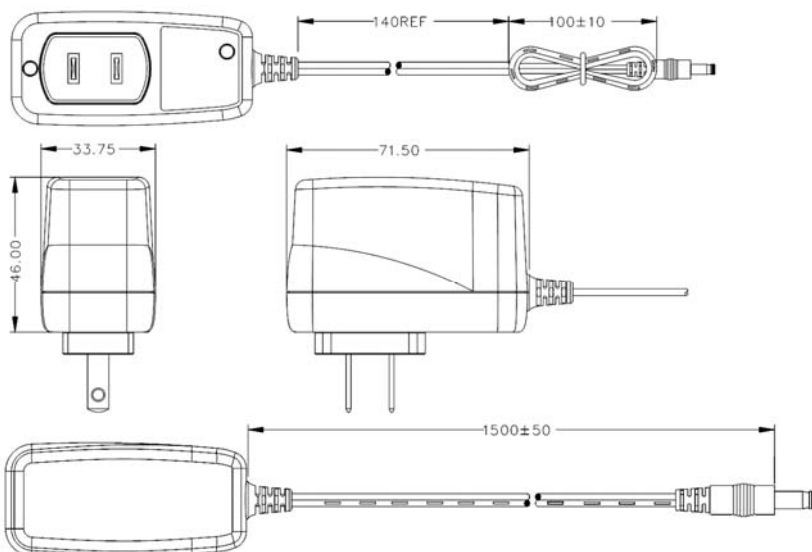
Operating Temperature 0 to +40°C
Storage Temperature -40 to +85°C

Operating Humidity 10 to 95%

Ingression Protection

IP20; plastic housing

Dimension Diagram Unit:mm



EMC

FCC Part 15 Class B

Immunity

EN61000-4-2
EN61000-4-4
EN61000-4-5
EN61000-4-11

Isolation Test

Primary to Secondary: 3000VAC, <10mA, 1 minute

Insulation Resistance

Primary to Secondary: 500VDC, >5M ohm, 1 minute

FEATURES:

Input Current Protection

The input power line will be fused with a 2A/250V time-lag fuse

Short Circuit

Auto restart without damage

Output Overvoltage Protection

Output should not exceed voltage limits, auto shut down

AC Input

Fixed Blade (North America)

DC Output

2.1mm x 5.5mm x 9.5mm center positive barrel

Lifespan

20K Hours minimum at max load