

# Customer Information Sheet

DRAWING No.: M83-LML3M5NXX-0000-000

SHEET 2 OF 2

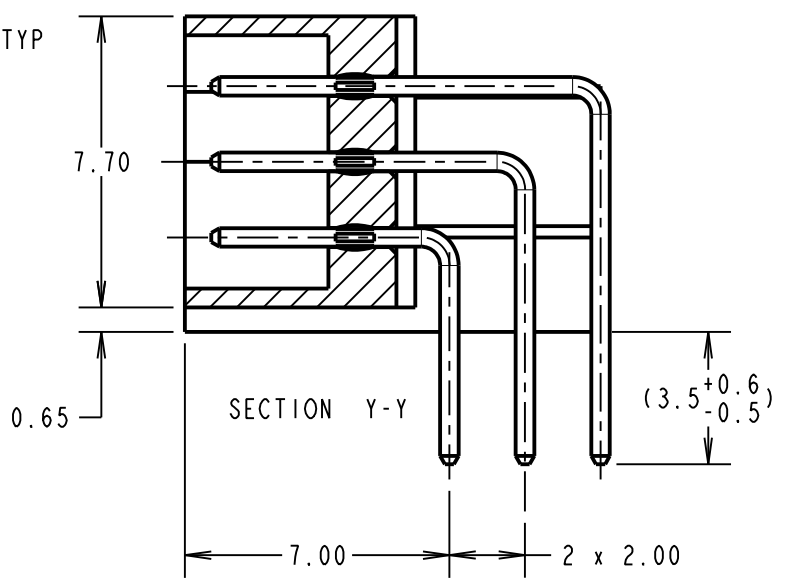
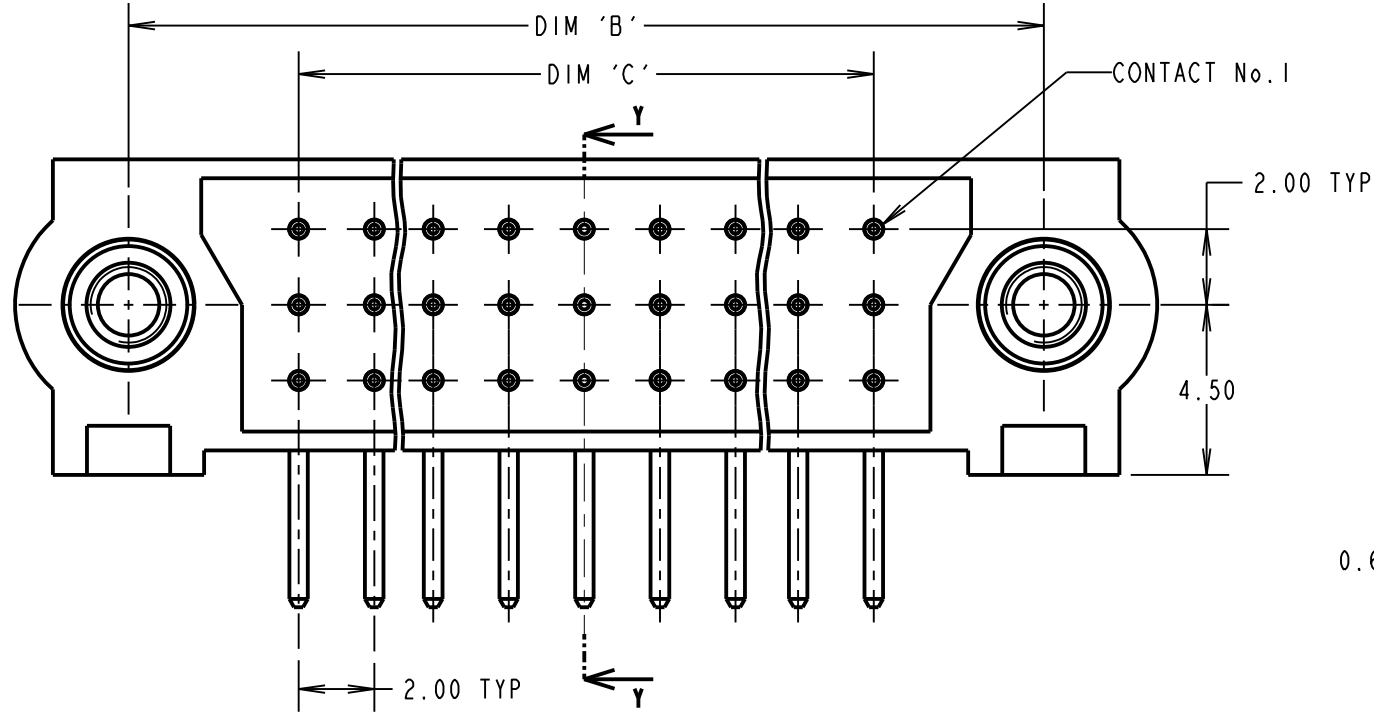
IF IN DOUBT - ASK

©

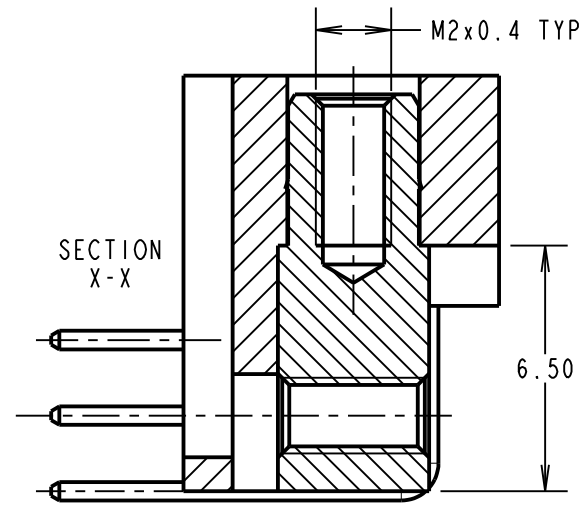
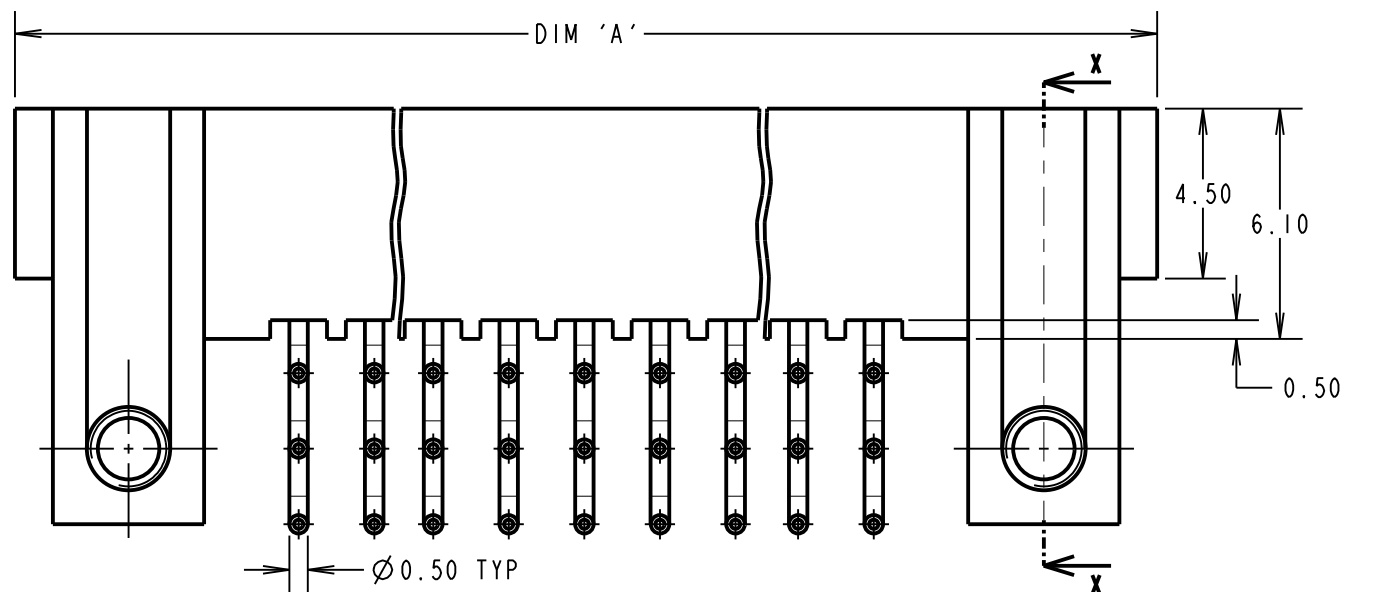
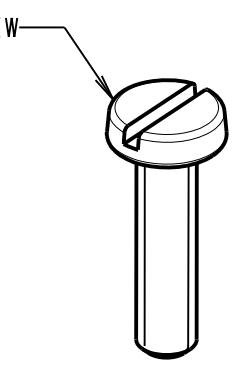
NOT TO SCALE

THIRD ANGLE PROJECTION

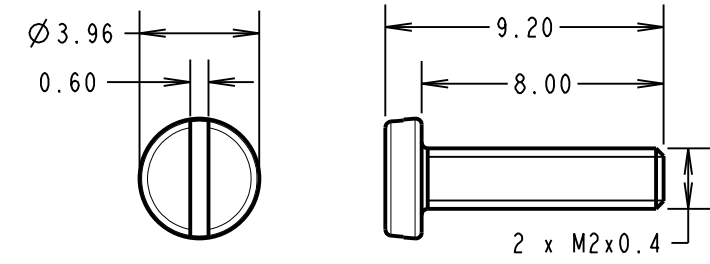
ALL DIMENSIONS IN mm



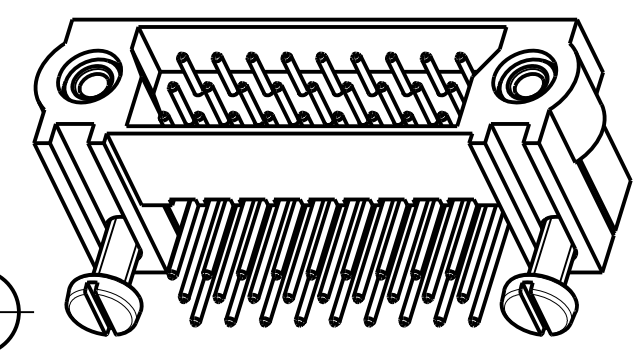
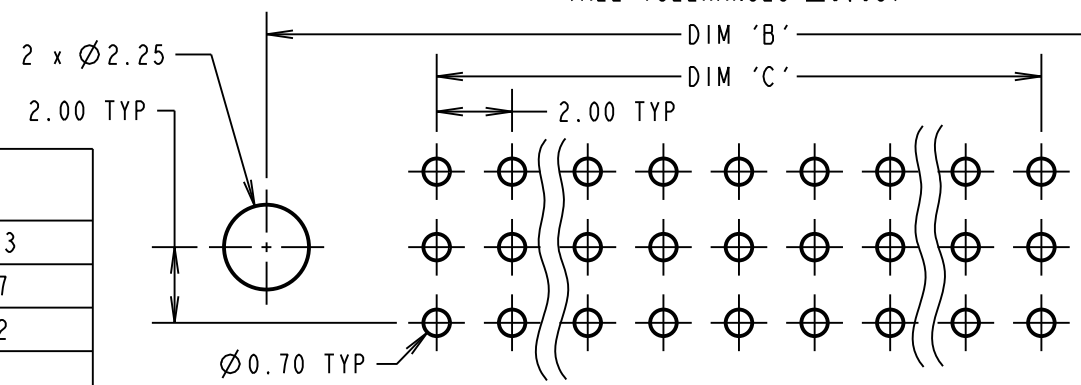
**SPECIFICATIONS:**  
**MATERIAL:**  
 MOULDING = GLASS-FILLED PPS, UL94V-0, BLACK  
 BOARDMOUNTS AND SCREWS = STAINLESS STEEL  
 SIGNAL CONTACT = PHOSPHOR BRONZE  
**FINISH:**  
 SIGNAL CONTACT = 0.75µm GOLD  
**PACKING:**  
 BOARD SCREWS PACKED SEPERATELY IN A BAG  
 FOR COMPLETE SPECIFICATION, SEE COMPONENT SPECIFICATION C005XX (LATEST ISSUE)



**ORDER CODE:**  
**M83-LML3M5NXX-0000-000**  
 TOTAL No. OF CONTACTS  
 18, 27, 36, 48, 54, 60, 96



RECOMMENDED PCB LAYOUT  
 (ALL TOLERANCES ±0.05)



ASSEMBLED CONNECTOR SHOWN FOR ILLUSTRATION PURPOSES ONLY

DIMENSION	CALCULATION
DIM 'A'	((TOTAL No. OF CONTACTS / 3) x 2) + 13
DIM 'B'	((TOTAL No. OF CONTACTS / 3) x 2) + 7
DIM 'C'	((TOTAL No. OF CONTACTS / 3) x 2) - 2

EXAMPLE 1: CONNECTOR WITH 27 CONTACTS,  
 M83-LML3M5N27-0000-000  
 DIM 'A' = 31.00mm, DIM 'B' = 25.00mm, DIM 'C' = 16.00mm

EXAMPLE 2: CONNECTOR WITH 54 CONTACTS,  
 M83-LML3M5N54-0000-000  
 DIM 'A' = 49.00mm, DIM 'B' = 43.00mm, DIM 'C' = 34.00mm

MR	4	28.02.22	31384
NAME	ISS.	DATE	CN/CO
APPROVED:		M. RUDKIN	
CHECKED:		R. ALEXANDER	
DRAWN:		R. ADDE	
CUSTOMER REF.:			
ASSEMBLY DRG:			

**HARWIN**  
 www.harwin.com  
 technical@harwin.com

THIS DRAWING AND ANY INFORMATION OR DESCRIPTIVE MATTER SET OUT HEREON ARE CONFIDENTIAL AND COPYRIGHT PROPERTY OF THE HARWIN GROUP AND MUST NOT BE DISCLOSED, LOANED, COPIED OR USED FOR MANUFACTURING, TENDERING OR FOR ANY OTHER PURPOSE WITHOUT THEIR WRITTEN PERMISSION.

**TOLERANCES**  
 X. = ±1mm  
 X.X = ±0.50mm  
 X.XX = ±0.20mm  
 X.XXX = ±0.01mm  
 ANGLES = ±5°  
 UNLESS STATED

**MATERIAL:**  
 SEE ABOVE  
**FINISH:**  
 SEE ABOVE  
**S/AREA:**  
 mm<sup>2</sup>

**TITLE:**  
 JACKSCREW DATAMATE  
 3-ROW HORIZONTAL MALE ASSY  
**DRAWING NUMBER:**  
**M83-LML3M5NXX-0000-000**  
 SHT 2 OF 2