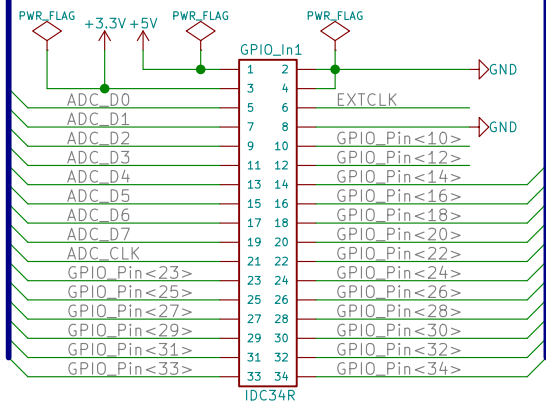


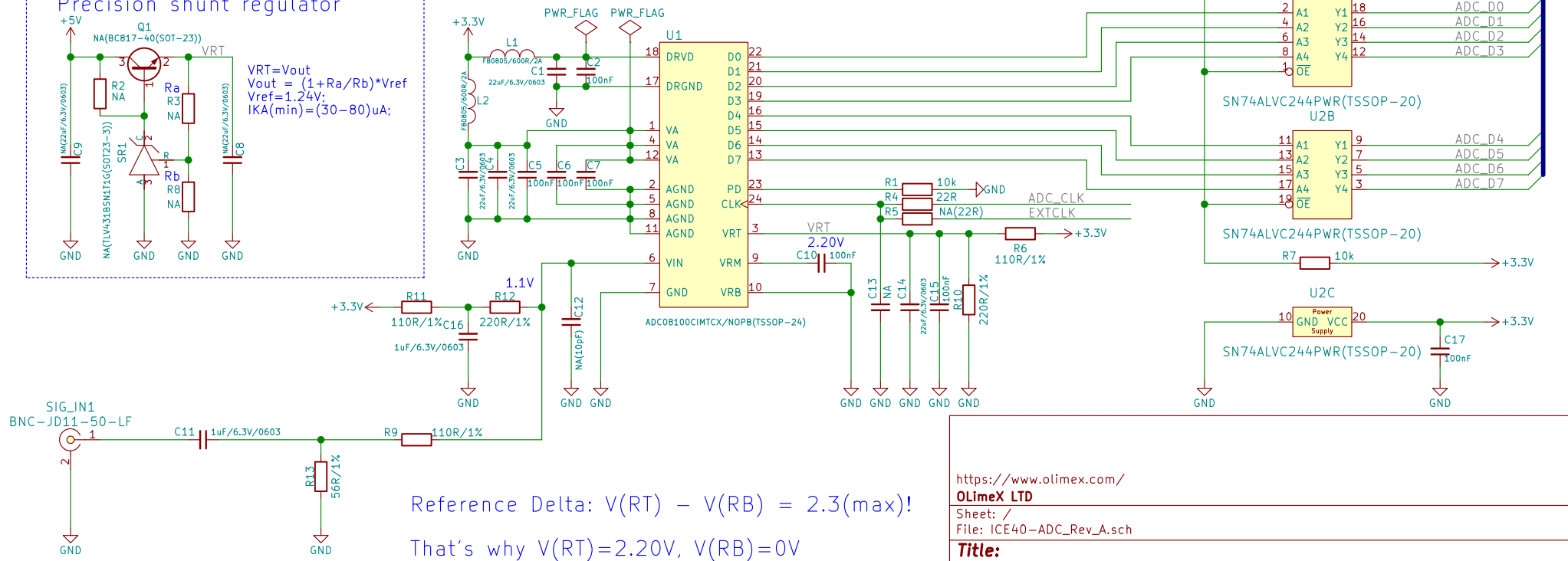
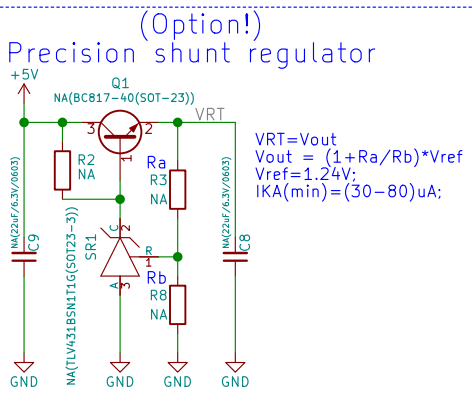
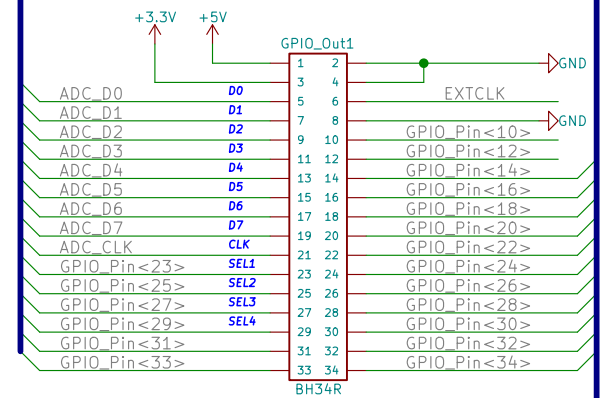
Extension In



Multi Channel Option!



Extension Out



Reference Delta: $V(RT) - V(RB) = 2.3(max)!$
 That's why $V(RT)=2.20V$, $V(RB)=0V$