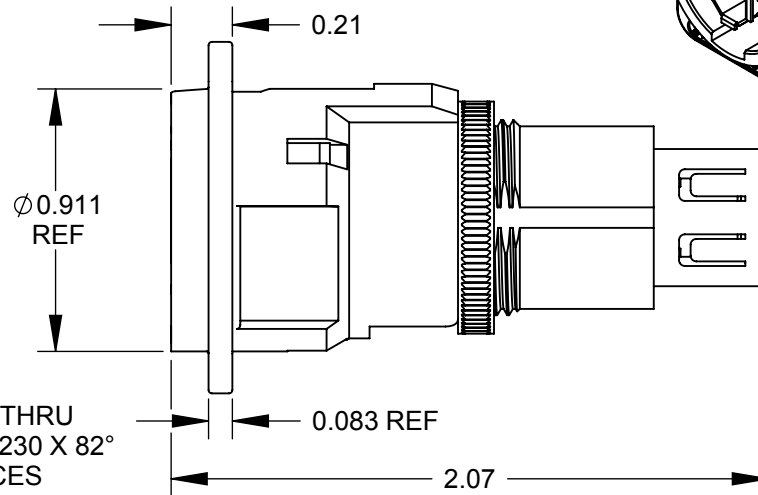
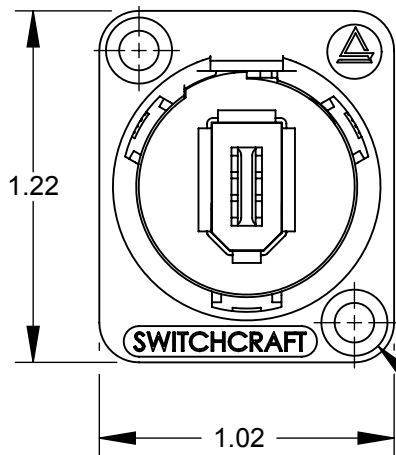
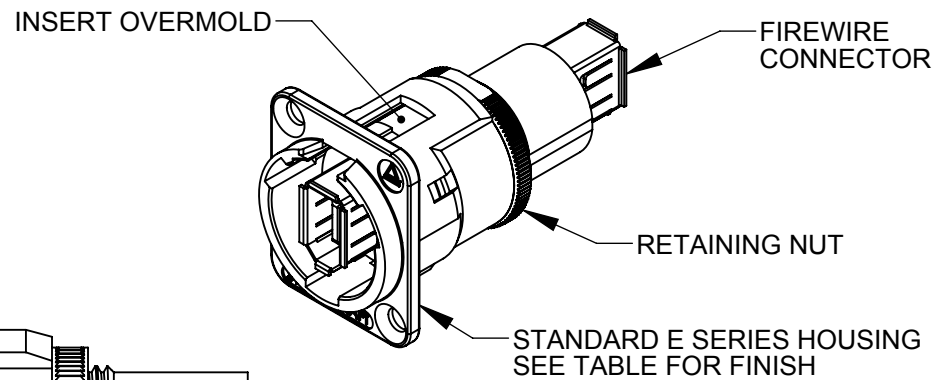
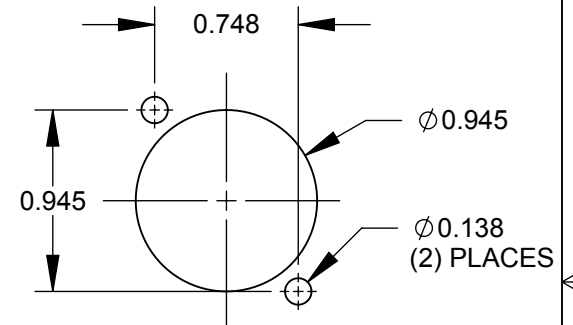


PART NUMBER	INSERT COLOR & WIRING	HOUSING FINISH
EHFWX2X	RED - CROSS WIRED	NICKEL
EHFWX2BX	RED - CROSS WIRED	BLACK CHROME



Ø0.138 THRU
 ✓ Ø0.230 X 82°
 (2) PLACES



RECOMMENDED
 PANEL CUT-OUT

PIN ASSIGNMENT						
EHFWX2X & EHFWX2BX						
CROSS WIRED						
1	2	3	4	5	6	SHIELD
1	2	5	6	3	4	SHIELD



NOTES:

- MATERIALS:
 INSERT OVERMOLD - THERMOPLASTIC
 RETAINING NUT - BRASS, NICKEL PLATED
 HOUSING - ZINC ALLOY
- THIS PRODUCT IS RoHS COMPLIANT.

CUSTOMER DRAWING

					THIS DRAWING DESCRIBES A DESIGN CONSIDERED PROPRIETARY IN NATURE, DEVELOPED AND MANUFACTURED BY SWITCHCRAFT INC. AND IS RELEASED ON A CONFIDENTIAL BASIS FOR IDENTIFICATION PURPOSES ONLY.						
					SIZE	WIDTH	MULT	LBS/M	TEMPER		
					FINISH			MATERIAL			
					SPEC No.			SPEC No.			
					FIRST USED ON		SCALE 1.5:1				
B	26467	11/30/09	RS	TJK	DATE DRAWN	BY	CHKD	APVD			
A	26076	7/15/06	RS	TJK	5/5/09	RS	5/5/09	7/15/09			
REV	ECO NUMBER	DATE	BY	APVD	NAME E SERIES CONNECTOR FIREWIRE FEEDTHROUGH, RoHS				PART No.	REV	
REVISIONS					DO NOT SCALE DRAWING					EHW_X SERIES	
										SHEET 1 OF 1	
										B	

SolidWorks CAD File

