

4

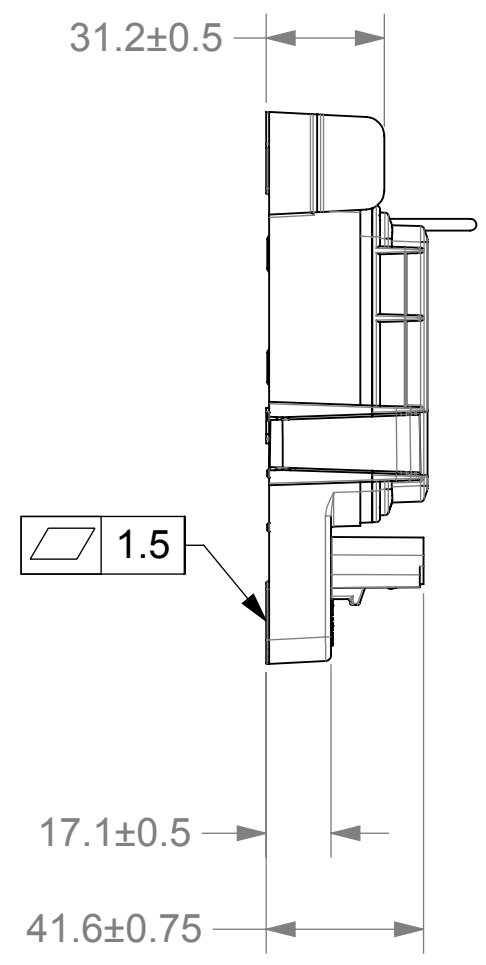
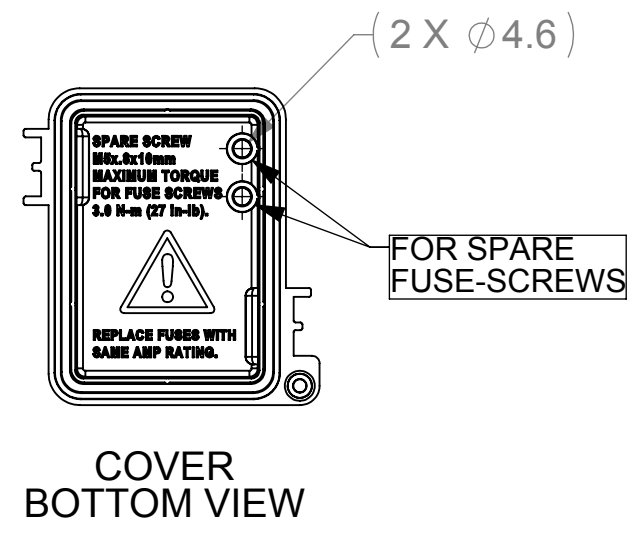
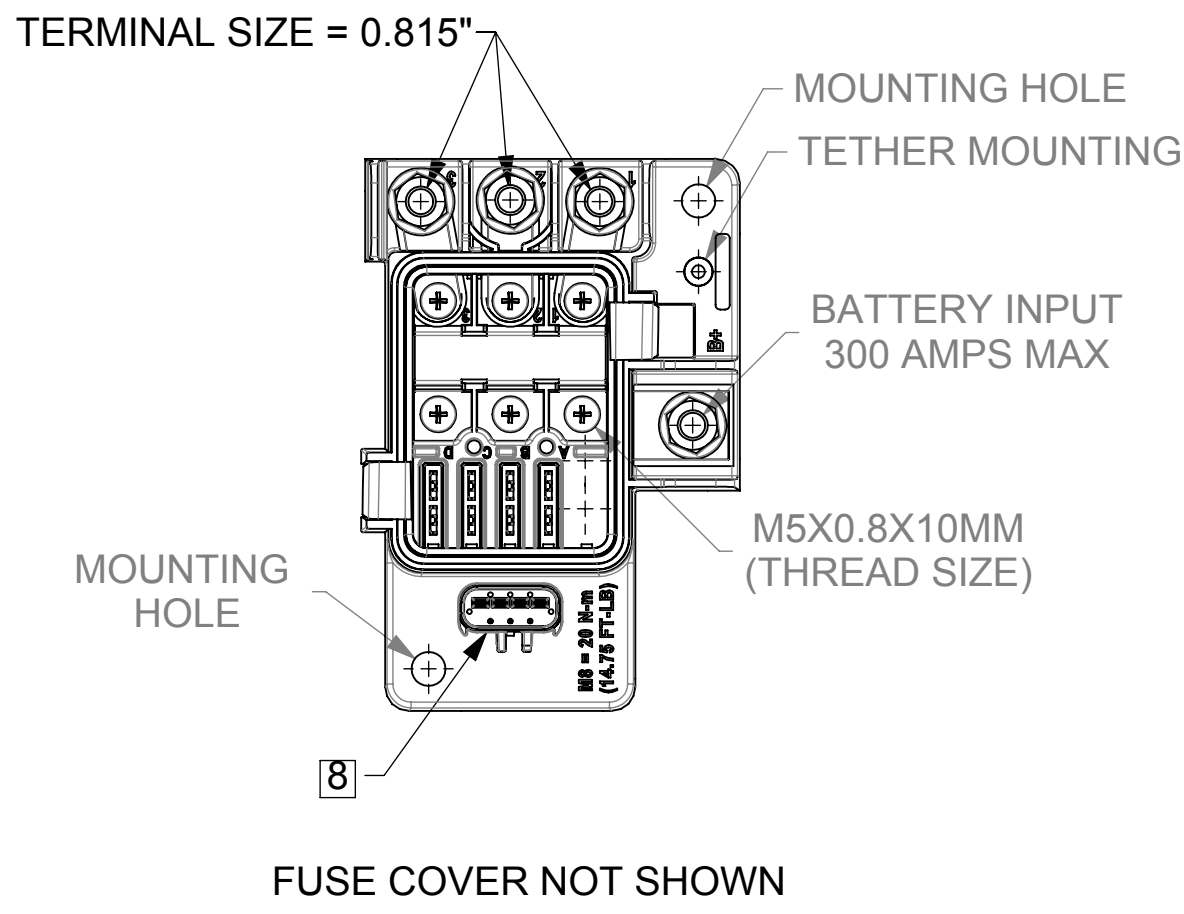
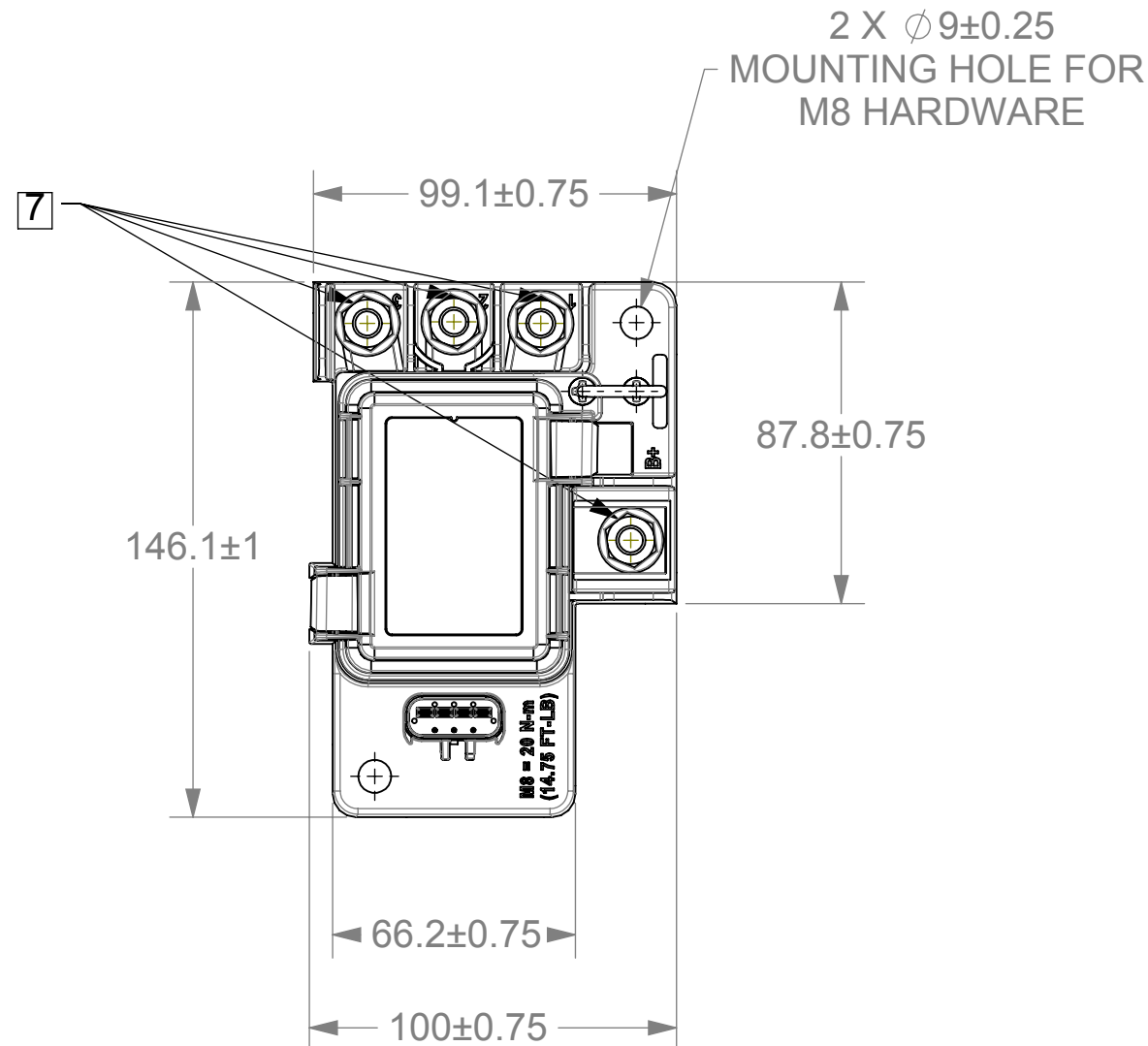
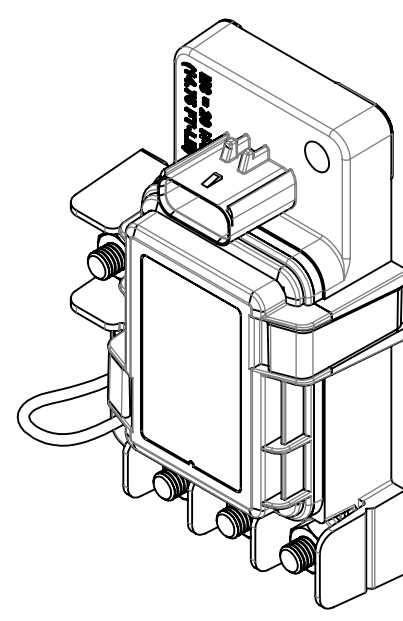
3

2

1

- NOTES:
- DRAWING SHOWN WITH FUSES INSTALLED, FUSE LOADING CONFIGURATION DEPENDANT
 - ALL STUDS TO BE STAINLESS STEEL WITH ROLLED THREADS
 - ALL BUS BARS TO BE TIN PLATED COPPER
 - WEIGHT: 0.8 LB
 - RECCOMENDED TORQUE VALUES:
 - MIDI FUSES - 3 N-m(27 IN-LB)
 - RECOMMENDED INPUT TERMINAL STUD NUT TORQUE - 20 N-m(15 FT-LB)
 - RECOMMENDED OUTPUT TERMINAL STUD NUT TORQUE - 20 N-m(15 FT-LB)
 - DRAWING SHOWN WITHOUT OPTIONAL LABEL, LABEL LOCATED ON OUTSIDE OF COVER
 - INCLUDED HARDWARE (TO BE INSTALLED AT LESS THAN 300 RPM);
 - M8x1.25 18-8 STAINLESS STEEL 4X
 - CONNECTOR HOUSING: FCI APEX 2.8MM FEMALE 4-WAY
FCI P/N: 54200409
 - MATERIAL:
HOUSING: GLASS FILLED NYLON 94V-0 COVER: PC 94V-0
 - MIN/MAX TEMPERATURE RATING: OPEERATIONAL: -40C~100C NON-OPERATIONAL: -55C~125C
 - MAX CURRENT INPUT: 350 AMPS

REVISIONS				
ZONE	REV.	DESCRIPTION	DATE	APPROVED
	A	PER EC#515700: INITIAL RELEASE OUTLINE DRAWING	3/22/2016	J. LIU



DIMENSIONS ARE IN MM.
DIMENSIONS AND TOLERANCES ARE DEFINED ACCORDING TO ANSI / ASME Y14.5M-1994

THIS DRAWING AND THE INFORMATION CONTAINED WITHIN IT ARE CONFIDENTIAL AND MAY NOT BE COPIED OR DISCLOSED WITHOUT THE WRITTEN PERMISSION OF LITTELFUSE.

NAME	DATE
J. LIU	3/22/2016

THIRD ANGLE PROJECTION

SIZE DWG. NO. REV.
C OL-880073 A

SCALE 1:2 SHEET 1 OF 1

Littelfuse
Expertise Applied | Answers Delivered
805 W. Orchard DR., Ste. 6, Bellingham, WA 98225
Phone (360)738-9010 Fax (360)738-0372

Power Distribution Module w/cover