

4

3

2

1

THIS DRAWING IS UNPUBLISHED.

RELEASED FOR PUBLICATION

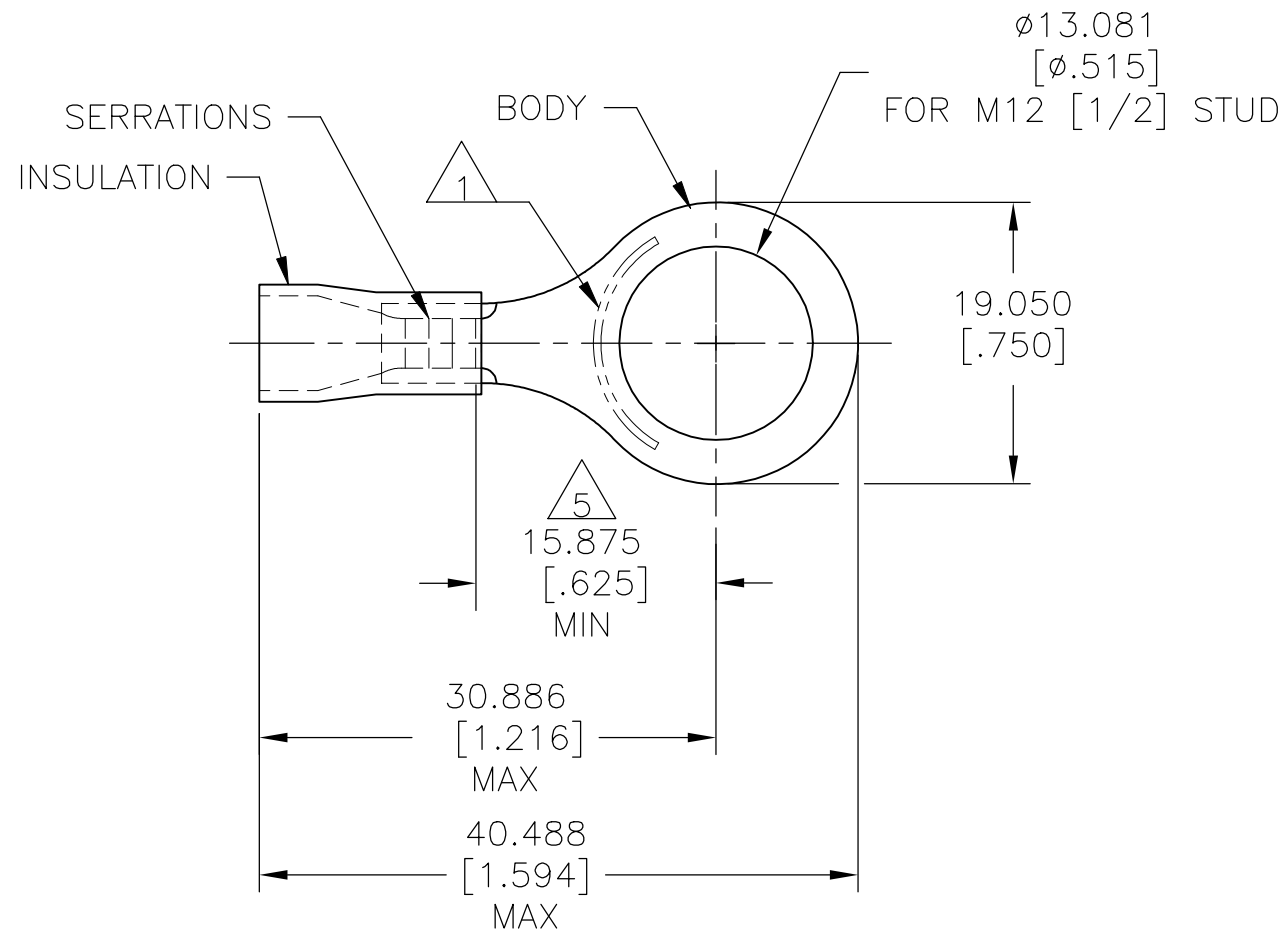
© COPYRIGHT - TE Connectivity Ltd.

ALL RIGHTS RESERVED.

REVISIONS

P	LTR	DESCRIPTION	DATE	DWN	APVD
Z		REV PER 0G3A-0668-04	25AUG04	JR	TM
Z1		REVISED PER ECO-17-014338	29MAR2018	RS	DR

<b>AMP</b> WIRE RANGE	 Listed FILE E13288	 LR7189 Certified
12-10 AWG SOLID OR STRANDED	12-10 AWG SOLID OR STRANDED	12-10 AWG SOLID OR STRANDED



- 1 STAMP AMP 12-10\* 6-9 APPROX AS SHOWN
- 2 WIRE INSULATION:  $\phi 3.810 - \phi 6.350$  [ $\phi 0.150 - \phi 0.250$ ]
- 3 BODY MATERIAL THK:  $0.991 \pm 0.051$  [ $0.039 \pm 0.002$ ]
- 4 MATERIAL: BODY - CU PER ASTM B152  
INSULATION - PVC
- 5 APPLIES FROM CENTER OF STUD HOLE TO  
EDGE OF METAL WIRE BARREL

1000	BLACK	ON TAPE, REEL	2-34837-4
500	YELLOW	LOOSE PIECE	34837
QTY	COLOR	PACKAGE TYPE	PART NO.

AMP INCORPORATED  
CUSTOMER SERVICE SYSTEMS

MAX RECOMMENDED OPERATING  
TEMPERATURE:  
105°C [221°F]

THIS DRAWING IS A CONTROLLED DOCUMENT.

DWN 09/29/92  
DK SCHRUM

 TE Connectivity Ltd.

FOR ADDITIONAL  
PRODUCT INFORMATION OR  
COPIES OF DRAWINGS  
AND TECHNICAL DOCUMENTS

PRODUCT INFORMATION CENTER  
1-800-522-6752

VOLTAGE RATING:  
600V MAX  
[1000V SIGNS OR FIXTURES]

DIMENSIONS:  
mm [INCHES]

TOLERANCES UNLESS  
OTHERWISE SPECIFIED:

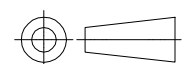
CHK 11/10/92  
RE HERSEY

NAME  
M BARNABA  
PRODUCT SPEC  
UL 486A-B  
APPLICATION SPEC  
114-2161

FOR APPLICATION  
TOOLING INFORMATION

TOOLING ASSISTANCE CENTER  
1-800-722-1111

CIRCULAR MIL AREA:  
2.62-6.64mm<sup>2</sup> [5,180-13,100]  
SOLID OR STRANDED



0 PLC ± -  
1 PLC ± -  
2 PLC ± -  
3 PLC ± 0.127[.005]  
4 PLC ± -  
ANGLES ± -

APVD 11/10/92  
M BARNABA

SIZE CAGE CODE DRAWING NO RESTRICTED TO

FOR ORDER ENTRY

1-800-526-5142

THIS DRAWING IS A CONTROLLED DOCUMENT FOR  
AMP INCORPORATED. IT IS SUBJECT TO CHANGE  
AND THE CONTROLLING ENGINEERING ORGANIZATION  
SHOULD BE CONTACTED FOR THE LATEST REVISION.

MATERIAL



FINISH  
BODY: TIN PER ASTM B545  
INSULATION: COLOR-SEE  
TABLE

APVD 11/10/92  
M BARNABA

PRODUCT SPEC

APPLICATION SPEC

114-2161

WEIGHT

CUSTOMER DRAWING

A3 00779 C-34837

SCALE 2:1 SHEET 1 OF 1 REV Z1