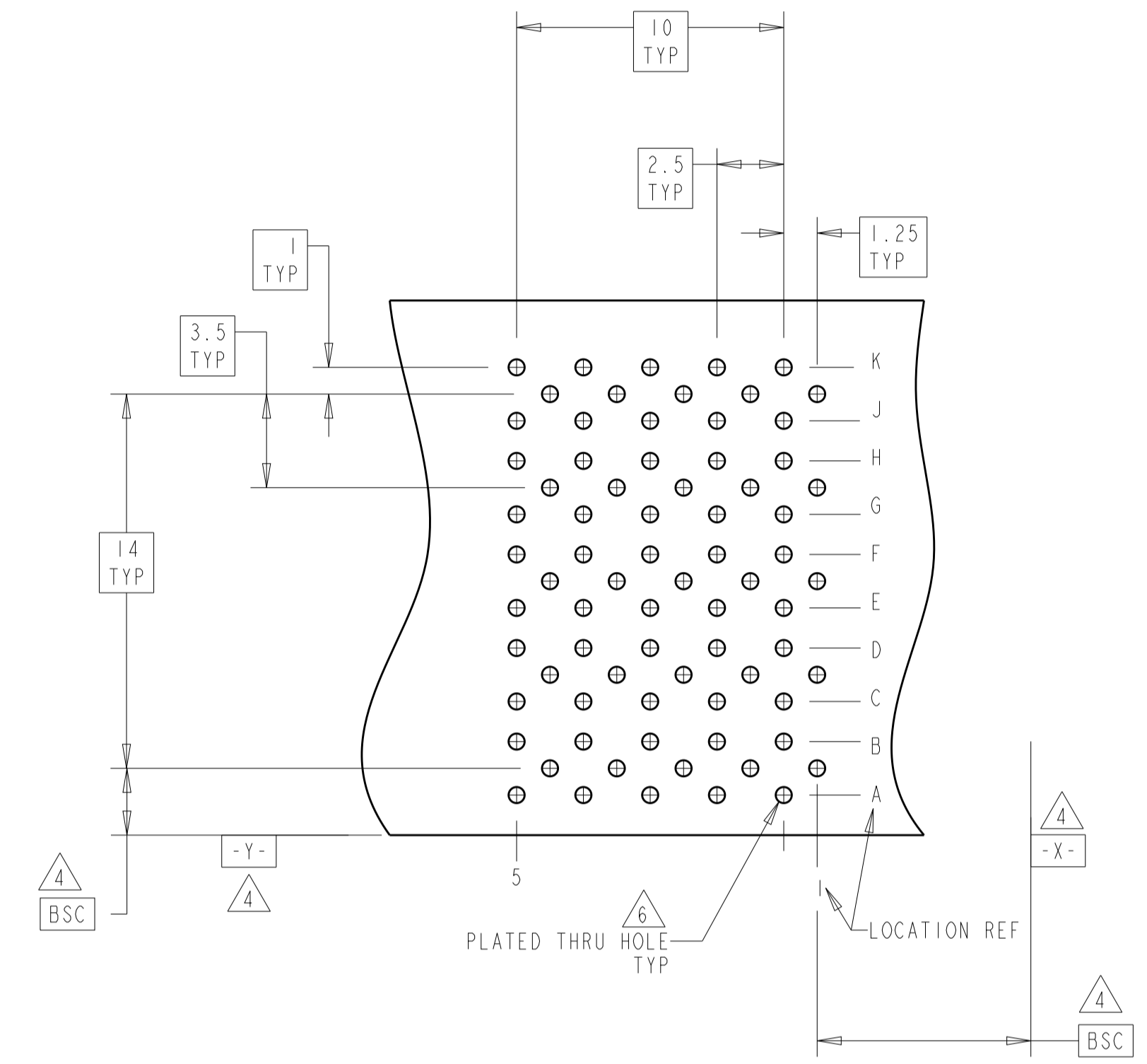
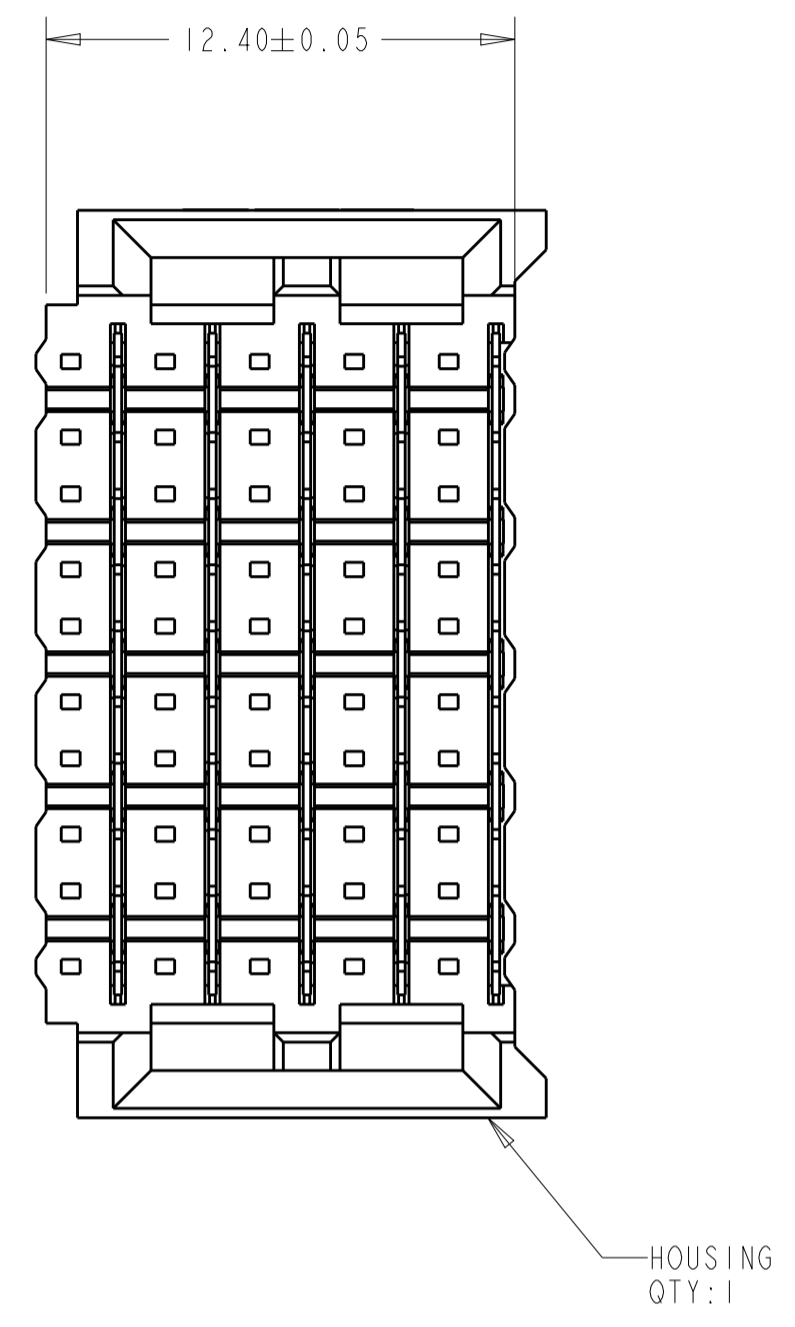
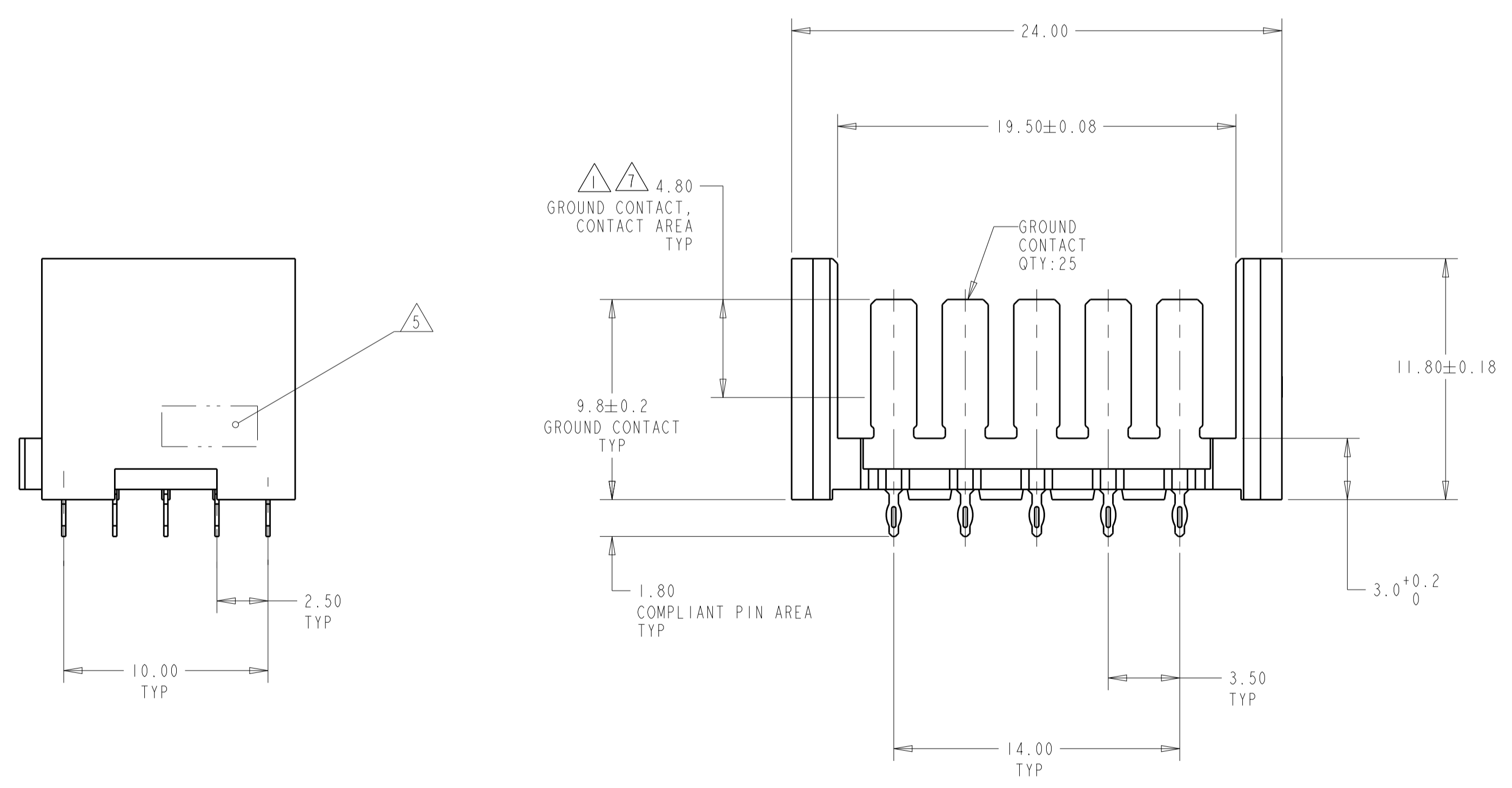


LOC	DIST	REV	DATE	BY	CHKD	APVD
AD	00	B	23AUG2012	KH	JE	

- 1 FINISH:  
CONTACT MATING AREA MEETS THE PERFORMANCE REQUIREMENTS OF  
TE CONNECTIVITY PRODUCT SPECIFICATION 108-1957; BASED ON  
TELCORDIA GR-1217-CORE, APPLICATIONS IN UNCONTROLLED ENVIRONMENTS.  
COMPLIANT PIN AREA: 0.5µm MIN MATTE TIN OVER BASE PLATING.
- 2 PHOSPHOR BRONZE
- 3 GLASS FILLED POLYESTER
- 4 DATUMS AND BASIC DIMENSIONS ESTABLISHED BY CUSTOMER
- 5 CONNECTOR MARKED WITH PART NUMBER AND DATE CODE
- 6 REFERENCE APPLICATION SPEC 114-13020 FOR RECOMMENDED  
PLATED THRU HOLE DIAMETER AND PLATING THICKNESS.
- 7 CONTACT AREA LUBRICATED WITH BELLCORE APPROVED LUBRICATION  
TECHNICAL REFERENCE: GR-1217-CORE, ISSUE 1, NOVEMBER 1995



RECOMMENDED  
PRINTED CIRCUIT BOARD  
LAYOUT  
COMPONENT SIDE OF PRINTED CIRCUIT BOARD



5120750-1  
PART NUMBER

THIS DRAWING IS A CONTROLLED DOCUMENT.		OWN: B. CARBO 07DEC04	TE Connectivity	
DIMENSIONS: mm		CHK: R. PATTERSON 07DEC04		
TOLERANCES UNLESS OTHERWISE SPECIFIED:		APVD: R. PATTERSON 07DEC04		
0 PLC ±	1 PLC ±0.13	NAME: SHROUD ASSEMBLY, 50 POSITION, 10 ROW, BACKPLANE CONNECTOR, Z-PACK HS3	SIZE: A1	RESTRICTED TO:
2 PLC ±	3 PLC ±	PRODUCT SPEC:	CAGE CODE: 00779	DRAWING NO: 5120750
4 PLC ±	ANGLES ±	APPLICATION SPEC:	SCALE: 5:1	SHEET: 1 OF 1
MATERIAL: HOUSING: 3	FINISH: GROUND CONTACT: 1	WEIGHT:	CUSTOMER DRAWING	REV: B