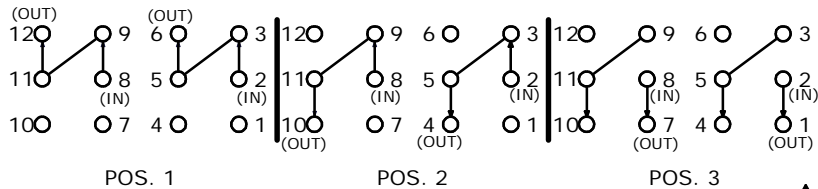


P.C. MOUNTING

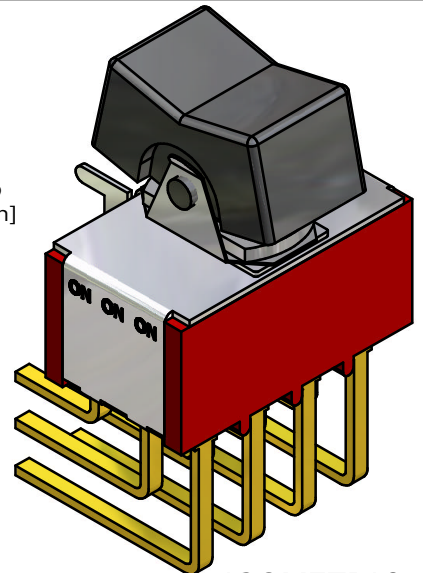
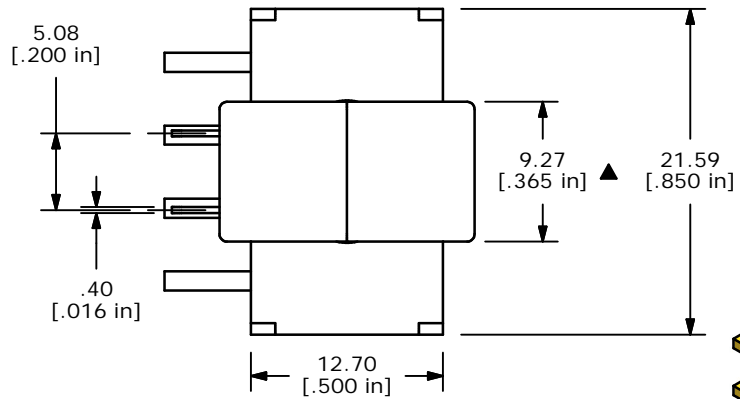
SWITCH FUNCTION		
POS. 1	POS. 2	POS. 3
ON	ON	ON
2-3, 5-6, 8-9, 11-2	2-3, 5-4, 8-9, 11-10	2-1, 5-4, 8-7, 11-10



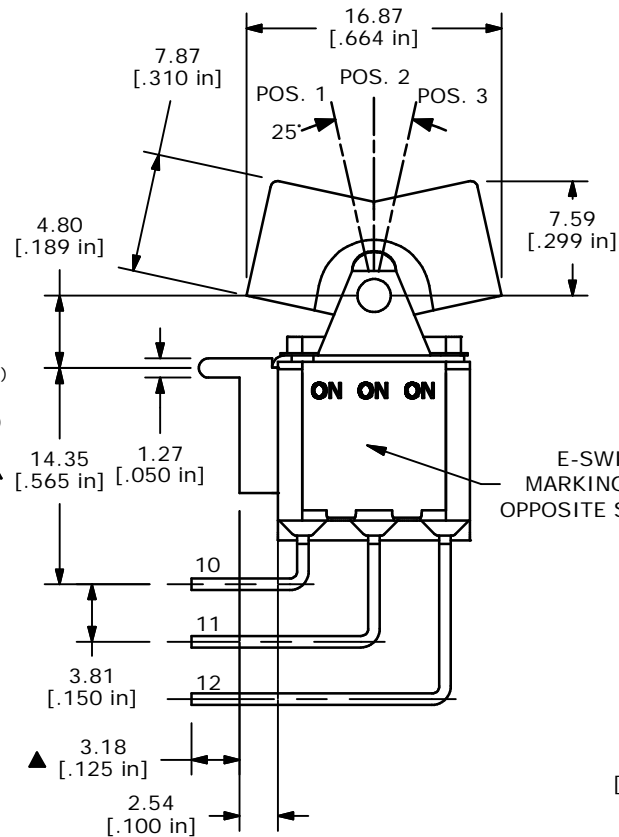
4PDT 3 WAY CIRCUIT

NOTE: JUMPER PIN 3 TO 5, 9 TO 11

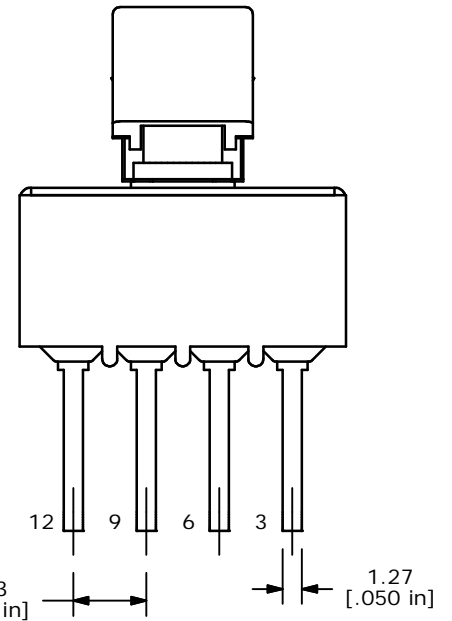
- NOTE:
1. ALL DIMENSIONS IN MM [INCH]
  2. GENERAL TOLERANCE: X.X=±0.4  
X.XX=±0.25
  3. TERMINAL NUMBERS FOR REF ONLY
  4. PLATING MATERIAL: GOLD
  5. RATING: 0.4 VOLT-AMPS MAX. @20V MAX. AC OR DC
  6. ELECTRIC LIFE: 50,000 MAKE-AND-BREAK CYCLES AT FULL LOAD.
  7. INSULATION RESISTANCE: 1,000 MEGA-OHM MIN.
  8. DIELECTRIC STRENGTH: 1,000 V RMS @SEA LEVEL.
  9. OPERATING TEMP.: -30°C TO 85°C
  10. ▲ DENOTES CRITICAL PARAMETER.



ISOMETRIC



E-SWITCH MARKING ON OPPOSITE SIDE



**E-SWITCH®**

C	14800	CORRECT CIRCUIT AND FUNCTION	3/28/05	AR
B	14620	REVISED AND REDRAWN	1/14/05	AR
REV	PCR NO	DESCRIPTION	DATE	BY

TITLE 3004P6J1BLKM7RE				
SCALE 2:1	DATE 11/5/04	DR AR	DWG T346014	REV C

THE INFORMATION CONTAINED IN THIS DOCUMENT IS PROPRIETARY TO E-SWITCH AND IS NOT TO BE COPIED OR TRANSFERRED