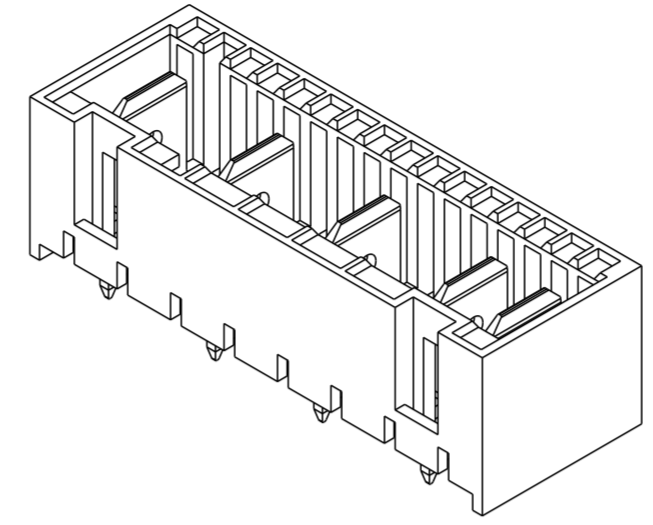
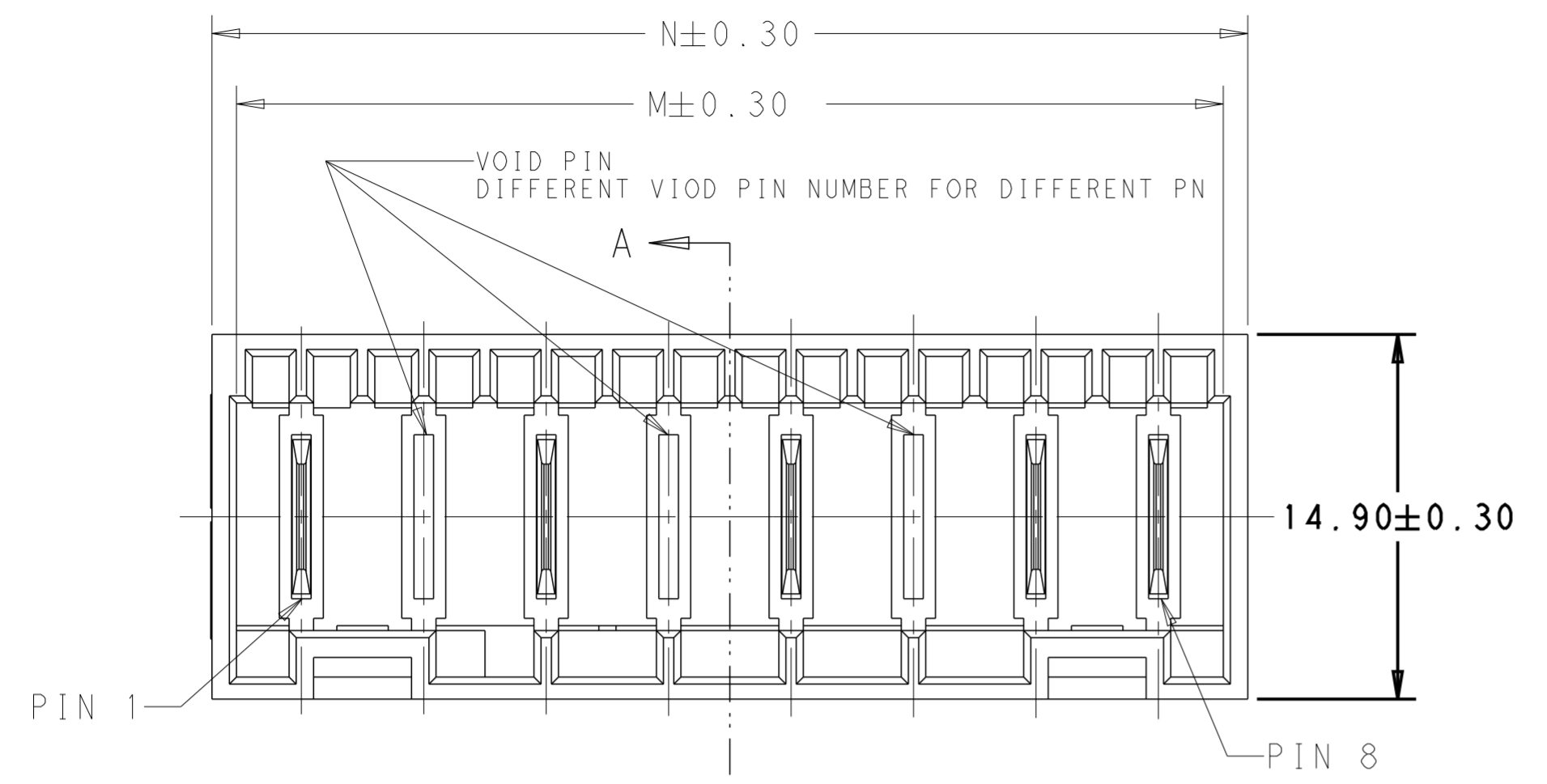
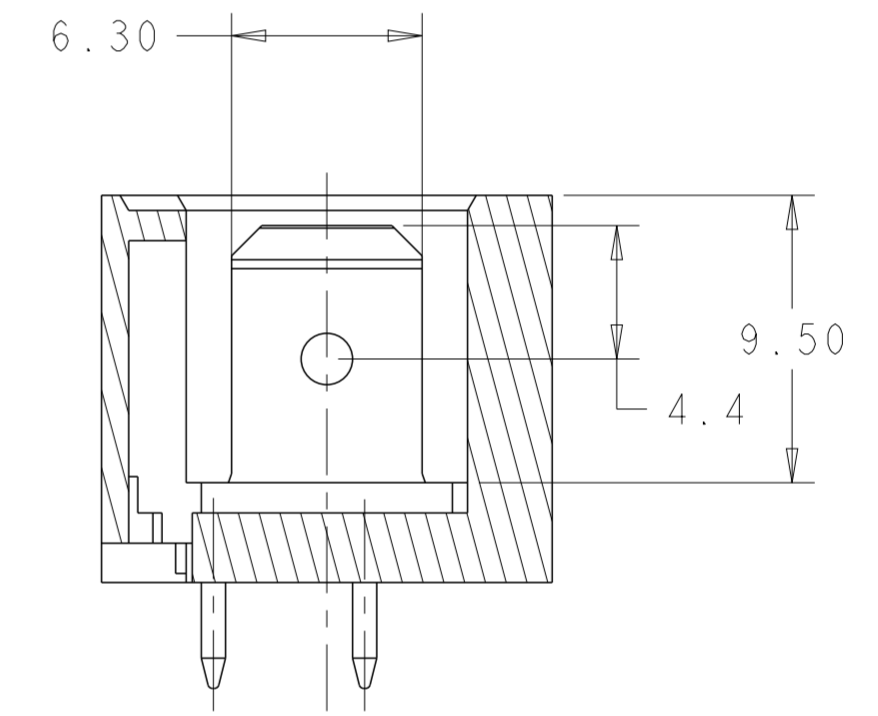
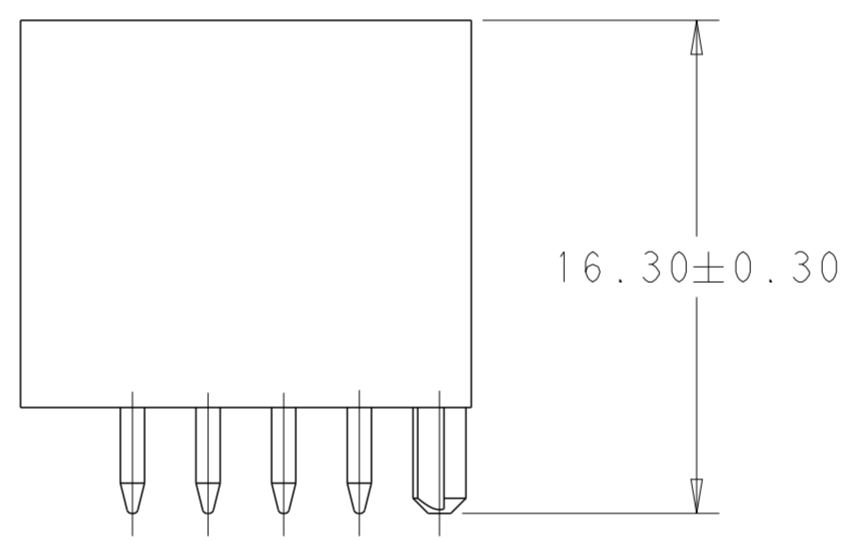
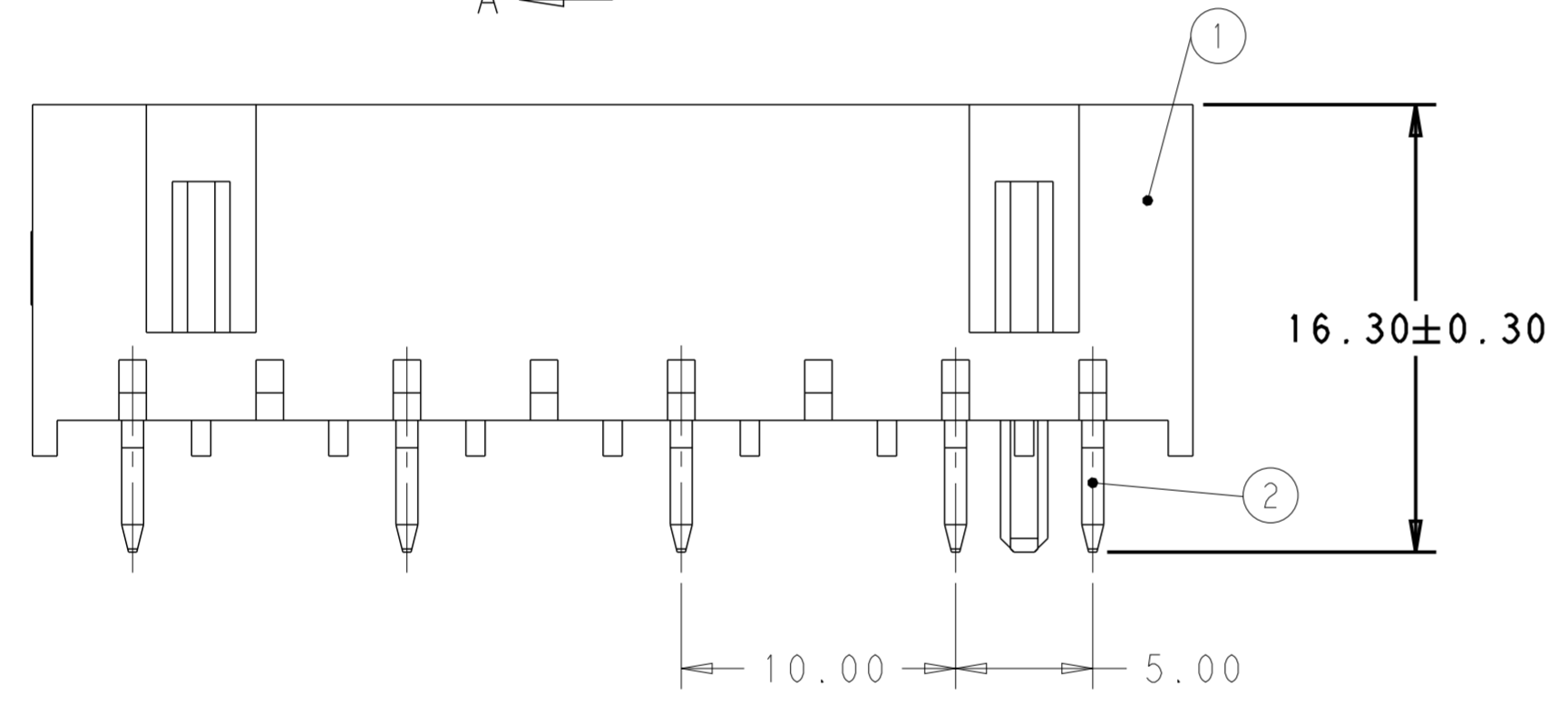


THIS DRAWING IS UNPUBLISHED. RELEASED FOR PUBLICATION 20
 © COPYRIGHT 20 BY - ALL RIGHT REVERSED ALL RIGHTS RESERVED.

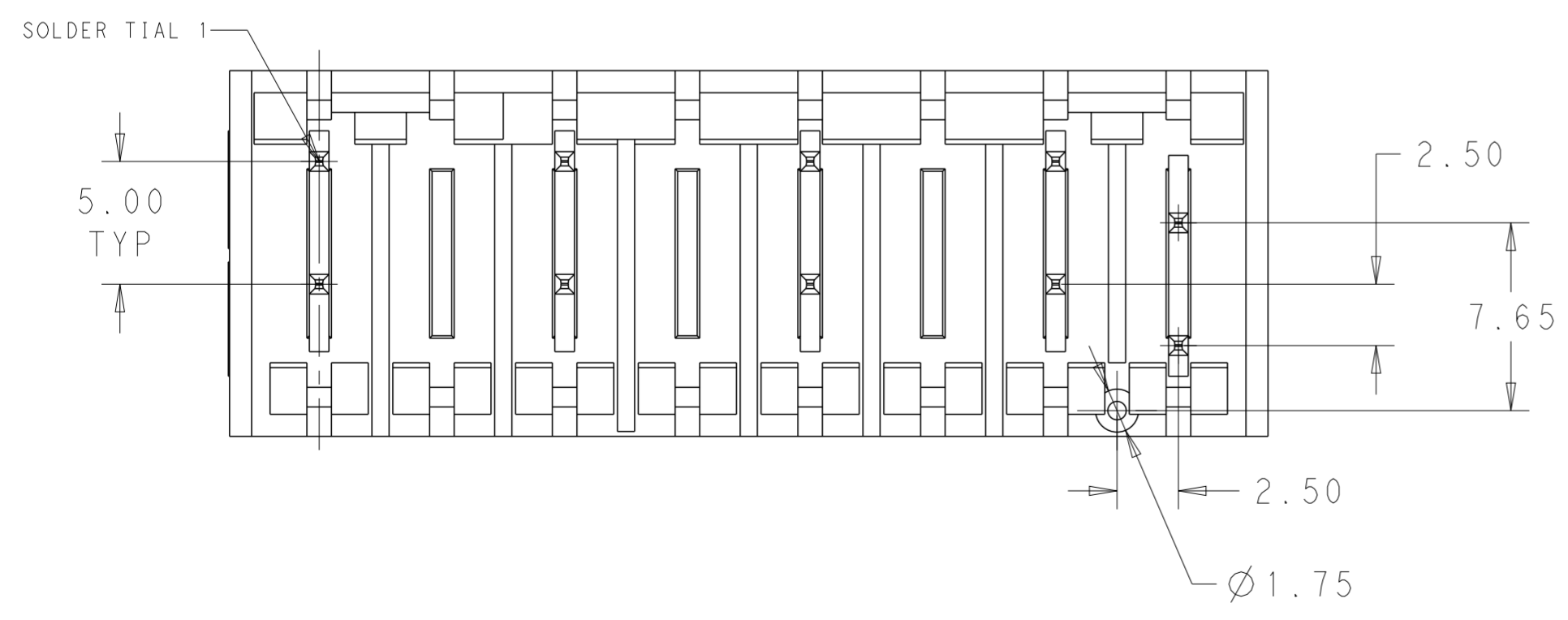
LOC		DIST		REVISIONS			
P	LTR	DESCRIPTION		DATE	DWN	APVD	
B6		ECR-22-135504		17APR2022	WW	FL	



- HOUSING HAS RAST 5 COMPLIANT KEYING LATCHING, AND POLARIZATION, TAB IS 6.30 x 0.8mm ACCORDING TO DIN 46224;
 - MATERIAL: HOUSING NYLON, UL94 V0, 750 °C GWT NO FLAME;
 - FINISH: CONTACTS, TIN PLATING OVERALL , NICKEL UNDER-PLATING;
 - PACKING: LOOSE PIECE OR TUBE. THE PART NUMBER IN THIS DRAWING ARE WITH LOOSE PIECE PACKING. PLEASE CONTACT TE SALES REPRESENTATIVES FOR TUBE PACKING REQUIREMENT.
- 5 PRELIMINARY, NOT FOR PRODUCTION.
 6 PART NUMBER WITH TUBE PACKAGING.
 7 TOOL MARK ON TERMINAL SURFACE IS ACCEPTABLE WHICH DOES NOT IMPACT FUNCTION



SECTION A-A



42.30	40.30	8
37.30	35.30	7
32.30	30.30	6
27.30	25.30	5
22.30	20.30	4
17.30	15.30	3
12.30	10.30	2
N	M	NO.OF POS.

THIS DRAWING IS A CONTROLLED DOCUMENT.

DWN: KD. CHEON 24JUL2017
 CHK: F. LUPO 24JUL2017
 APVD: R. ROBONE 24JUL2017

TE Connectivity

NAME: RAST 5 TAB HEADER ASSY, OPPOSITE SELECTIVE, DIN STYLE, TH VERTICAL

PRODUCT SPEC: 108-106080

APPLICATION SPEC: -

SIZE: A2 CAGE CODE: 00779 DRAWING NO: C-2322950 RESTRICTED TO: -

MATERIAL: - WEIGHT: -

CUSTOMER DRAWING SCALE: 4:1 SHEET: 1 OF 3 REV: B6

THIS DRAWING IS UNPUBLISHED. RELEASED FOR PUBLICATION 20
 © COPYRIGHT 20 BY - ALL RIGHT REVERSED ALL RIGHTS RESERVED.

LOC		DIST		REVISIONS			
P	LTR	DESCRIPTION	DATE	DWN	APVD		
-	-	SEE SHEET 1	-	-	-		

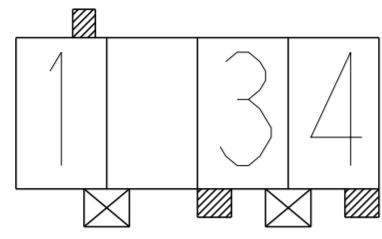
3 POS.

4 POS.

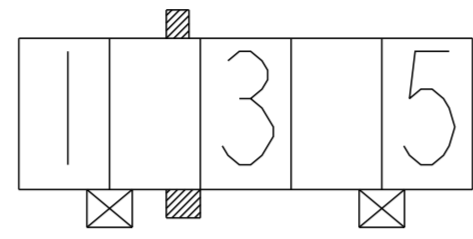
5 POS.

6 POS.

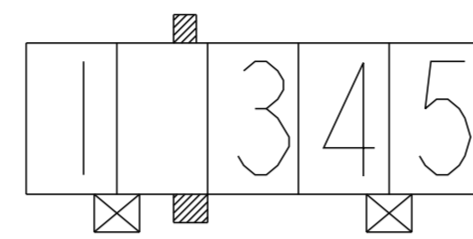
7 POS.



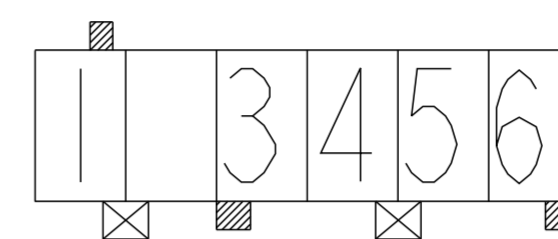
2322950-4



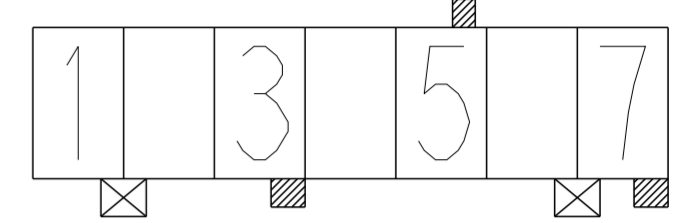
2322950-5



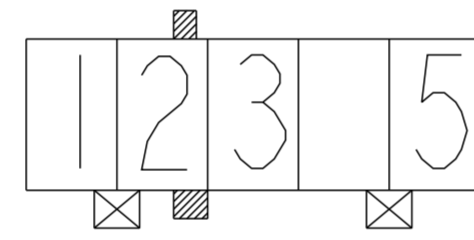
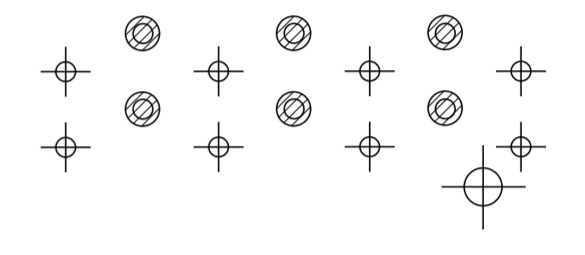
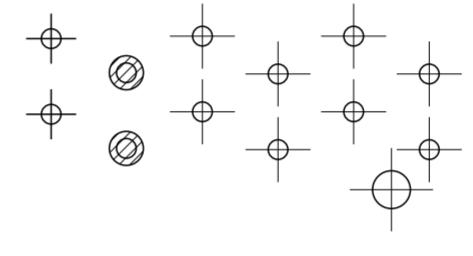
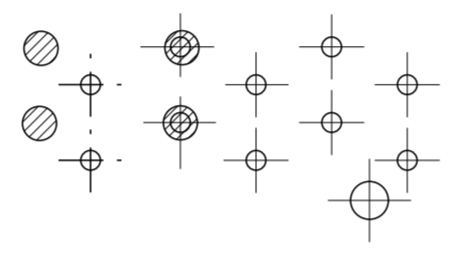
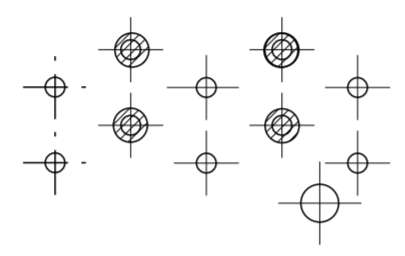
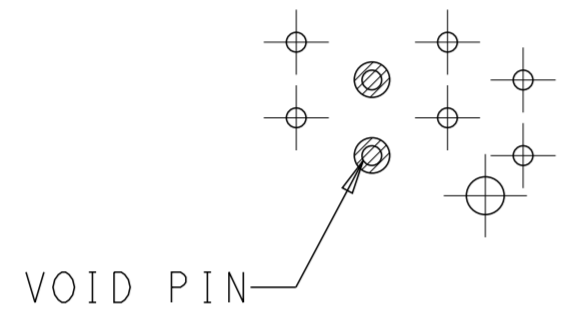
1-2322950-5



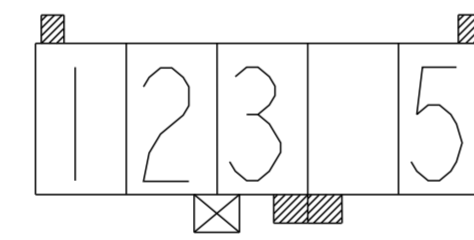
2322950-6



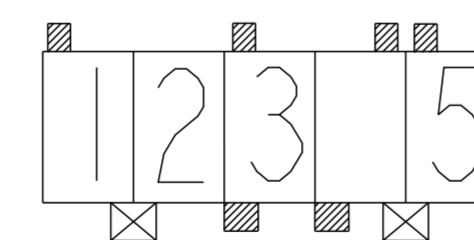
2322950-7



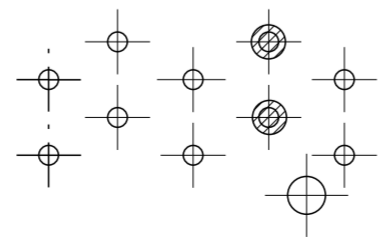
2-2322950-5



3-2322950-5



4-2322950-5

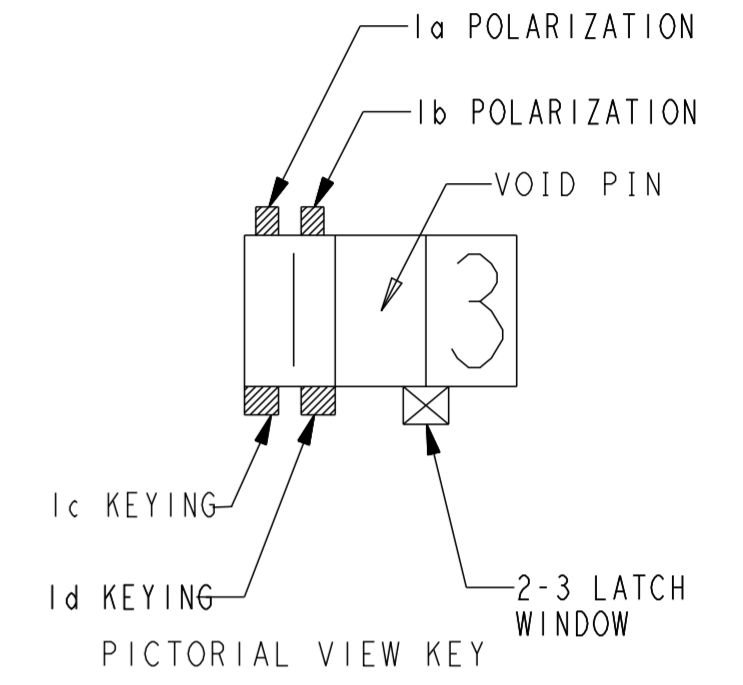
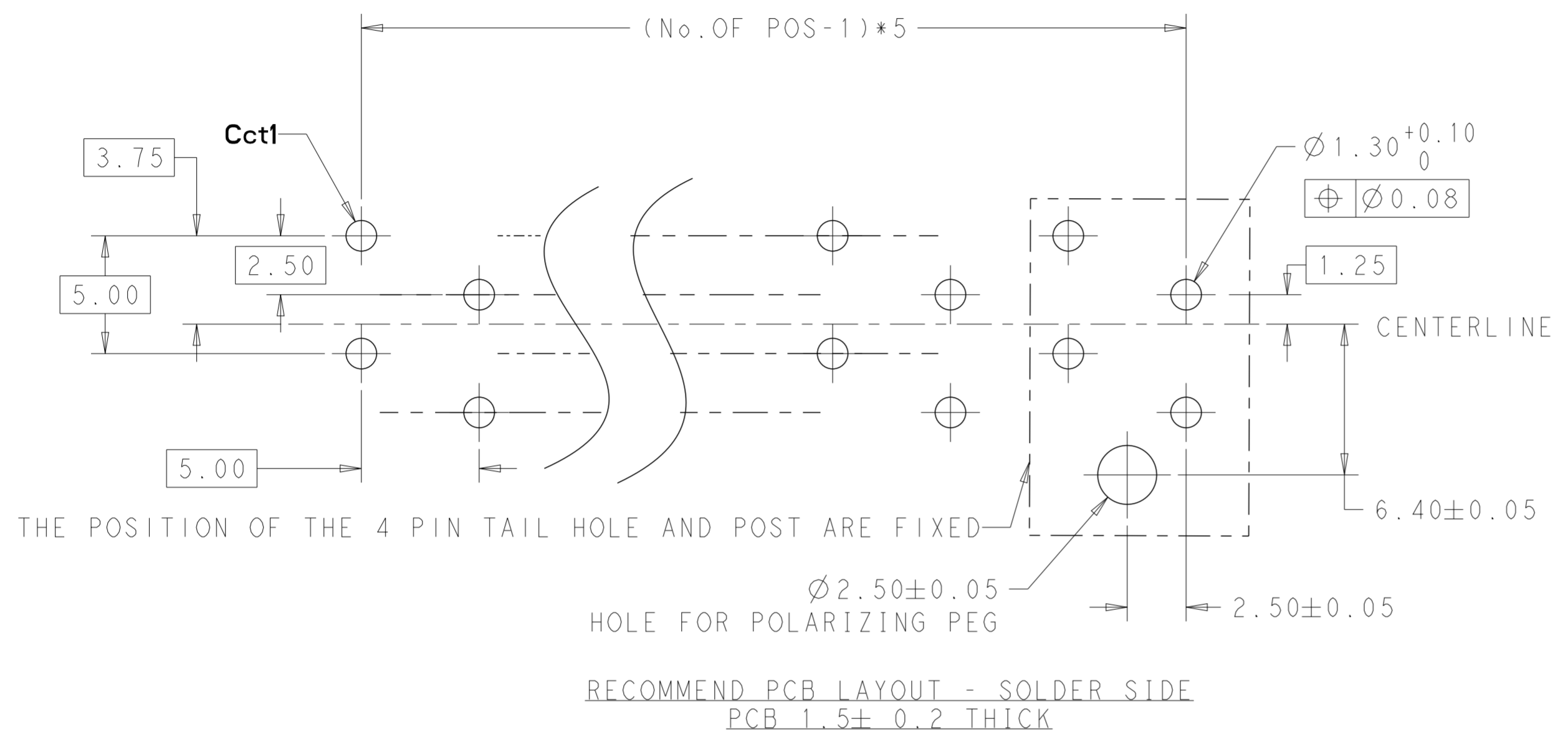


PCB LAYOUT SKETCH
 SOLDER SIDE

THIS DRAWING IS A CONTROLLED DOCUMENT.		DWN KD. CHEON 24 JUL 2017	TE Connectivity	
DIMENSIONS: mm		CHK F. LUPO 24 JUL 2017		
TOLERANCES UNLESS OTHERWISE SPECIFIED:		APVD R. ROBONE 24 JUL 2017	NAME RAST 5 TAB HEADER ASSY, OPPOSITE SELECTIVE, DIN STYLE, TH VERTICAL	
0 PLC ±		PRODUCT SPEC 108-106080	SIZE A2	
1 PLC ±0.5		APPLICATION SPEC	CAGE CODE 00779	DRAWING NO C-2322950
2 PLC ±0.25		WEIGHT	RESTRICTED TO	
3 PLC ±0.013			SCALE 4:1	SHEET 2 OF 3
4 PLC ±0.0001			CUSTOMER DRAWING	REV B6
ANGLES ±				
FINISH				

THIS DRAWING IS UNPUBLISHED. RELEASED FOR PUBLICATION 20
 © COPYRIGHT 20 BY - ALL RIGHT REVERSED ALL RIGHTS RESERVED.

LOC		DIST		REVISIONS			
P	LTR	DESCRIPTION	DATE	DWN	APVD		
-	-	SEE SHEET 1	-	-	-		



RECOMMEND PCB LAYOUT - SOLDER SIDE
 PCB 1.5± 0.2 THICK

Q'TY	DESCRIPTION	Q'TY	DESCRIPTION	COLOR	POS.	P/N
4	MATT TIN PLATING	1	RAST5 TAB HEADER	NATURAL	7	2322950-7
5	MATT TIN PLATING	1	RAST5 TAB HEADER	NATURAL	6	2322950-6
4	MATT TIN PLATING	1	RAST5 TAB HEADER	NATURAL	5	4-2322950-5
4	MATT TIN PLATING	1	RAST5 TAB HEADER	NATURAL	5	3-2322950-5 ⁶
4	MATT TIN PLATING	1	RAST5 TAB HEADER	NATURAL	5	2-2322950-5
4	MATT TIN PLATING	1	RAST5 TAB HEADER	NATURAL	5	1-2322950-5
3	MATT TIN PLATING	1	RAST5 TAB HEADER	NATURAL	5	2322950-5
3	MATT TIN PLATING	1	RAST5 TAB HEADER	NATURAL	4	2322950-4
CONTACT (2)			HOUSING (1)			

THIS DRAWING IS A CONTROLLED DOCUMENT.

DWN: KD. CHEON 24JUL2017	TE Connectivity	
CHK: F. LUPO 24JUL2017		
APVD: R. ROBONE 24JUL2017		
NAME: RAST 5 TAB HEADER ASSY, OPPOSITE SELECTIVE, DIN STYLE, TH VERTICAL		
DIMENSIONS: mm	TOLERANCES UNLESS OTHERWISE SPECIFIED:	PRODUCT SPEC: 108-106080
0 PLC ±-	1 PLC ±0.5	APPLICATION SPEC: -
2 PLC ±0.25	3 PLC ±0.013	WEIGHT: -
3 PLC ±0.013	4 PLC ±0.0001	SCALE: 4:1
4 PLC ±0.0001	ANGLES ±-	SHEET 3 OF 3
MATERIAL: -	FINISH: -	REV: B6