

NOTES

- 1. 材料及び仕上げ(めっき仕様) : TABLE 1 参照  
MATERIAL AND FINISHES : SEE TABLE 1
- 2. 製品仕様書 : 5019390000-PS PS 003  
PRODUCT SPECIFICATION:
- 3. 梱包形態 : SEE SHEET 4  
PACKAGING INFORMATION:
- 4. 嵌合相手 : 501939 シリーズ  
MATES WITH : 501939 SERIES
- 5. アプリケーション仕様書(コネクタ取扱い説明書) : 5013300000-AS PS 001  
APPLICATION SPECIFICATION(CONNECTOR MANUAL):
- 6. ソルダーピン及びネイルの平坦度: 0.1 MAX  
SOLDER PIN AND NAIL COPLANARITY:
- 7. 偶数極に適応  
APPLY FOR EVEN CIRCUIT
- 8. 錫めっき品は2083830000-SD PSD 001の図面を御参照下さい。  
PLEASE REFER TO THE DRAWING OF 2083830000-SD PSD 001 FOR TIN PLATING VERSION

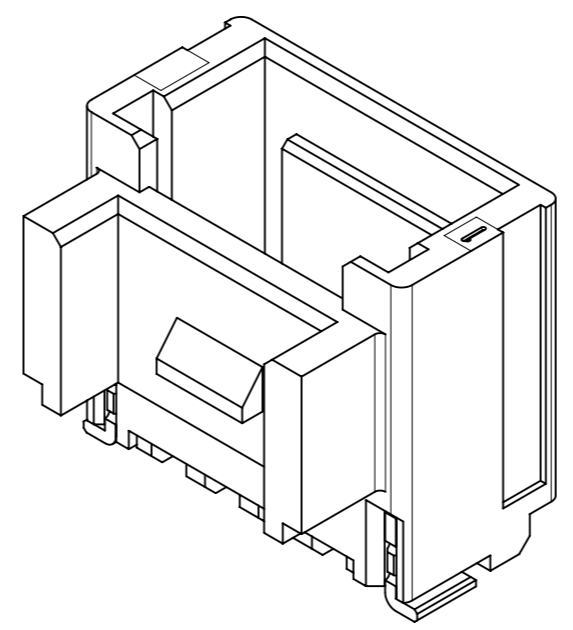
9. 製品番号構成 : 発注番号はSHEET 5 参照  
PRODUCT NUMBER COMPOSITION  
ORDER No. : SEE SHEET 5

**208383** \* \* \* \*

極数 CIRCUIT SIZE	ハウジングカラー HOUSING COLOR	製品識別番号(めっき厚) IDENTIFICATION NUMBER (PLATING THICKNESS)
	0:NATURAL(BEIGE) 1:BLACK	7: 0.1 MICRO-METER MIN 5: 0.38 MICRO-METER MIN 3: 0.76 MICRO-METER MIN

TABLE 1

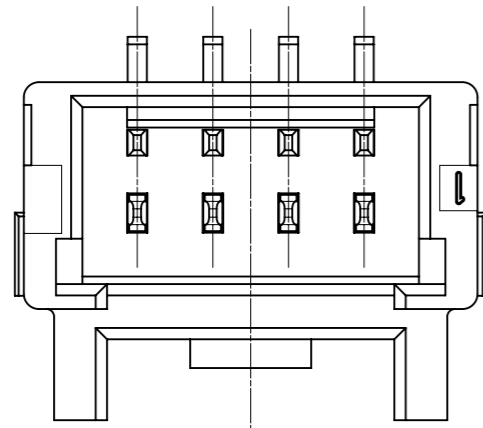
番号 NO.	部品 PART	材質 MATERIAL	
1	ウエハー WAFER	ポリアミド(PA), ガラス充填, UL94V-0, LOW HALOGEN, 色 : SEE SHEET 5 POLYAMIDE(PA), GLASS FILLED, UL94V-0, LOW HALOGEN, COLOR : SEE SHEET 5	
2	ソルダーピン SOLDER PIN	リン青銅 PHOSPHOR BRONZE	
		接点部 CONTACT AREA	金めっき : めっき厚はNOTES 9参照 GOLD PLATING : SEE NOTES 9 ABOUT THICKNESS
		テール部 TAIL AREA	金めっき GOLD PLATING
3	ネイル NAIL	下地めっき UNDER PLATING	ニッケルめっき : 1.0 MICRO-METER MIN NICKEL PLATING
		テール部 TAIL AREA	錫めっき : 1.0 MICRO-METER MIN MATTE TIN PLATING
4	カバーテープ COVER TAPE	下地めっき UNDER PLATING	ニッケルめっき : 1.0 MICRO-METER MIN NICKEL PLATING
		ポリイミドテープ POLYIMIDE TAPE	



5.2	6.5	4.0	7.0	5
	5.5	3.0	6.0	4
4.2	4.5	2.0	5.0	3
D	C	B	A	極数 CIRCUIT SIZE

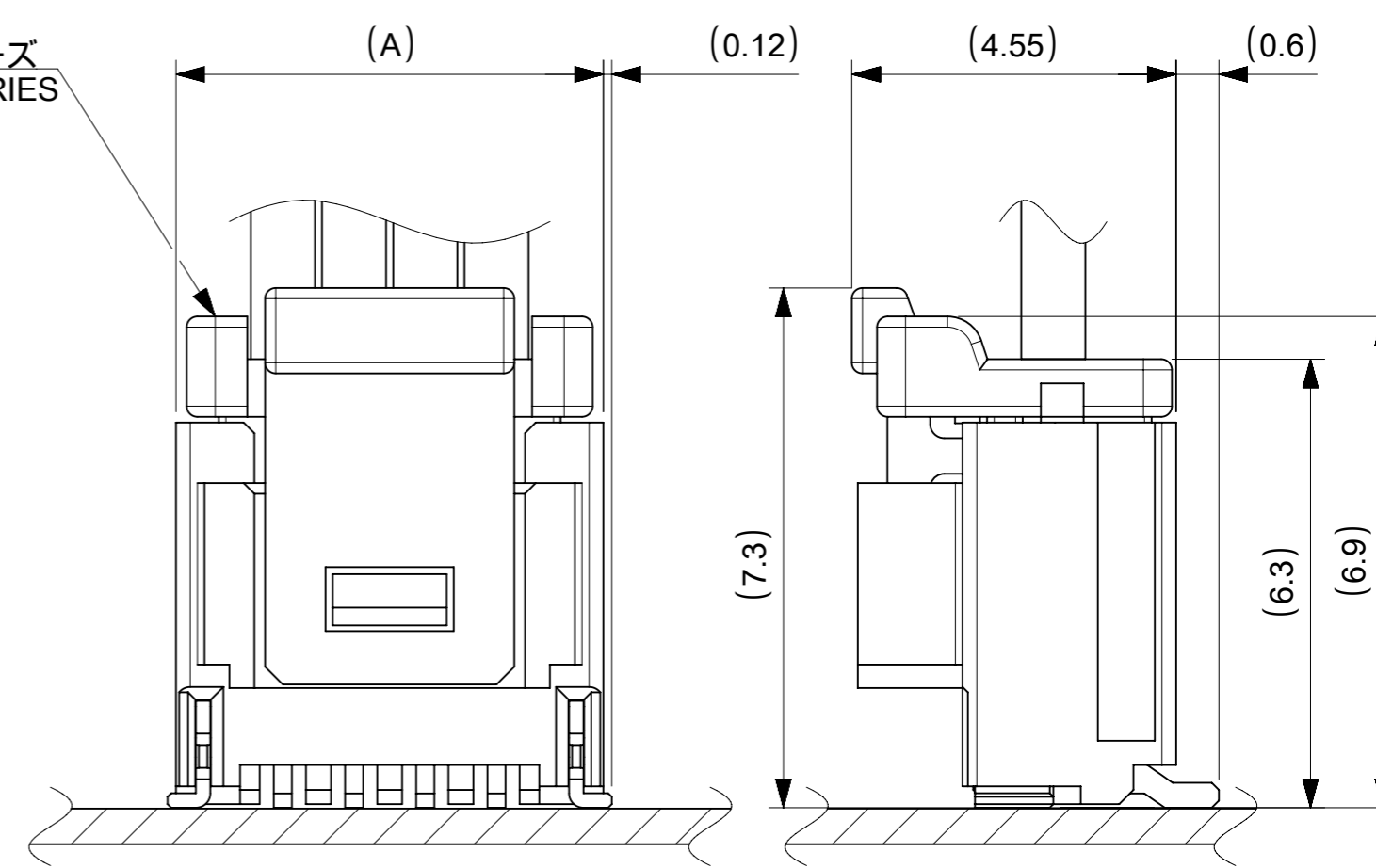
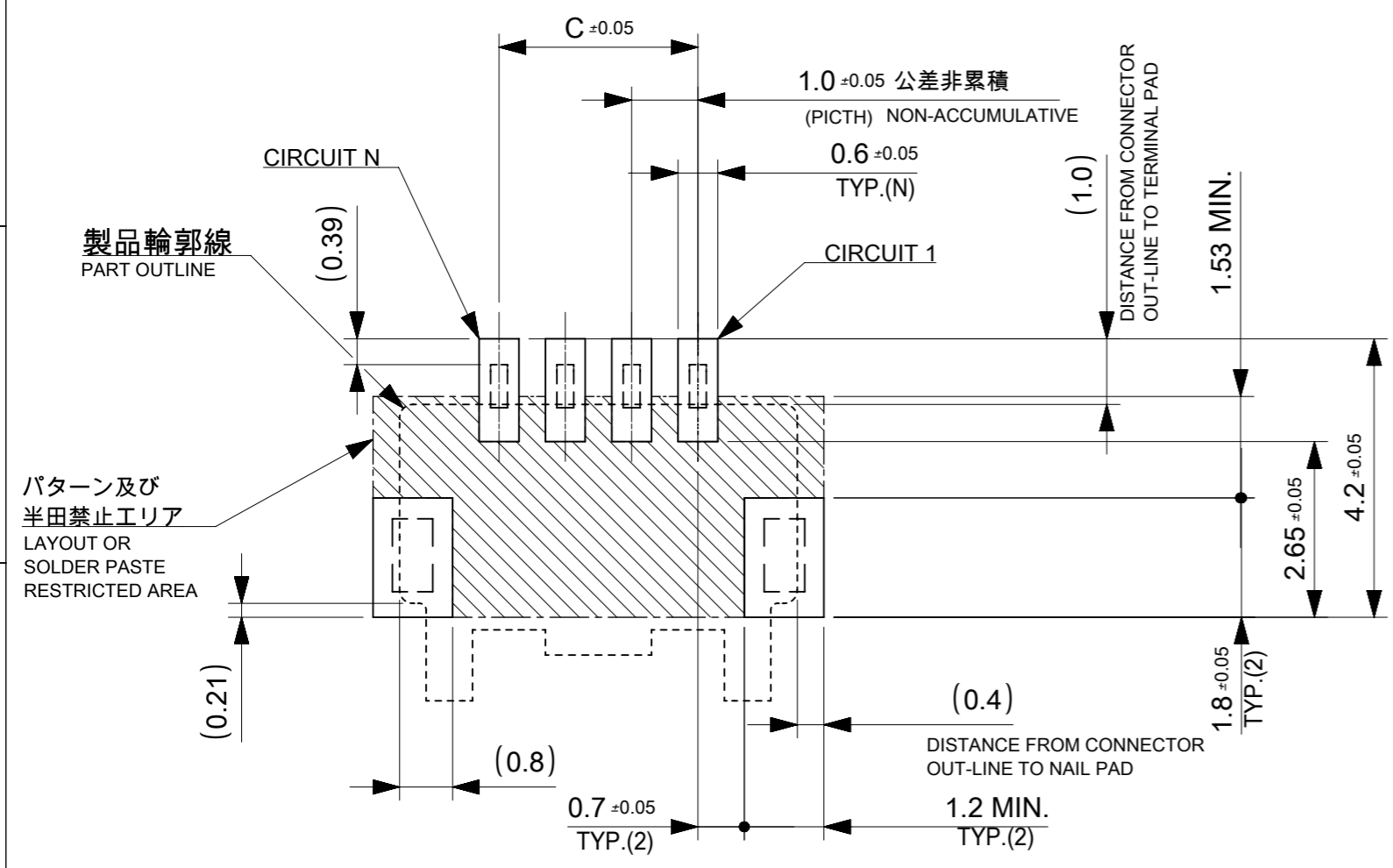
THIS DRAWING CONTAINS INFORMATION THAT IS PROPRIETARY TO MOLEX ELECTRONIC TECHNOLOGIES, LLC AND SHOULD NOT BE USED WITHOUT WRITTEN PERMISSION

DIMENSION UNITS	SCALE	CURRENT REV DESC:		<b>molex</b>		
mm	NTS					
GENERAL TOLERANCES (UNLESS SPECIFIED)		EC NO: 630585		PICO-CLASP 1.0 W/B		
ANGULAR TOL ± 3.0°		DRWN: AISHIKAWA 2019/10/11		SINGLE ROW VT SMT OUTER LOCK GOLD PLATING		
4 PLACES ± 0.2		CHK'D: AIDA 2020/01/21		LOW HALOGEN		
3 PLACES ± 0.2		APPR: SAKIYAMA 2020/01/21		PRODUCT CUSTOMER DRAWING		
2 PLACES ± 0.2		INITIAL REVISION:		DOCUMENT NUMBER		
1 PLACE ± 0.2		DRWN: AISHIKAWA 2019/10/11		2083830000-SD		
0 PLACES ± 0.2		APPR: SAKIYAMA 2020/01/21		PSD 000 A		
DRAFT WHERE APPLICABLE MUST REMAIN WITHIN DIMENSIONS		THIRD ANGLE PROJECTION	DRAWING	SERIES	MATERIAL NUMBER	CUSTOMER
			A3-SIZE	208383	SEE SHEET 5	SHEET NUMBER
						1 OF 5



製品レイアウト  
PRODUCT LAYOUT

△4 嵌合相手 : 501939 シリーズ  
MATE WITH : 501939 SERIES

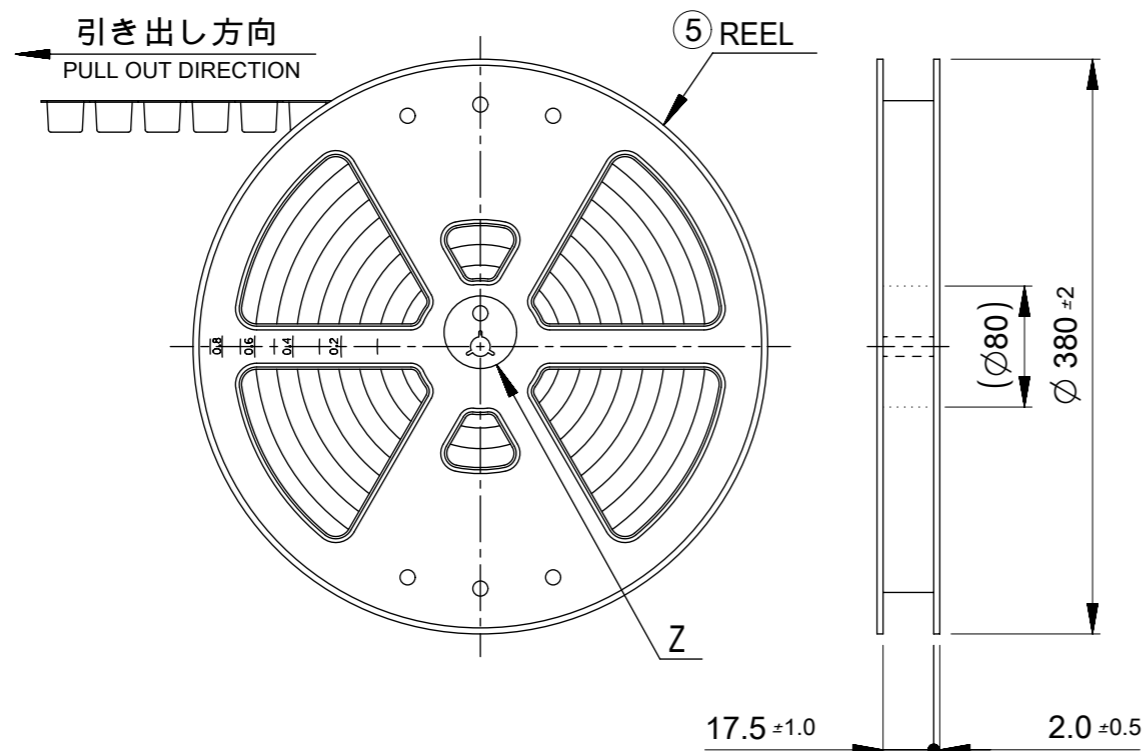


嵌合図  
MATED CONNECTORS

推奨基板レイアウト(全極数適応) : 実装面側  
(参考 : 基板厚 1.0mm, メタルマスク厚さ 0.12mm, マスク開口率100%)  
POLARIZED RECOMMENDED PCB LAYOUT(APPLY TO ALL CIRCUIT) : COMPONENT SIDE  
(REFERENCE: PCB THICKNESS 1.0mm, STENCIL THICKNESS 0.12mm, APERTURE RATIO 100%)

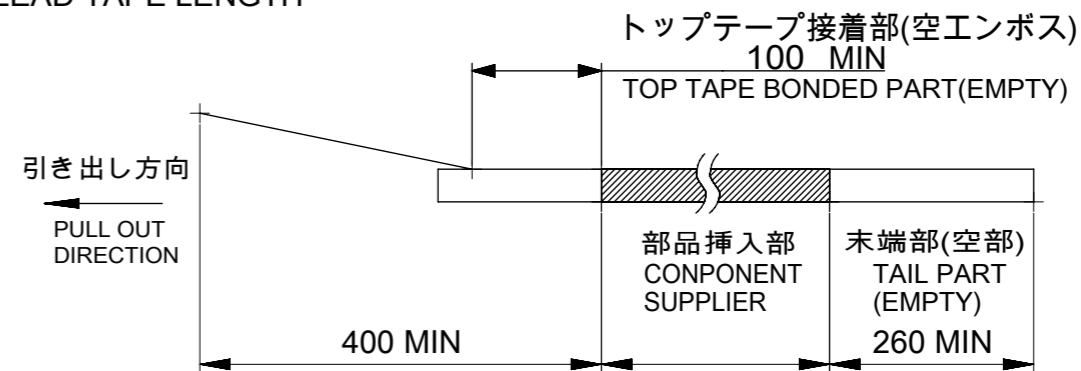
:パターン禁止エリア  
RESTRICTED AREA  
NO PCB COMPONENTS ALLOWED

THIS DRAWING CONTAINS INFORMATION THAT IS PROPRIETARY TO MOLEX ELECTRONIC TECHNOLOGIES, LLC AND SHOULD NOT BE USED WITHOUT WRITTEN PERMISSION		CURRENT REV DESC:		<b>molex</b>		
DIMENSION UNITS	SCALE					PICO-CLASP 1.0 W/B SINGLE ROW VT SMT OUTER LOCK GOLD PLATING LOW HALOGEN
mm	NTS			PRODUCT CUSTOMER DRAWING		
GENERAL TOLERANCES (UNLESS SPECIFIED)		EC NO: 630585		DOCUMENT NUMBER		
ANGULAR TOL	± 3.0 °	DRWN: AISHIKAWA 2019/10/11		2083830000-SD		
4 PLACES	± 0.2	CHK'D: AIDA 2020/01/21		DOC TYPE		
3 PLACES	± 0.2	APPR: SAKIYAMA 2020/01/21		PSD		
2 PLACES	± 0.2	INITIAL REVISION:		DOC PART		
1 PLACE	± 0.2	DRWN: AISHIKAWA 2019/10/11		000		
0 PLACES	± 0.2	APPR: SAKIYAMA 2020/01/21		REVISION		
DRAFT WHERE APPLICABLE MUST REMAIN WITHIN DIMENSIONS		THIRD ANGLE PROJECTION	DRAWING	SERIES	MATERIAL NUMBER	CUSTOMER
			A3-SIZE	208383	SEE SHEET 5	
				SHEET NUMBER	2 OF 5	

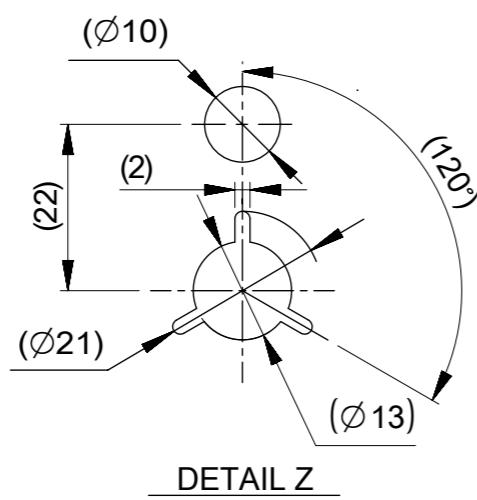


**NOTES**

- 10. 梱包数量:1100個/リール  
NUMBER OF CONNECTORS : 1100 PIECES/REEL
- 11. リードテープ長さ  
LEAD TAPE LENGTH



- 12. トップテープの剥離強度はIEC60286-3に準拠。  
TOP TAPE PEELING FORCE IS DEFINED BY IEC60286-3.
- 13. 梱包仕様書 : 2083839200-SPK PS 200  
PACKAGE SPECIFICATION:



THIS DRAWING CONTAINS INFORMATION THAT IS PROPRIETARY TO MOLEX ELECTRONIC TECHNOLOGIES, LLC AND SHOULD NOT BE USED WITHOUT WRITTEN PERMISSION		CURRENT REV DESC:		<b>molex</b>	
DIMENSION UNITS	SCALE				
mm	NTS			PICO-CLASP 1.0 W/B SINGLE ROW VT SMT OUTER LOCK GOLD PLATING LOW HALOGEN	
GENERAL TOLERANCES (UNLESS SPECIFIED)		EC NO: 630585		PRODUCT CUSTOMER DRAWING	
ANGULAR TOL	± 3.0 °	DRWN: AISHIKAWA	2019/10/11	DOCUMENT NUMBER	
4 PLACES	± 0.2	CHK'D: AIDA	2020/01/21	2083830000-SD	
3 PLACES	± 0.2	APPR: SAKIYAMA	2020/01/21	DOC TYPE	DOC PART
2 PLACES	± 0.2	INITIAL REVISION:		000	A
1 PLACE	± 0.2	DRWN: AISHIKAWA	2019/10/11	REVISION	
0 PLACES	± 0.2	APPR: SAKIYAMA	2020/01/21	SEE SHEET 5	
DRAFT WHERE APPLICABLE MUST REMAIN WITHIN DIMENSIONS		THIRD ANGLE PROJECTION	DRAWING	SERIES	MATERIAL NUMBER
			A3-SIZE	208383	CUSTOMER
				SEE SHEET 5	SHEET NUMBER
					3 OF 5

番号 NO.	部品 PART	材質 MATERIAL
⑤	リール REEL	ポリスチレン(PS) <リサイクル材を含む> POLYSTYRENE(PS) <RECYCLE MATERIAL CONTAINED>
DOCUMENT STATUS	P1	RELEASE DATE 2020/01/21 04:06:38

引き出し方向  
PULL OUT DIRECTION

16mm幅テープ  
TAPE WIDTH:16mm

⑦ TOP TAPE

CONNECTOR

⑥ CARRIER TAPE

SECTION Y-Y

(7.5) コネクター中心位置  
CENTER OF CONNECTOR

SECTION X-X

12.0 ±0.1

(5.65)

(2.55)

0.5 ±0.05

(5.65)

(5.8)

(6.8)

16.0 ±0.3

CIRCUIT 1

∅1.5<sup>+0.1</sup><sub>0.0</sub>

1.75 ±0.1

(2.0) エンボスポケット中心位置  
CENTER OF EMBOSSED POCKET

累積ピッチ : 40 ±0.2  
ACUUMLATIVE PITCH:

4.0 ±0.1

8.3	5
7.3	4
6.3	3
D	極数 CIRCUIT SIZE

THIS DRAWING CONTAINS INFORMATION THAT IS PROPRIETARY TO MOLEX ELECTRONIC TECHNOLOGIES, LLC AND SHOULD NOT BE USED WITHOUT WRITTEN PERMISSION		CURRENT REV DESC:		<b>molex</b>	
DIMENSION UNITS	SCALE	EC NO: 630585			
mm	NTS	DRWN: AISHIKAWA 2019/10/11		SINGLE ROW VT SMT OUTER LOCK GOLD PLATING LOW HALOGEN	
GENERAL TOLERANCES (UNLESS SPECIFIED)		CHK'D: AIDA 2020/01/21		PRODUCT CUSTOMER DRAWING	
ANGULAR TOL	± 3.0 °	APPR: SAKIYAMA 2020/01/21		DOCUMENT NUMBER	
4 PLACES	± 0.2	INITIAL REVISION:		2083830000-SD	
3 PLACES	± 0.2	DRWN: AISHIKAWA 2019/10/11		DOC TYPE	
2 PLACES	± 0.2	APPR: SAKIYAMA 2020/01/21		PSD	
1 PLACE	± 0.2	MATERIAL NUMBER		000	
0 PLACES	± 0.2	CUSTOMER		A	
DRAFT WHERE APPLICABLE MUST REMAIN WITHIN DIMENSIONS		THIRD ANGLE PROJECTION	DRAWING	SERIES	SHEET NUMBER
			A3-SIZE	208383	4 OF 5

番号 NO.	部品 PART	材質 MATERIAL
⑥	キャリアテープ CARRIER TAPE	ポリプロピレン(PP)、その他 POLYPROPYLEN(PP), etc
⑦	トップテープ TOP TAPE	ポリエチレン(PE)、その他 POLYETHYLENE(PE), etc

DOCUMENT STATUS	P1	RELEASE DATE	2020/01/21	04:06:38
-----------------	----	--------------	------------	----------

E

D

C

B

A

△ 製品一覧 PRODUCT LIST

0.76 MICRO-METER		0.38 MICRO-METER		0.1 MICRO-METER		金めつき厚 GOLD PLATING THICKNESS
黒 BLACK	自然色 NATURAL(BEIGE)	黒 BLACK	自然色 NATURAL(BEIGE)	黒 BLACK	自然色 NATURAL(BEIGE)	色 COLOR
208383 0513	208383 0503	208383 0515	208383 0505	208383 0517	208383 0507	5
208383 0413	208383 0403	208383 0415	208383 0405	208383 0417	208383 0407	4
208383 0313	208383 0303	208383 0315	208383 0305	208383 0317	208383 0307	3
発注番号 ORDER No.						極数 CIRCUIT SIZE
PACKAGING STYLE : EMBOSSED TAPE AND REEL						

THIS DRAWING CONTAINS INFORMATION THAT IS PROPRIETARY TO MOLEX ELECTRONIC TECHNOLOGIES, LLC AND SHOULD NOT BE USED WITHOUT WRITTEN PERMISSION											
DIMENSION UNITS		SCALE		CURRENT REV DESC:				<b>molex</b>		PICO-CLASP 1.0 W/B SINGLE ROW VT SMT OUTER LOCK GOLD PLATING LOW HALOGEN	
mm		NTS									
GENERAL TOLERANCES (UNLESS SPECIFIED)											
ANGULAR TOL		± 3.0 °		EC NO: 630585				2019/10/11		DOCUMENT NUMBER	
4 PLACES		± 0.2		DRWN: AISHIKAWA							
3 PLACES		± 0.2		CHK'D: AIDA							
2 PLACES		± 0.2		APPR: SAKIYAMA				2020/01/21		PRODUCT CUSTOMER DRAWING	
1 PLACE		± 0.2		INITIAL REVISION:				2019/10/11		DOC TYPE	
0 PLACES		± 0.2		DRWN: AISHIKAWA				2020/01/21		DOC PART	
DRAFT WHERE APPLICABLE MUST REMAIN WITHIN DIMENSIONS				THIRD ANGLE PROJECTION		DRAWING		SERIES		REVISION	
						A3-SIZE		208383		A	
MATERIAL NUMBER				CUSTOMER		SHEET NUMBER		2083830000-SD		5 OF 5	
SEE SHEET 5											