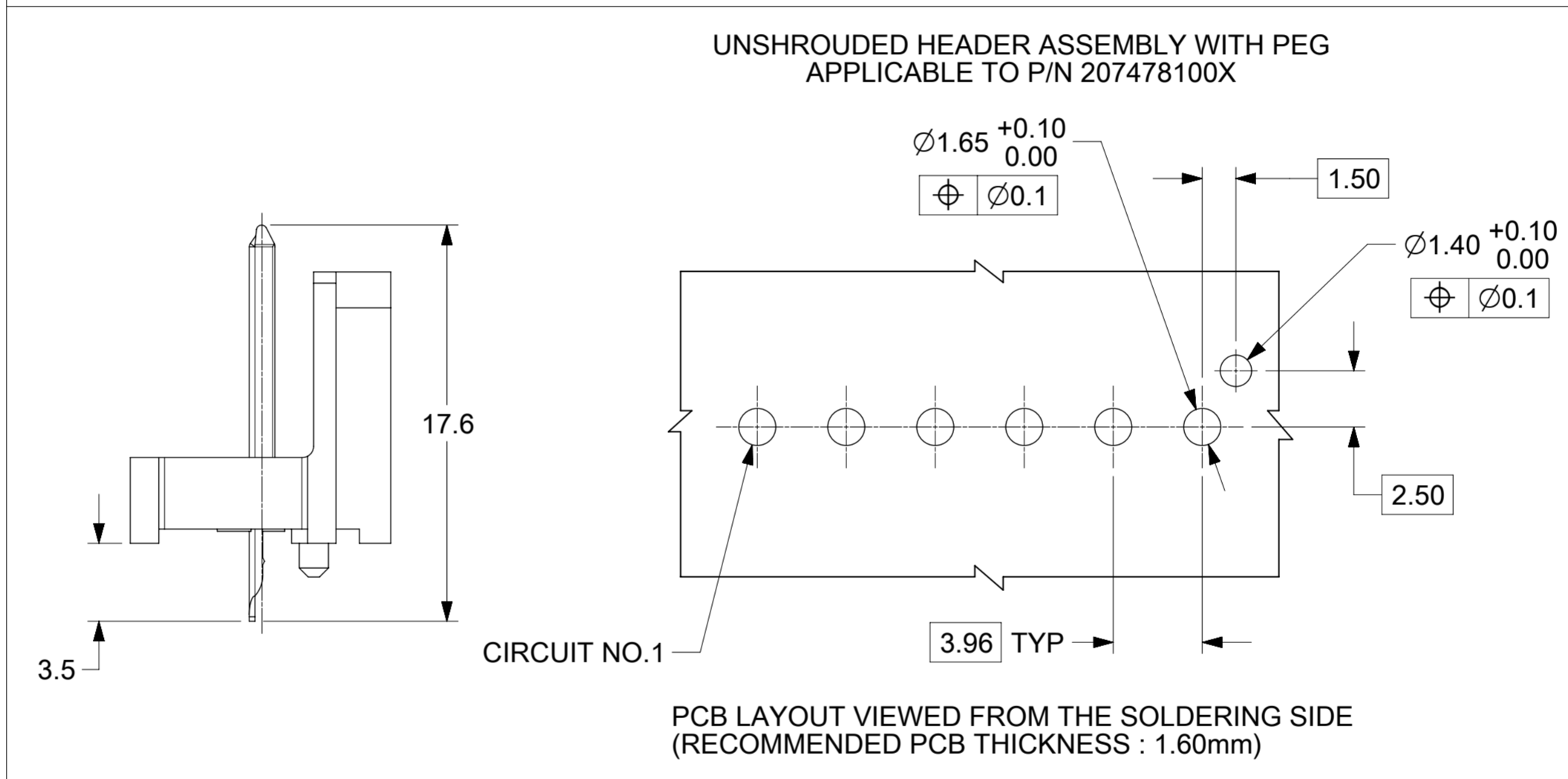
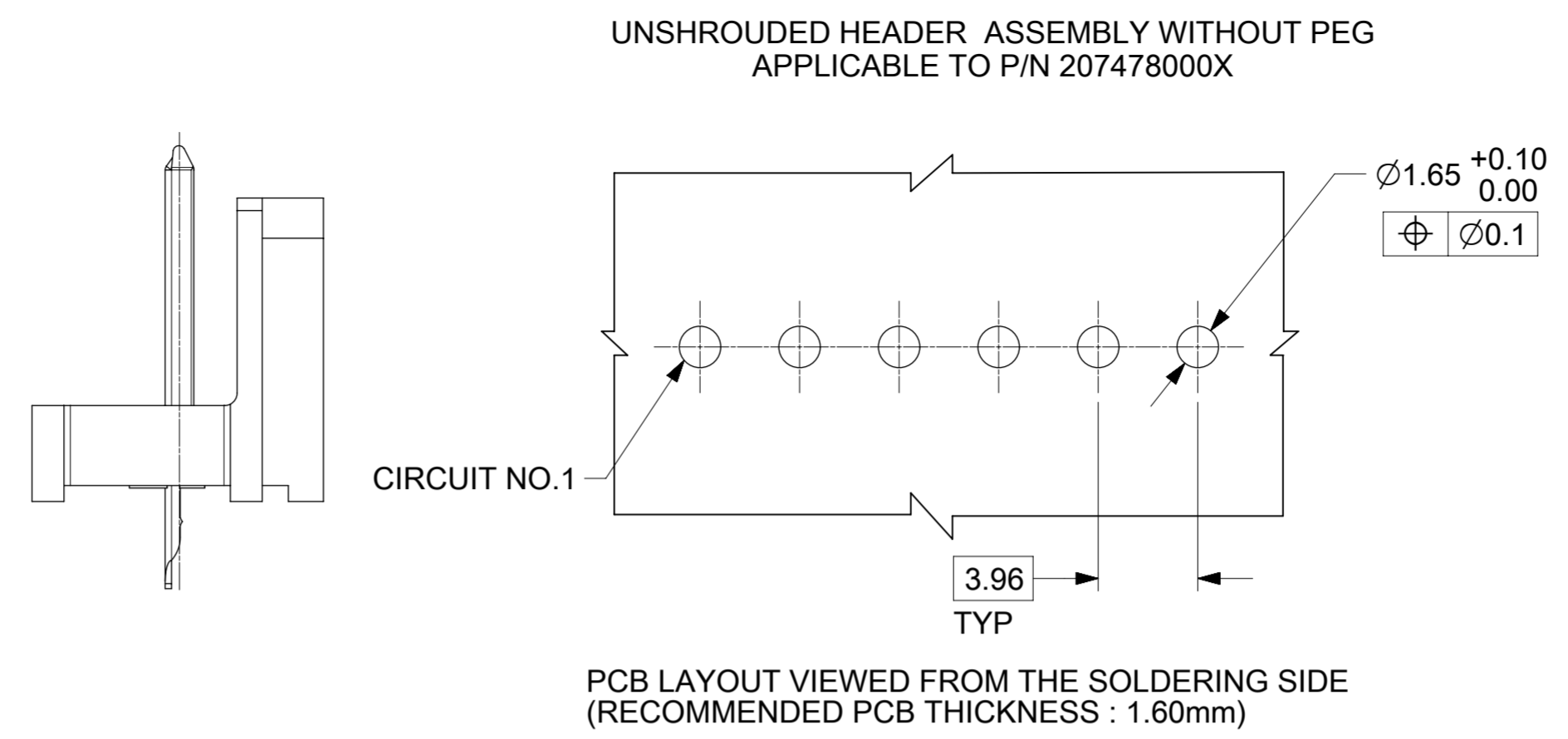
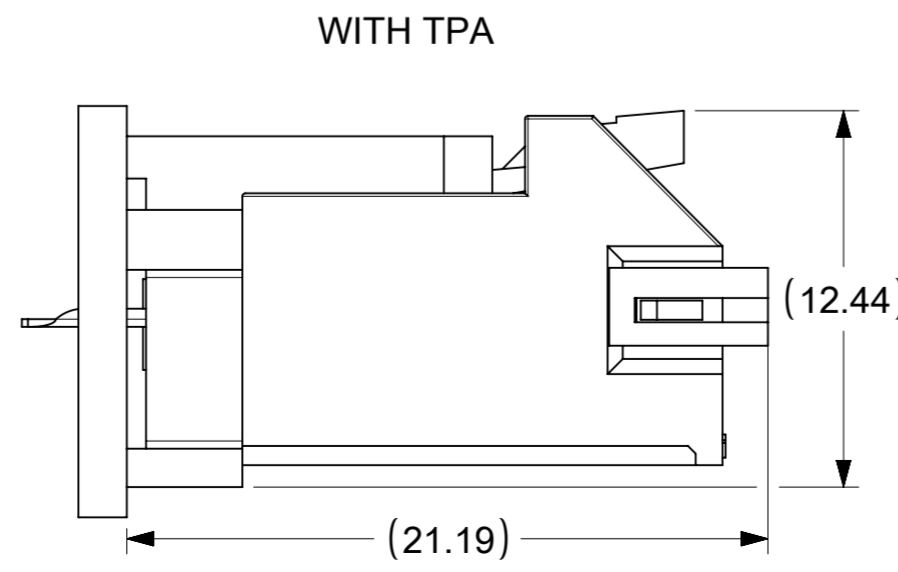
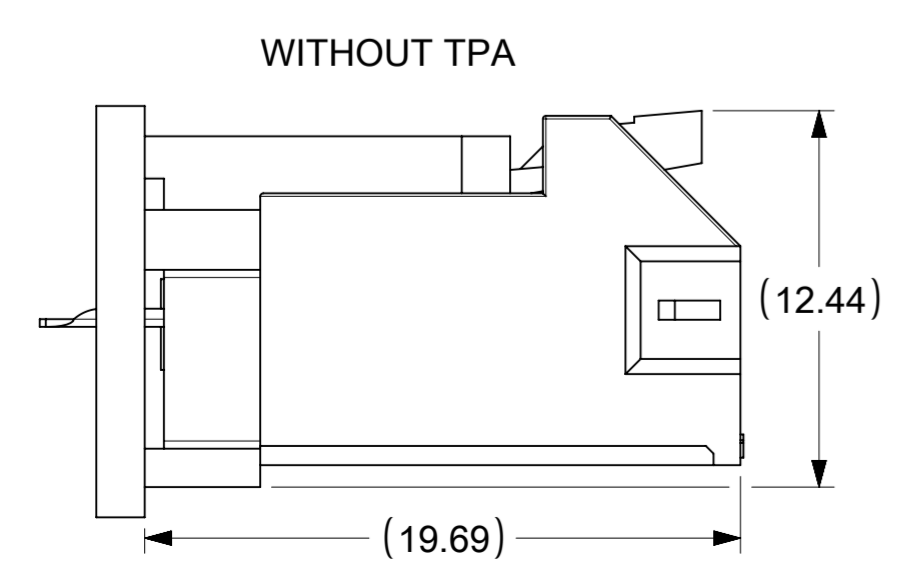
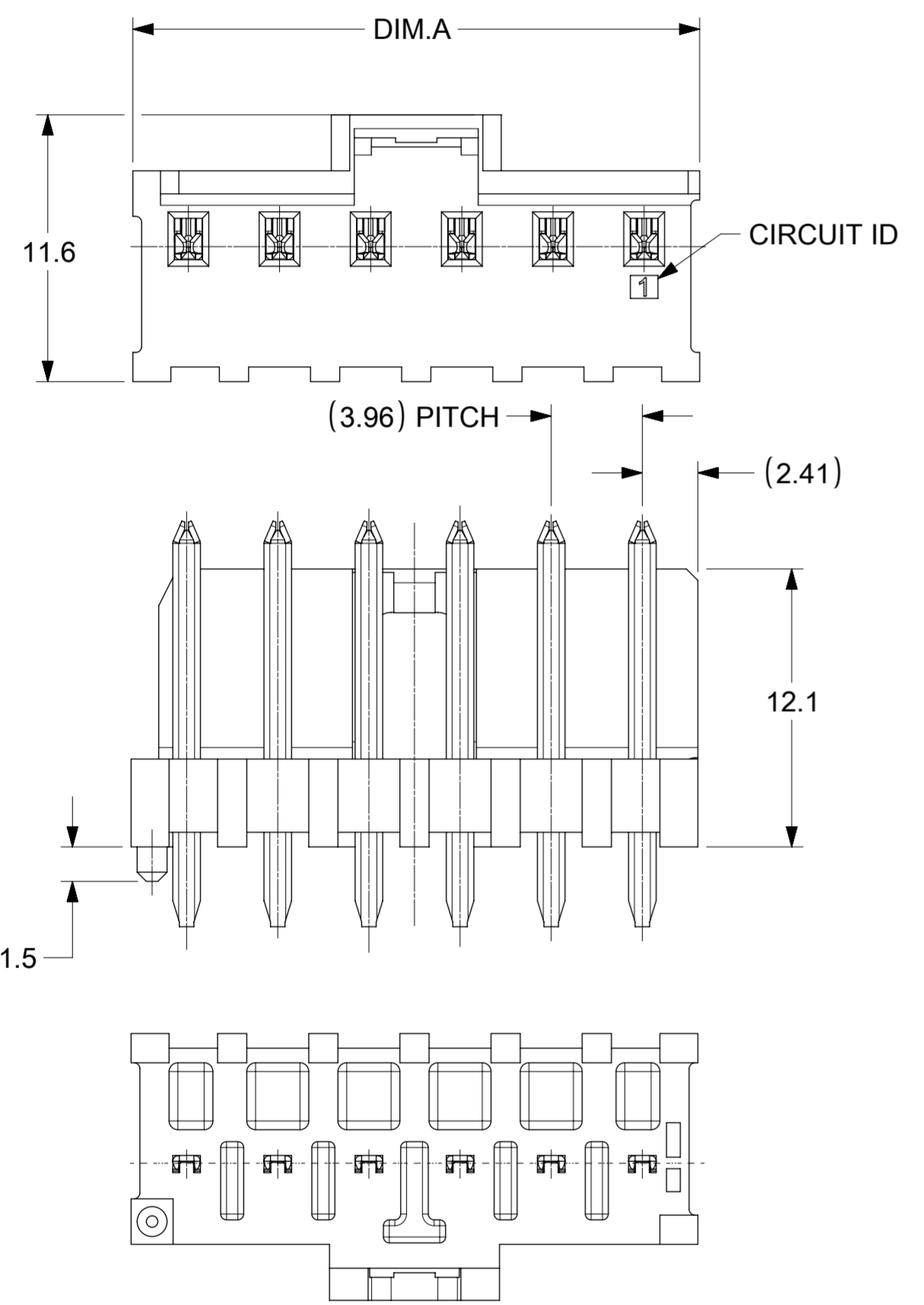


HOUSING TYPE	CIRCUIT SIZE	HEADER ASSY P/N	DIM. A
UNSHROUDED HEADER ASSY WITH PEG	02	2074781002	8.79
	03	2074781003	12.75
	04	2074781004	16.71
	05	2074781005	20.68
	06	2074781006	24.64
UNSHROUDED HEADER ASSY WITHOUT PEG	02	2074780002	8.79
	03	2074780003	12.75
	04	2074780004	16.71
	05	2074780005	20.68
	06	2074780006	24.64



- NOTES:
- MATERIAL:
    - HOUSING: LIQUID CRYSTAL POLYMER. RATED UL94V-0, COLOR-BLACK
    - TERMINAL: BRASS ALLOY  
PLATING: TIN OVER COPPER OVERALL
  - PRODUCT SPECIFICATION: 2074580000-PS
  - PACKAGING SPECIFICATION: 2074790000-PK
  - COSMETIC SPECIFICATION: PS-45499-002 CLASS B

THIS DRAWING CONTAINS INFORMATION THAT IS PROPRIETARY TO MOLEX ELECTRONIC TECHNOLOGIES, LLC AND SHOULD NOT BE USED WITHOUT WRITTEN PERMISSION									
DIMENSION UNITS <b>mm</b>		SCALE <b>4:1</b>		CURRENT REV DESC:					
GENERAL TOLERANCES (UNLESS SPECIFIED)				EC NO: 647622		DRWN: SMAHAJANSHET 2020/10/22		<b>molex</b>	
ANGULAR TOL ± 0.5°				4 PLACES ±		CHK'D: NCSR 2020/10/23			
3 PLACES ±				2 PLACES ± 0.2		APPR: NCSR 2020/10/23		L1NK 396 UNSHROUDED HEADER ASSY WITH AND WITHOUT PEG	
1 PLACE ± 0.25				INITIAL REVISION:		DRWN: GGUNAGI 2018/09/19		PRODUCT CUSTOMER DRAWING	
0 PLACES ±				APPR: NCSR		2019/02/05		DOCUMENT NUMBER <b>2074781000-SD</b>	
DRAFT WHERE APPLICABLE MUST REMAIN WITHIN DIMENSIONS		THIRD ANGLE PROJECTION		DRAWING <b>A2-SIZE</b>		SERIES <b>207478</b>		DOC TYPE   DOC PART   REVISION PSD   000   C	
				MATERIAL NUMBER SEE TABLE		CUSTOMER GENERAL MARKET		SHEET NUMBER 1 OF 1	

DOCUMENT STATUS	P1	RELEASE DATE	2020/10/23	10:59:48
-----------------	----	--------------	------------	----------